

# Specification sheet

## XD 220

FA 4X2 Rigid, Electric



### ENGINES

XD Electric 170 PACCAR EX-D1 (170 kW / 210 kWh   315 kWh   420 kWh   525 kWh)	
XD Electric 220 PACCAR EX-D1 (220 kW / 315 kWh   420 kWh   525 kWh)	
XD Electric 270 PACCAR EX-D1 (270 kW / 315 kWh   420 kWh   525 kWh)	
XD Electric 270 PACCAR EX-D2 (270 kW / 315 kWh   420 kWh   525 kWh)	
XD Electric 310 PACCAR EX-D2 (310kW / 420 kWh   525 kWh)	
XD Electric 350 PACCAR EX-D2 (350kW / 420 kWh   525 kWh)	

### GVM<sup>1)</sup>

18000 kg

Max. front 8000 kg

Max. rear 11500 kg

### GCM<sup>2)</sup>

21500 kg

## CAB EXTERIOR

Luxurious Day Cab with unrivalled aerodynamics for fuel efficient driving and low CO2 emissions. The huge and deep frontscreen, curved at the sides combined with large side windows offer an unsurpassed direct view for the driver, to enhance road safety. Cab length: 2030 mm; cab width: 2500 mm.; Cab suspension mechanical; LED head lights; DAF Corner View.

### Optional

<b>07018</b> Sleeper Cab	<b>01836</b> LED Skylights
<b>06244</b> Sleeper High Cab	<b>00949</b> LED Skylights; aux. LED lights on cab rf, prepared
<b>02889</b> Chassis front execution: no bottom plate	<b>01925</b> Two LED work lamps for cab rear wall
<b>02952</b> Chassis front execution: bottom plate aero	<b>01891</b> Hazard beacons on cab front, prepared
<b>07586</b> Chassis front execution: robust	<b>06629</b> Two hazard beacon lights
<b>01226</b> Cab suspension air	<b>03232</b> Front windscreen with solar control foil
<b>03358</b> External sun visor	<b>03317</b> Rear window: double glass
<b>03922</b> Fog lights front	<b>07343</b> Kerb view window co-driver door
<b>00936</b> Auxiliary LED lights on cab roof, prepared	<b>01362</b> DAF Digital Vision System

## AERODYNAMICS

### Optional

<b>00008</b> Adj. roof air deflector short Sleeper High Cab	<b>00082</b> Adj. roof air deflector for Day Cab
<b>00124</b> Adj. rf air defl.long mid >4m(!) Sleeper High Cab	<b>00097</b> Adj. roof air deflector for Sleeper Cab
<b>01538</b> Adj. roof air defl. long high >4m(!) Sleeper High	<b>00020</b> Adj. roof air deflector long low Sleeper High Cab
<b>02662</b> Adj. roof air defl. long mid XD Sleeper High Cab	

## COLOURS

Cab colour E1980 Crystal White; Chassis colour grey.; Colour of bumper: Crystal White.

## CAB INTERIOR

Cab interior trim colour: Luxury; Dashboard finish: Vision; Cab interior decoration: Hexagon; Driver seat: Comfort Air; Co-driver seat: cinema with fabric cover; No dashboard table; Storage compartment in centre; Automatic Temperature Control and airco; Auxiliary cab heater (water).

### Optional

<b>02354</b> Steering wheel with silver accents	<b>02117</b> Third seat
<b>02355</b> Steering wheel, leather	<b>02837</b> Dashboard table
<b>02353</b> Cab interior decoration: Argenta	<b>03948</b> Single drawer
<b>02350</b> Cab interior decoration: Natura	<b>03954</b> Refrigerator
<b>07733</b> Driver seat: Luxury Air	<b>02838</b> Foam mattress for lower bunk
<b>07736</b> Driver seat: Super Air	<b>02854</b> Xtra Comfort mattress for lower bunk
<b>07737</b> Driver seat: Xtra Leather Air	<b>01775</b> Xtra Comfort mattress with topper for lower bunk
<b>09541</b> Arm rest driver seat	<b>06970</b> Automatic Cab Climate Control
<b>01740</b> Arm rest at both sides of the driver seat	

## COMMUNICATION AND DRIVING MANAGEMENT

PACCAR Connect; Tachograph digital, Stoneridge 1C version G2V2; Speed limiter setting 85/90 km/h; DAF Infotainment Luxury with Luxury speakers; Adaptive Cruise Control with FCW and AEBS-3; Driver Performance Assistant.

### Optional

<b>09681</b> Preparation for Maut	<b>01915</b> DAF Infotainment System: Luxury Plus
<b>06211</b> DAF Infotainment System with FM/DAB/DAB+ radio	<b>06991</b> Predictive Cruise Control
<b>03470</b> DAF Infotainment System: Exclusive, prepared	<b>06992</b> Predictive Cruise Control lite

## SAFETY AND SECURITY

Lane Departure Warning System; Vehicle Stability Control (VSC); Basic engine immobiliser system; No EC-ADR packages; DAF Side & Turn Assist.

### Optional

<b>08631</b> Air bag (driver) and 2 seat belt tensioners
--

## SUSPENSION AND AXLES

Front: 8.00 t, parabolic, 163N; Rear axle load 13.00 t; Rear: air suspension, SR1344; No lifting device.

### Optional

<b>06257</b> Front axle load 9.00 t	<b>04647</b> Front springs air
<b>06095</b> Front axle load 10.00 t	<b>08191</b> Axle load monitoring

## WHEELS AND TYRES

Driven rear axle(s): 315/70R22.5; F1,315/70R22.5GO FMXSE 156/150 L Steering BBA 3P; R1,315/70R22.5GO FMXDE 154/150 L Traction BBA 3P.

### Optional

<b>16152</b> Tyre makes and types
-----------------------------------

## DRIVELINE

Electric motor type EX-D1; 220 kW; 150 kW DC charging; Battery Electric Vehicle; Rear axle ratio 2.05.

### Optional

<b>01656</b> Electric motor type EX-D2	<b>01749</b> Charging: 150 kW DC + 22 kW AC
<b>01664</b> 170 kW	<b>01756</b> 325 kW DC charging
<b>01686</b> 270 kW	<b>03677</b> Charging: 325 kW DC + 22 kW AC
<b>01691</b> 310 kW	<b>01514</b> Urge-to-move
<b>01692</b> 350 kW	<b>02843</b> Mechanical differential lock

## BRAKE SYSTEM

Ventilated disc brakes front and rear. Dual circuit air system with electronic control (EBS). Electric driven, water cooled air compressor with automatic air heated dryer..

### Optional

<b>04901</b> Spring brake cylinders on the first front axle
---

## CHASSIS

Wheelbase 4.30 m / rear overhang 1.80 m; Side member height 260 mm; Standard component location; 3 HV battery packs; HV battery pack left, position 2; HV battery pack right, position 2; Front underrun protection (FUP); Spray suppression.

### Optional

- |   |  |
|---|--|
| <b>02601</b> Side member height 310 mm                | <b>01762</b> HV battery packs left, positions 2 and 3  |
| <b>01696</b> 2 HV battery packs                       | <b>01779</b> HV battery pack right, position 1         |
| <b>01699</b> 4 HV battery packs                       | <b>01791</b> HV battery packs right, positions 1 and 2 |
| <b>01701</b> 5 HV battery packs                       | <b>01799</b> HV battery packs right, positions 2 and 3 |
| <b>01634</b> HV battery pack left, position 1         | <b>01658</b> No HV battery packs right                 |
| <b>01759</b> HV battery packs left, positions 1 and 2 | <b>16157</b> Fuel tanks, material and sizes            |

## DRAWBAR AND TRAILER EQUIPMENT

Closing member D-value = 0kN.

### Optional

- |  |  |
|--|--|
| <b>07033</b> Trailer coupling Ringfeder D=13.7 | <b>08027</b> Trailer coupling Rockinger D=20.0 |
| <b>07034</b> Trailer coupling Ringfeder D=20.0 | <b>04659</b> Trailer cable EBS                 |
| <b>08026</b> Trailer coupling Rockinger D=13.0 |  |

## BODIES AND PREPARATIONS FOR BODYING

Application connector chassis.

### Optional

- |   |                                    |
|---|------------------------------------|
| <b>09421</b> Additional spare wiring                    | <b>08121</b> Tail lift application |
| <b>09240</b> Application connector for refuse collector |                                    |

## POWER TAKE-OFF (PTO)

### Optional

- |   |   |
|---|---|
| <b>01809</b> E-PTO socket 650V DC < 25 kW | <b>04320</b> E-PTO socket 650V DC < 90 kW |
|---|---|

## 24V POWER SUPPLY

Batteries 2x 175 Ah..

### Optional

- |   |                                |
|---|--------------------------------|
| <b>07671</b> Batteries 2x210Ah AGM C-type | <b>06440</b> Batteries 2x230Ah |
|---|--------------------------------|

## GVM AND GCM

Chassis weight related technical GVM max 20500 kg; Driveline related max GCM 21500 kg.

### Optional

- |   |   |
|---|---|
| <b>01933</b> Driveline related max GCM 42000 kg | <b>02200</b> Driveline related max GCM 46000 kg class 2 |
| <b>01937</b> Driveline related max GCM 46000 kg | <b>03675</b> Driveline related max GCM 50000 kg class 3 |

## APPLICATION CONDITIONS

### Optional

- |                                   |                                       |
|-----------------------------------|---------------------------------------|
| <b>02260</b> Extra cab insulation | <b>06614</b> Anti-dust blow-up shield |
|-----------------------------------|---------------------------------------|

## SERVICE AND MAINTENANCE

Standard Warranty takes care of 1 year complete vehicle as supplied by the OEM (excl. real wear parts), 2nd year driveline and 1st year breakdown.; ITS service.

## VEHICLE DELIVERY

Minimum toolkit.

### Optional

- 07569** Lifting jack

## OPTION PACKAGES

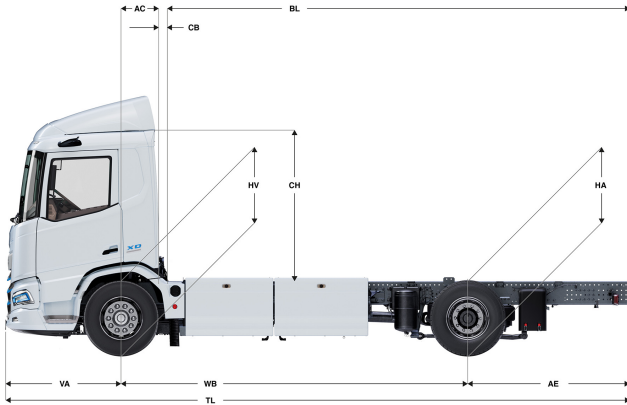
### Optional

- |                          |                                   |
|--------------------------|-----------------------------------|
| <b>17448</b> Safety pack | <b>17595</b> Executive Pack XD/XF |
|--------------------------|-----------------------------------|

Go to [DAF.com](https://www.daf.com) to configure your own perfect DAF.

# XD 220

## FA 4X2 Rigid, Electric



	Wheelbase - AE		Unladen weight <sup>9)</sup>			Gross Carrying Capacity			Variable dimensions									
	WB	AE <sup>5)</sup>	Front	Rear	Total	Front	Rear	Total	AC	CB <sup>6)</sup>	CH <sup>7)</sup>	BL <sup>8)</sup>	BL	TL	HA <sup>9)</sup>	HA <sup>10)</sup>	TK <sup>11)</sup>	TW <sup>12)</sup>
DAY CAB	3,90	1,30	5618	3065	8683	2382	8435	9317	0,50	0,07	2,06	5,09	5,41	6,73	0,97	0,94	13,76	15,14
	4,30	1,80	5752	3042	8794	2248	8458	9206	0,50	0,07	2,06	5,81	6,17	7,63	0,97	0,94	14,79	16,20
	4,50	1,95	5833	3036	8870	2167	8464	9130	0,50	0,07	2,06	6,19	6,57	7,98	0,97	0,94	15,31	16,73
	4,70	2,05	5885	3003	8888	2115	8497	9112	0,50	0,07	2,06	6,56	6,94	8,28	0,97	0,94	15,83	17,26
	4,90	2,35	5934	3006	8940	2066	8494	9060	0,50	0,07	2,06	6,91	7,33	8,78	0,97	0,94	16,35	17,78
	5,10	2,75	5967	3019	8986	2033	8481	9014	0,50	0,07	2,06	7,27	7,70	9,38	0,97	0,94	16,87	18,31
	5,40	2,65	6043	2962	9005	1957	8538	8995	0,50	0,07	2,06	7,83	8,28	9,58	0,97	0,94	17,66	19,11
	5,70	2,65	6135	2959	9094	1865	8541	8906	0,50	0,07	2,06	8,41	8,89	9,88	0,97	0,94	18,44	19,90
	6,10	2,80	6212	2939	9151	1788	8561	8849	0,50	0,07	2,06	9,14	9,67	10,43	0,97	0,94	19,49	20,96
SLEEPER CAB	3,90	1,30	5723	3069	8792	2277	8431	9208	0,83	0,07	2,06	4,49	4,81	6,73	0,97	0,94	13,75	15,14
	4,30	1,80	5858	3046	8903	2142	8454	9097	0,83	0,07	2,06	5,22	5,58	7,63	0,97	0,94	14,79	16,20
	4,50	1,95	5939	3039	8978	2061	8461	9022	0,83	0,07	2,06	5,60	5,98	7,98	0,97	0,94	15,31	16,73
	4,70	2,05	5991	3006	8997	2009	8494	9003	0,83	0,07	2,06	5,96	6,36	8,28	0,97	0,94	15,83	17,26
	4,90	2,35	6040	3009	9049	1960	8491	8951	0,83	0,07	2,06	6,33	6,74	8,78	0,97	0,94	16,35	17,78
	5,10	2,75	6073	3022	9095	1927	8478	8905	0,83	0,07	2,06	6,68	7,11	9,38	0,97	0,94	16,87	18,31
	5,40	2,65	6149	2965	9114	1851	8535	8886	0,83	0,07	2,06	7,26	7,72	9,58	0,97	0,94	17,66	19,11
	5,70	2,65	6241	2961	9202	1759	8539	8798	0,83	0,07	2,06	7,83	8,32	9,88	0,97	0,94	18,44	19,90
	6,10	2,80	6319	2941	9260	1681	8559	8740	0,83	0,07	2,06	8,58	9,11	10,43	0,97	0,94	19,49	20,96
SLEEPER HIGH CAB	3,90	1,30	5754	3068	8822	2246	8432	9178	0,83	0,07	2,54	4,50	4,83	6,73	0,97	0,94	13,75	15,14
	4,30	1,80	5888	3045	8933	2112	8455	9067	0,83	0,07	2,54	5,24	5,60	7,63	0,97	0,94	14,79	16,20
	4,50	1,95	5970	3039	9008	2030	8461	8992	0,83	0,07	2,54	5,61	6,00	7,98	0,97	0,94	15,31	16,73
	4,70	2,05	6022	3005	9027	1978	8495	8973	0,83	0,07	2,54	5,98	6,38	8,28	0,97	0,94	15,83	17,26
	4,90	2,35	6071	3008	9079	1929	8492	8921	0,83	0,07	2,54	6,36	6,76	8,78	0,97	0,94	16,35	17,78
	5,10	2,75	6103	3021	9125	1897	8479	8875	0,83	0,07	2,54	6,71	7,14	9,38	0,97	0,94	16,87	18,31
	5,40	2,65	6180	2964	9144	1820	8536	8856	0,83	0,07	2,54	7,27	7,74	9,58	0,97	0,94	17,66	19,11
	5,70	2,65	6272	2961	9232	1728	8539	8768	0,83	0,07	2,54	7,86	8,35	9,88	0,97	0,94	18,44	19,90
	6,10	2,80	6349	2940	9290	1651	8560	8710	0,83	0,07	2,54	8,62	9,15	10,43	0,97	0,94	19,49	20,96

OTHER DIMENSIONS VA: 1,53 HV<sup>13)</sup>: 0,95 HV<sup>14)</sup>: 0,88 RB: 0,79 SB: 1,82 TB<sup>15)</sup>: 2,48

- 1) GVM in conformity with registration documents.
- 2) GCM in conformity with registration documents.
- 3) Axle load with standard tyre size.
- 4) Chassis and cab weight calculated with: Standard specification items only with driver of (0) kg, tolerance ± 3%. Changing of the specification can have major impact on vehicle weight
- 5) Other AE dimensions may be available for shown WB. Modify rear overhang to the calculated body length.
- 6) Based on basic specification.
- 7) Cab height is measured from frame member to closed cabin roof hatch.

- 8) Calculate customer specific body length with TOPEC. Body lengths shown based on evenly distributed load at max axle load.
- 9) Unladen height at centre of driven axle(s).
- 10) Laden height at centre of driven axle(s).
- 11) TK = turning circle between kerbs.
- 12) TW = turning circle between walls.
- 13) Unladen height at centre of front axle(s).
- 14) Laden height at centre of front axle(s).
- 15) TB is overall width at rear. (At centre of front axle 255).

Depending on the vehicle configuration a specific option may not be possible. The availability and specification of this vehicle may differ per country. For further information please contact the DAF organisation. Pictures and technical illustrations are not binding in detail and can differ from the standard specification. Subject to modification without prior notice.