

Specification sheet

XD 220

FA 4X2 Rigid, Electric



ENGINES

XD Electric 170 PACCAR EX-D1 (170 kW /	210 kWh 315 kWh 420 kWh 525 kWh)
XD Electric 220 PACCAR EX-D1 (220 kW /	315 kWh 420 kWh 525 kWh)
XD Electric 270 PACCAR EX-D1 (270 kW /	315 kWh 420 kWh 525 kWh)
XD Electric 270 PACCAR EX-D2 (270 kW /	315 kWh 420 kWh 525 kWh)
XD Electric 310 PACCAR EX-D2 (310kW /	420 kWh 525 kWh)
XD Electric 350 PACCAR EX-D2 (350kW /	420 kWh 525 kWh)

GVM¹⁾

18000 kg

Max. front 8000 kg

Max. rear 11500 kg

GCM²⁾

21500 kg

CAB EXTERIOR

Luxurious Day Cab with unrivalled aerodynamics for fuel efficient driving and low CO2 emissions. The huge and deep frontscreen, curved at the sides combined with large side windows offer an unsurpassed direct view for the driver, to enhance road safety. Cab length: 2030 mm; cab width: 2500 mm.; Cab suspension mechanical; LED head lights; DAF Corner View.

Optional

07018 Sleeper Cab	01836 LED Skylights
06244 Sleeper High Cab	00949 LED Skylights; aux. LED lights on cab rf, prepared
02889 Chassis front execution: no bottom plate	01925 Two LED work lamps for cab rear wall
02952 Chassis front execution: bottom plate aero	01891 Hazard beacons on cab front, prepared
07586 Chassis front execution: robust	06629 Two hazard beacon lights
01226 Cab suspension air	03232 Front windscreen with solar control foil
03358 External sun visor	03317 Rear window: double glass
03922 Fog lights front	07343 Kerb view window co-driver door
00936 Auxiliary LED lights on cab roof, prepared	01362 DAF Digital Vision System

AERODYNAMICS

Optional

00008 Adj. roof air deflector short Sleeper High Cab	00082 Adj. roof air deflector for Day Cab
00124 Adj. rf air defl.long mid >4m(!) Sleeper High Cab	00097 Adj. roof air deflector for Sleeper Cab
01538 Adj. roof air defl. long high >4m(!) Sleeper High	00020 Adj. roof air deflector long low Sleeper High Cab
02662 Adj. roof air defl. long mid XD Sleeper High Cab	

COLOURS

Cab colour E1980 Crystal White; Chassis colour grey.; Colour of bumper: Crystal White.

CAB INTERIOR

Cab interior trim colour: Luxury; Dashboard finish: Vision; Cab interior decoration: Hexagon; Driver seat: Comfort Air; Co-driver seat: cinema with fabric cover; No dashboard table; Storage compartment in centre; Automatic Temperature Control and airco; Auxiliary cab heater (water).

Optional

02354 Steering wheel with silver accents	02117 Third seat
02355 Steering wheel, leather	02837 Dashboard table
02353 Cab interior decoration: Argenta	03948 Single drawer
02350 Cab interior decoration: Natura	03954 Refrigerator
07733 Driver seat: Luxury Air	02838 Foam mattress for lower bunk
07736 Driver seat: Super Air	02854 Xtra Comfort mattress for lower bunk
07737 Driver seat: Xtra Leather Air	01775 Xtra Comfort mattress with topper for lower bunk
09541 Arm rest driver seat	06970 Automatic Cab Climate Control
01740 Arm rest at both sides of the driver seat	

COMMUNICATION AND DRIVING MANAGEMENT

PACCAR Connect; Tachograph digital, Stoneridge 1C version G2V2; Speed limiter setting 85/90 km/h; DAF Infotainment Luxury with Luxury speakers; Adaptive Cruise Control with FCW and AEBS-3; Driver Performance Assistant.

Optional

09681 Preparation for Maut	01915 DAF Infotainment System: Luxury Plus
06211 DAF Infotainment System with FM/DAB/DAB+ radio	06991 Predictive Cruise Control
03470 DAF Infotainment System: Exclusive, prepared	06992 Predictive Cruise Control lite

SAFETY AND SECURITY

Lane Departure Warning System; Vehicle Stability Control (VSC); Basic engine immobiliser system; No EC-ADR packages; DAF Side & Turn Assist.

Optional

08631 Air bag (driver) and 2 seat belt tensioners
--

SUSPENSION AND AXLES

Front: 8.00 t, parabolic, 163N; Rear axle load 13.00 t; Rear: air suspension, SR1344; No lifting device.

Optional

06257 Front axle load 9.00 t	04647 Front springs air
06095 Front axle load 10.00 t	08191 Axle load monitoring

WHEELS AND TYRES

Driven rear axle(s): 315/70R22.5; F1,315/70R22.5GO FMXSE 156/150 L Steering BBA 3P; R1,315/70R22.5GO FMXDE 154/150 L Traction BBA 3P.

Optional

16152 Tyre makes and types

DRIVELINE

Electric motor type EX-D1; 220 kW; 150 kW DC charging; Battery Electric Vehicle; Rear axle ratio 2.05.

Optional

01656 Electric motor type EX-D2	01749 Charging: 150 kW DC + 22 kW AC
01664 170 kW	01756 325 kW DC charging
01686 270 kW	03677 Charging: 325 kW DC + 22 kW AC
01691 310 kW	01514 Urge-to-move
01692 350 kW	02843 Mechanical differential lock

BRAKE SYSTEM

Ventilated disc brakes front and rear. Dual circuit air system with electronic control (EBS). Electric driven, water cooled air compressor with automatic air heated dryer..

Optional

04901 Spring brake cylinders on the first front axle

CHASSIS

Wheelbase 4.30 m / rear overhang 1.80 m; Side member height 260 mm; Standard component location; 3 HV battery packs; HV battery pack left, position 2; HV battery pack right, position 2; Front underrun protection (FUP); Spray suppression.

Optional

- | | |
|---|--|
| 02601 Side member height 310 mm | 01762 HV battery packs left, positions 2 and 3 |
| 01696 2 HV battery packs | 01779 HV battery pack right, position 1 |
| 01699 4 HV battery packs | 01791 HV battery packs right, positions 1 and 2 |
| 01701 5 HV battery packs | 01799 HV battery packs right, positions 2 and 3 |
| 01634 HV battery pack left, position 1 | 01658 No HV battery packs right |
| 01759 HV battery packs left, positions 1 and 2 | 16157 Fuel tanks, material and sizes |

DRAWBAR AND TRAILER EQUIPMENT

Closing member D-value = 0kN.

Optional

- | | |
|--|--|
| 07033 Trailer coupling Ringfeder D=13.7 | 08027 Trailer coupling Rockinger D=20.0 |
| 07034 Trailer coupling Ringfeder D=20.0 | 04659 Trailer cable EBS |
| 08026 Trailer coupling Rockinger D=13.0 | |

BODIES AND PREPARATIONS FOR BODYING

Application connector chassis.

Optional

- | | |
|---|------------------------------------|
| 09421 Additional spare wiring | 08121 Tail lift application |
| 09240 Application connector for refuse collector | |

POWER TAKE-OFF (PTO)

Optional

- | | |
|---|---|
| 01809 E-PTO socket 650V DC < 25 kW | 04320 E-PTO socket 650V DC < 90 kW |
|---|---|

24V POWER SUPPLY

Batteries 2x 175 Ah..

Optional

- | | |
|---|--------------------------------|
| 07671 Batteries 2x210Ah AGM C-type | 06440 Batteries 2x230Ah |
|---|--------------------------------|

GVM AND GCM

Chassis weight related technical GVM max 20500 kg; Driveline related max GCM 21500 kg.

Optional

- | | |
|---|---|
| 01933 Driveline related max GCM 42000 kg | 02200 Driveline related max GCM 46000 kg class 2 |
| 01937 Driveline related max GCM 46000 kg | 03675 Driveline related max GCM 50000 kg class 3 |

APPLICATION CONDITIONS

Optional

- | | |
|-----------------------------------|---------------------------------------|
| 02260 Extra cab insulation | 06614 Anti-dust blow-up shield |
|-----------------------------------|---------------------------------------|

SERVICE AND MAINTENANCE

Standard Warranty takes care of 1 year complete vehicle as supplied by the OEM (excl. real wear parts), 2nd year driveline and 1st year breakdown.; ITS service.

VEHICLE DELIVERY

Minimum toolkit.

Optional

- 07569** Lifting jack

OPTION PACKAGES

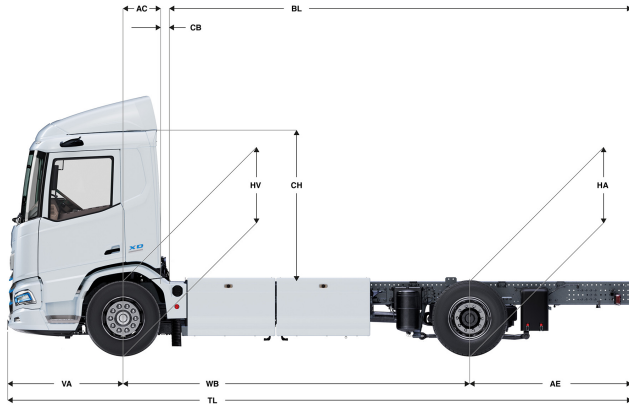
Optional

- | | |
|--------------------------|-----------------------------------|
| 17448 Safety pack | 17595 Executive Pack XD/XF |
|--------------------------|-----------------------------------|

Go to [DAF.com](https://www.daf.com) to configure your own perfect DAF.

XD 220

FA 4X2 Rigid, Electric



	Wheelbase - AE		Unladen weight ⁹⁾			Gross Carrying Capacity			Variable dimensions									
	WB	AE ⁵⁾	Front	Rear	Total	Front	Rear	Total	AC	CB ⁶⁾	CH ⁷⁾	BL ⁸⁾	BL	TL	HA ⁹⁾	HA ¹⁰⁾	TK ¹¹⁾	TW ¹²⁾
DAY CAB	3,90	1,30	5618	3065	8683	2382	8435	9317	0,50	0,07	2,06	5,09	5,41	6,73	0,97	0,94	13,76	15,14
	4,30	1,80	5752	3042	8794	2248	8458	9206	0,50	0,07	2,06	5,81	6,17	7,63	0,97	0,94	14,79	16,20
	4,50	1,95	5833	3036	8870	2167	8464	9130	0,50	0,07	2,06	6,19	6,57	7,98	0,97	0,94	15,31	16,73
	4,70	2,05	5885	3003	8888	2115	8497	9112	0,50	0,07	2,06	6,56	6,94	8,28	0,97	0,94	15,83	17,26
	4,90	2,35	5934	3006	8940	2066	8494	9060	0,50	0,07	2,06	6,91	7,33	8,78	0,97	0,94	16,35	17,78
	5,10	2,75	5967	3019	8986	2033	8481	9014	0,50	0,07	2,06	7,27	7,70	9,38	0,97	0,94	16,87	18,31
	5,40	2,65	6043	2962	9005	1957	8538	8995	0,50	0,07	2,06	7,83	8,28	9,58	0,97	0,94	17,66	19,11
	5,70	2,65	6135	2959	9094	1865	8541	8906	0,50	0,07	2,06	8,41	8,89	9,88	0,97	0,94	18,44	19,90
	6,10	2,80	6212	2939	9151	1788	8561	8849	0,50	0,07	2,06	9,14	9,67	10,43	0,97	0,94	19,49	20,96
SLEEPER CAB	3,90	1,30	5723	3069	8792	2277	8431	9208	0,83	0,07	2,06	4,49	4,81	6,73	0,97	0,94	13,75	15,14
	4,30	1,80	5858	3046	8903	2142	8454	9097	0,83	0,07	2,06	5,22	5,58	7,63	0,97	0,94	14,79	16,20
	4,50	1,95	5939	3039	8978	2061	8461	9022	0,83	0,07	2,06	5,60	5,98	7,98	0,97	0,94	15,31	16,73
	4,70	2,05	5991	3006	8997	2009	8494	9003	0,83	0,07	2,06	5,96	6,36	8,28	0,97	0,94	15,83	17,26
	4,90	2,35	6040	3009	9049	1960	8491	8951	0,83	0,07	2,06	6,33	6,74	8,78	0,97	0,94	16,35	17,78
	5,10	2,75	6073	3022	9095	1927	8478	8905	0,83	0,07	2,06	6,68	7,11	9,38	0,97	0,94	16,87	18,31
	5,40	2,65	6149	2965	9114	1851	8535	8886	0,83	0,07	2,06	7,26	7,72	9,58	0,97	0,94	17,66	19,11
	5,70	2,65	6241	2961	9202	1759	8539	8798	0,83	0,07	2,06	7,83	8,32	9,88	0,97	0,94	18,44	19,90
	6,10	2,80	6319	2941	9260	1681	8559	8740	0,83	0,07	2,06	8,58	9,11	10,43	0,97	0,94	19,49	20,96
SLEEPER HIGH CAB	3,90	1,30	5754	3068	8822	2246	8432	9178	0,83	0,07	2,54	4,50	4,83	6,73	0,97	0,94	13,75	15,14
	4,30	1,80	5888	3045	8933	2112	8455	9067	0,83	0,07	2,54	5,24	5,60	7,63	0,97	0,94	14,79	16,20
	4,50	1,95	5970	3039	9008	2030	8461	8992	0,83	0,07	2,54	5,61	6,00	7,98	0,97	0,94	15,31	16,73
	4,70	2,05	6022	3005	9027	1978	8495	8973	0,83	0,07	2,54	5,98	6,38	8,28	0,97	0,94	15,83	17,26
	4,90	2,35	6071	3008	9079	1929	8492	8921	0,83	0,07	2,54	6,36	6,76	8,78	0,97	0,94	16,35	17,78
	5,10	2,75	6103	3021	9125	1897	8479	8875	0,83	0,07	2,54	6,71	7,14	9,38	0,97	0,94	16,87	18,31
	5,40	2,65	6180	2964	9144	1820	8536	8856	0,83	0,07	2,54	7,27	7,74	9,58	0,97	0,94	17,66	19,11
	5,70	2,65	6272	2961	9232	1728	8539	8768	0,83	0,07	2,54	7,86	8,35	9,88	0,97	0,94	18,44	19,90
	6,10	2,80	6349	2940	9290	1651	8560	8710	0,83	0,07	2,54	8,62	9,15	10,43	0,97	0,94	19,49	20,96

OTHER DIMENSIONS VA: 1,53 HV¹³⁾: 0,95 HV¹⁴⁾: 0,88 RB: 0,79 SB: 1,82 TB¹⁵⁾: 2,48

- GVM in conformity with registration documents.
- GCM in conformity with registration documents.
- Axle load with standard tyre size.
- Chassis and cab weight calculated with: Standard specification items only with driver of (0) kg, tolerance ± 3%. Changing of the specification can have major impact on vehicle weight
- Other AE dimensions may be available for shown WB. Modify rear overhang to the calculated body length.
- Based on basic specification.
- Cab height is measured from frame member to closed cabin roof hatch.
- Calculate customer specific body length with TOPEC. Body lengths shown based on evenly distributed load at max axle load.
- Unladen height at centre of driven axle(s).
- Laden height at centre of driven axle(s).
- TK = turning circle between kerbs.
- TW = turning circle between walls.
- Unladen height at centre of front axle(s).
- Laden height at centre of front axle(s).
- TB is overall width at rear. (At centre of front axle 255).

Depending on the vehicle configuration a specific option may not be possible. The availability and specification of this vehicle may differ per country. For further information please contact the DAF organisation. Pictures and technical illustrations are not binding in detail and can differ from the standard specification. Subject to modification without prior notice.