

Specification sheet

CF 300

FAG 6X2 Rigid,

n-EC



ENGINES

CF 300 MX-11 (220 kW / 299 hp)

CF 340 MX-11 (251 kW / 341 hp)

GVM¹⁾

26999 kg

Max. front 8000 kg

Max. rear 18999 kg

GCM²⁾

38000 kg

991F7761GBAA - 202437D - 29-05-2024

DAF Trucks N.V., The Netherlands, www.daf.com

CAB EXTERIOR

Day Cab with galvanised steel bumper, tinted glass and electric window openers. Main mirrors and wide angle mirrors electrically heated. Cab width 2300 mm.; LED daytime running lights; Manually adjustable main mirrors; No front view mirror.

Optional

| | |
|---|--|
| 02106 Sleeper Cab | 09983 Fog lights |
| 01137 Space Cab | 09984 Fog lights and cornering lights |
| 01226 Cab suspension air | 06593 Skylights |
| 01174 External sun visor green translucent | 06628 One hazard beacon light at co-driver side |
| 00847 Air horns, single set | 06627 One hazard beacon light at driver side |
| 09006 Air horns, double set | 06629 Two hazard beacon lights |
| 08020 LED head lights | |

AERODYNAMICS

Optional

| | |
|--|--|
| 06776 Adjustable roof air deflector | 04906 Side collars, one side hinged |
|--|--|

COLOURS

Cab colour H3279 Brilliant White; Head lamp panel and bumper: Brilliant White; Chassis colour grey..

Optional

| | |
|---|---|
| 06485 Head lamp panel and bumper: cab colour | 09933 Head lamp panel and bumper: Stone Grey |
|---|---|

CAB INTERIOR

Cab interior trim colour Dark Sand; Cab interior decoration Black Rock; Driver seat: Comfort Air; Co-driver seat: basic; Automatic Temperature Control and airco; Pollen filter; Roof hatch glass, manual control.

Optional

| | |
|--|---|
| 09271 Steering wheel, leather, colour black | 07748 Co-driver seat: Xtra Leather Air |
| 07240 Steering wheel, leather, Exclusive | 00967 Seat belts red |
| 07733 Driver seat: Luxury Air | 02117 Third seat |
| 07736 Driver seat: Super Air | 06539 Refrigerator |
| 07737 Driver seat: Xtra Leather Air | 06783 Lower bunk foam mattress |
| 07741 Co-driver seat: Comfort Air | 06784 Lower bunk mattress Xtra Comfort |
| 07743 Co-driver seat: Luxury Air | 06676 PL light in cab ceiling |
| 07746 Co-driver seat: Super Air | 06970 Automatic Cab Climate Control |

COMMUNICATION AND DRIVING MANAGEMENT

Tachograph mechanical; Speed limiter setting 85/90 km/h; Antennas: radio, 2x cellular, GNSS; Cruise control.

Optional

| | |
|--|--|
| 09681 Preparation for Maut | 08023 Adaptive Cruise Control with FCW and AEBS-3 |
| 08450 Luxury speaker system with 6 speakers | 06991 Predictive Cruise Control |
| 07117 Radio/USB player, 2 speakers | 06992 Predictive Cruise Control lite |

SAFETY AND SECURITY

No Lane Departure Warning System; Vehicle Stability Control (VSC); Basic engine immobiliser system.

Optional

| | |
|--|---------------------------------|
| 08631 Air bag (driver) and 2 seat belt tensioners | 09827 Side camera system |
| 09828 Front camera system | 01725 Reverse warning |

SUSPENSION AND AXLES

Front axle load 8.00 t; Rear: 11.50 + 7.50 t, air suspension, SR1344.

Optional

| | |
|-------------------------------------|--|
| 06257 Front axle load 9.00 t | 00833 Rear axle load 12.05+7.45 t |
| 04057 Rear axle HR1356 | |
| 04588 Rear axle SR1347 | 08191 Axle load monitoring |

WHEELS AND TYRES

Front axle(s): 315/70R22.5; Second front or leading axle: 315/70R22.5; Driven rear axle(s): 315/70R22.5; Disc wheels steel, silvergrey; No wheel protection rings.

Optional

| |
|-----------------------------------|
| 16152 Tyre makes and types |
|-----------------------------------|

DRIVELINE

Engine MX-11, 6 cylinder diesel engine, 10.8 litres. Output 220 kW (299 hp) at 1675 rpm. Max. torque 1350 Nm at 900-1400 rpm.; Exhaust emission Euro 6; Engine idle shutdown, 5 minutes; Manual gearbox, 16 speeds; Gearbox ratio 13.80-0.84; Rear axle ratio 3.08.

Optional

| | |
|---|--|
| 04393 Manual gearbox, 9 speeds | 09889 Automatic gearbox, 6 speeds |
| 07102 Automated gearbox, TraXon, 12 speeds | |

BRAKE SYSTEM

Ventilated disc brakes front and rear. Dual circuit air system with electronic control (EBS). Twin cylinder air compressor with heated dryer and economy mode..

Optional

| | |
|------------------------------|---|
| 09921 MX Engine Brake | 04901 Spring brake cylinders on the first front axle |
| 02715 ZF Intarder | |

CHASSIS

Wheelbase 4.80 m / rear overhang 0.74 m; Side member height 310 mm; Standard component location; Exhaust pipe horizontal, low; Aluminium fuel tank 340 l RH, height 620 mm; Tank for AdBlue® 45 l, right-hand side chassis; Front underrun protection (FUP); Spray suppression.

Optional

| | |
|--|-----------------------------------|
| 06611 Exhaust pipe vertical, high | 03323 Rear light with LEDs |
|--|-----------------------------------|

DRAWBAR AND TRAILER EQUIPMENT

Closing member.

Optional

| | |
|--|--|
| 07033 Trailer coupling Ringfeder D=13.7 | 08027 Trailer coupling Rockinger D=20.0 |
| 07034 Trailer coupling Ringfeder D=20.0 | 07029 D-value cross member D=13.7 |
| 08026 Trailer coupling Rockinger D=13.0 | 07032 D-value cross member D=20 |

BODIES AND PREPARATIONS FOR BODYING

Application connector on the cab front.

POWER TAKE-OFF (PTO)

Optional

16148 PTO types and positions

24V POWER SUPPLY

Alternator 80 A, batteries 2x 140 Ah..

Optional

| | | | |
|-------|-------------------|-------|-----------------------|
| 06460 | Alternator 120 A | 07671 | Batteries 2x210Ah AGM |
| 08775 | Alternator 150 A | | C-type |
| 08797 | Batteries 2x175Ah | 06440 | Batteries 2x230Ah |

GVM AND GCM

Chassis weight related technical GVM max 27000 kg; Driveline related max GCM 38000 kg class 2.

Optional

04330 Driveline related max
GCM 27000 kg class 2

APPLICATION CONDITIONS

Cyclonic air intake behind the cab.

Optional

06639 Air intake on cab with in-
line cyclonic filter

SERVICE AND MAINTENANCE

Standard Warranty takes care of 1 year complete vehicle as supplied by the OEM (excl. real wear parts), 2nd year driveline and 1st year breakdown.; ITS service.

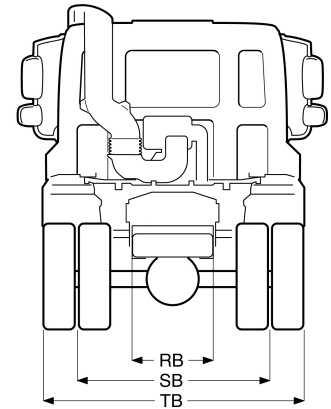
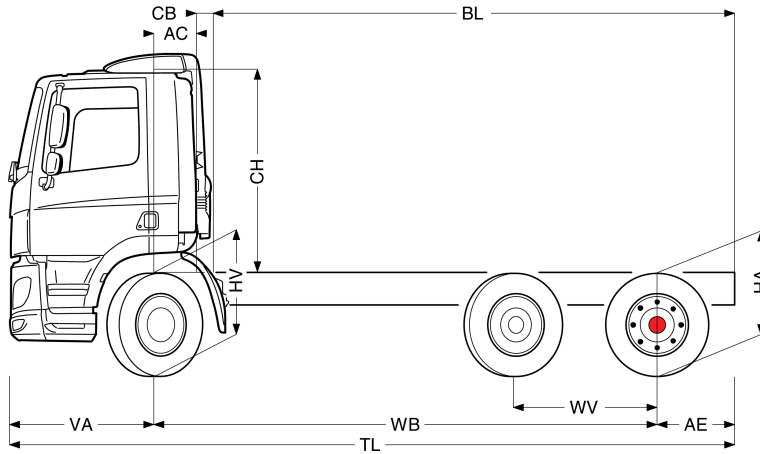


Go to [DAF.com](https://www.daf.com) to configure your own perfect DAF.

CF 300

FAG 6X2 Rigid,

n-EC



| | Wheelbase - AE | | Unladen weight ¹⁾ | | | Gross Carrying Capacity | | | Variable dimensions | | | | | | | | | | |
|-------------|----------------|------------------|------------------------------|------|-------|-------------------------|-------|-------|---------------------|------------------|------------------|------------------|------|------|------------------|-------------------|-------------------|-------------------|--|
| | WB | AE ⁵⁾ | Front | Rear | Total | Front | Rear | Total | AC | CB ⁶⁾ | CH ⁷⁾ | BL ⁸⁾ | BL | TL | HA ⁹⁾ | HA ¹⁰⁾ | TK ¹¹⁾ | TW ¹²⁾ | |
| DAY CAB | 4,80 | 0,74 | 4995 | 2665 | 7660 | 3005 | 16334 | 19339 | 0,39 | 0,18 | 1,94 | 6,08 | 6,08 | 6,91 | 1,02 | 1,00 | 17,66 | 18,94 | |
| | 5,35 | 0,74 | 5056 | 2703 | 7759 | 2944 | 16296 | 19240 | 0,39 | 0,18 | 1,94 | 7,03 | 7,03 | 7,46 | 1,02 | 1,00 | 19,26 | 20,55 | |
| | | | | | | | | | | | | | | | | | | | |
| SLEEPER CAB | WB | AE ⁵⁾ | Front | Rear | Total | Front | Rear | Total | AC | CB ⁶⁾ | CH ⁷⁾ | BL ⁸⁾ | BL | TL | HA ⁹⁾ | HA ¹⁰⁾ | TK ¹¹⁾ | TW ¹²⁾ | |
| | 4,80 | 0,74 | 4995 | 2665 | 7660 | 3005 | 16334 | 19339 | 0,39 | 0,18 | 1,94 | 6,08 | 6,08 | 6,91 | 1,02 | 1,00 | 17,66 | 18,94 | |
| | 5,35 | 0,74 | 5056 | 2703 | 7759 | 2944 | 16296 | 19240 | 0,39 | 0,18 | 1,94 | 7,03 | 7,03 | 7,46 | 1,02 | 1,00 | 19,26 | 20,55 | |
| | | | | | | | | | | | | | | | | | | | |
| SPACE CAB | WB | AE ⁵⁾ | Front | Rear | Total | Front | Rear | Total | AC | CB ⁶⁾ | CH ⁷⁾ | BL ⁸⁾ | BL | TL | HA ⁹⁾ | HA ¹⁰⁾ | TK ¹¹⁾ | TW ¹²⁾ | |
| | 4,80 | 0,74 | 4995 | 2665 | 7660 | 3005 | 16334 | 19339 | 0,39 | 0,18 | 1,94 | 6,08 | 6,08 | 6,91 | 1,02 | 1,00 | 17,66 | 18,94 | |
| | 5,35 | 0,74 | 5056 | 2703 | 7759 | 2944 | 16296 | 19240 | 0,39 | 0,18 | 1,94 | 7,03 | 7,03 | 7,46 | 1,02 | 1,00 | 19,26 | 20,55 | |
| | | | | | | | | | | | | | | | | | | | |
| | | | | | | | | | | | | | | | | | | | |

OTHER DIMENSIONS VA: 1,37 WV: 1,37 HV¹³⁾: 1,02 HV¹⁴⁾: 0,89 RB: 0,79 SB: 1,82 TB¹⁵⁾: 2,48

- GVM in conformity with registration documents.
- GCM in conformity with registration documents.
- Axle load with standard tyre size.
- Chassis and cab weight calculated with: Standard specification items only with 0 litres of fuel, 0 litres of AdBlue® and driver of 0 kg, tolerance ± 3%. Changing of the specification can have major impact on vehicle weight.
- Other AE dimensions may be available for shown WB. Modify rear overhang to the calculated body length.
- CB is based on standard air intake and/or exhaust.
- Cab height is measured from frame member to closed cabin roof hatch.

- Calculate customer specific body length with TOPEC. Body lengths shown based on evenly distributed load at max axle load.
- Unladen height at centre of driven axle (leading axle down).
- Laden height at centre of driven axle(s).
- TK = turning circle between kerbs.
- TW = turning circle between walls.
- Unladen height at centre of front axle(s).
- Laden height at centre of front axle(s).
- TB is overall width at rear. (At lower cab step 255).

Depending on the vehicle configuration a specific option may not be possible. The availability and specification of this vehicle may differ per country. For further information please contact the DAF organisation. Pictures and technical illustrations are not binding in detail and can differ from the standard specification. Subject to modification without prior notice.