

# Specification sheet

# CF 410

FAQ 8X2 Rigid,

n-EC



## ENGINES

- CF 370 MX-11 (270 kW / 367 hp)
- CF 410 MX-11 (300 kW / 408 hp)
- CF 450 MX-11 (330 kW / 449 hp)
- CF 430 MX-13 (315 kW / 428 hp)
- CF 480 MX-13 (355 kW / 483 hp)
- CF 530 MX-13 (390 kW / 530 hp)

## GVM<sup>1)</sup>

33300 kg

Max. front 8000 kg

Max. rear 25300 kg

## GCM<sup>2)</sup>

44000 kg

991F8739QBAA - 202501H - 18-09-2024

DAF Trucks N.V., The Netherlands, [www.daf.com](http://www.daf.com)

## CAB EXTERIOR

Sleeper Cab with galvanised steel bumper, tinted glass and electric window openers. Main mirrors and wide angle mirrors electrically heated. Cab width 2300 mm.; LED daytime running lights; Manually adjustable main mirrors; No front view mirror.

### Optional

<b>01899</b> Day Cab	<b>09983</b> Fog lights
<b>01137</b> Space Cab	<b>09984</b> Fog lights and cornering lights
<b>01226</b> Cab suspension air	<b>06593</b> Skylights
<b>01174</b> External sun visor green translucent	<b>06628</b> One hazard beacon light at co-driver side
<b>00847</b> Air horns, single set	<b>06627</b> One hazard beacon light at driver side
<b>09006</b> Air horns, double set	<b>06629</b> Two hazard beacon lights
<b>08020</b> LED head lights	

## AERODYNAMICS

### Optional

<b>06776</b> Adjustable roof air deflector	<b>04906</b> Side collars, one side hinged
--	--

## COLOURS

Cab colour H3279 Brilliant White; Head lamp panel and bumper: Brilliant White; Chassis colour grey..

### Optional

<b>06485</b> Head lamp panel and bumper: cab colour	<b>09933</b> Head lamp panel and bumper: Stone Grey
---	---

## CAB INTERIOR

Cab interior trim colour Dark Sand; Cab interior decoration Black Rock; Driver seat: Comfort Air; Co-driver seat: basic; Automatic Temperature Control and airco; Pollen filter; Roof hatch aluminium, manual control.

### Optional

<b>09271</b> Steering wheel, leather, colour black	<b>07748</b> Co-driver seat: Xtra Leather Air
<b>07240</b> Steering wheel, leather, Exclusive	<b>00967</b> Seat belts red
<b>07733</b> Driver seat: Luxury Air	<b>02117</b> Third seat
<b>07736</b> Driver seat: Super Air	<b>06539</b> Refrigerator
<b>07737</b> Driver seat: Xtra Leather Air	<b>31364</b> Without feature: Lower bunk mattress
<b>07741</b> Co-driver seat: Comfort Air	<b>06784</b> Lower bunk mattress Xtra Comfort
<b>07743</b> Co-driver seat: Luxury Air	<b>06676</b> PL light in cab ceiling
<b>07746</b> Co-driver seat: Super Air	<b>06970</b> Automatic Cab Climate Control

## COMMUNICATION AND DRIVING MANAGEMENT

Tachograph digital, Stoneridge 1B; Speed limiter setting 85/90 km/h; Antennas: radio, 2x cellular, GNSS; Cruise control.

### Optional

<b>09681</b> Preparation for Maut	<b>09909</b> Adaptive Cruise Control (ACC) with FCW
<b>08450</b> Luxury speaker system with 6 speakers	<b>06991</b> Predictive Cruise Control
<b>07117</b> Radio/USB player, 2 speakers	<b>06992</b> Predictive Cruise Control lite

## SAFETY AND SECURITY

No Lane Departure Warning System; No vehicle stability control; Basic engine immobiliser system.

### Optional

<b>08631</b> Air bag (driver) and 2 seat belt tensioners	<b>09827</b> Side camera system
<b>09828</b> Front camera system	<b>01725</b> Reverse warning

## SUSPENSION AND AXLES

Front axles load 8.00 + 8.00 t; Rear: 12.00 + 7.40 t, air suspension, SR1347.

### Optional

<b>03467</b> Front axles load 9.00 + 8.00 t	<b>01800</b> Rear axle SR1344
<b>04057</b> Rear axle HR1356	<b>00751</b> Rear axle load 11.50+ 7.50 t

## WHEELS AND TYRES

Front axle(s): 385/55R22.5; Second front or leading axle: 385/55R22.5; Driven rear axle(s): 315/70R22.5; Second driven rear or trailing axle: 385/55R22.5; Disc wheels steel, silvergrey; No wheel protection rings.

### Optional

<b>16152</b> Tyre makes and types
-----------------------------------

## DRIVELINE

Engine MX-11, multi torque 6 cylinder diesel engine, 10.8 litres. Output 300 kW (408 hp) at 1600 rpm. Maximum torque 2100 Nm at 900-1125 rpm.; Exhaust emission Euro 5; Engine idle shutdown, 5 minutes; Manual gearbox, 16 speeds; Gearbox ratio 13.80-0.84; Rear axle ratio 2.69.

### Optional

<b>03600</b> Exhaust emission Euro 6	<b>07103</b> Automated gearbox, TraXon, 16 speeds
<b>07102</b> Automated gearbox, TraXon, 12 speeds	<b>03720</b> No ASR

## BRAKE SYSTEM

Exhaust brake; Ventilated disc brakes front and rear. Dual circuit air system with electronic control (EBS). Twin cylinder air compressor with heated dryer and economy mode..

### Optional

<b>09921</b> MX Engine Brake	<b>02715</b> ZF Intarder
------------------------------	--------------------------

## CHASSIS

Wheelbase 4.70 m / rear overhang 1.20 m; Side member height 310 mm; Standard component location; Exhaust pipe horizontal, low; Aluminium fuel tank 340 l RH, height 620 mm; Tank for AdBlue® 45 l, right-hand side chassis; Front underrun protection (FUP); Spray suppression.

### Optional

<b>03323</b> Rear light with LEDs
-----------------------------------

## DRAWBAR AND TRAILER EQUIPMENT

D-value cross member D=13.7; No pneumatic trailer connection; Electric connection 24 V / 1x15 pins.

### Optional

<b>07033</b> Trailer coupling Ringfeder D=13.7	<b>08027</b> Trailer coupling Rockinger D=20.0
<b>07034</b> Trailer coupling Ringfeder D=20.0	<b>04624</b> Closing member D-value = 0kN
<b>08026</b> Trailer coupling Rockinger D=13.0	<b>07032</b> D-value cross member D=20

## BODIES AND PREPARATIONS FOR BODYING

Application connector on the cab front.

**Optional**

- 04331 Appl connector including air control prep
- 06692 Application connector chassis
- 09050 Application connectors for bb remote control

**POWER TAKE-OFF (PTO)**

**Optional**

- 16148 PTO types and positions

**24V POWER SUPPLY**

Alternator 120 A, batteries 2x 175 Ah..

**Optional**

- 08775 Alternator 150 A
- 06440 Batteries 2x230Ah
- 07671 Batteries 2x210Ah AGM C-type

**GVM AND GCM**

Chassis weight related technical GVM max 35000 kg; Driveline related max GCM 44000 kg class 2.

**Optional**

- 00200 Driveline related max GCM 38000 kg class 2
- 03675 Driveline related max GCM 50000 kg class 3
- 00209 Driveline related max GCM 40000 kg class 3
- 00939 Driveline related max GCM 56000 kg class 2
- 03682 Driveline related max GCM 50000 kg class 2
- 00818 Driveline related max GCM 60000 kg class 3

**APPLICATION CONDITIONS**

Cyclonic air intake behind the cab.

**Optional**

- 06639 Air intake on cab with in-line cyclonic filter

**SERVICE AND MAINTENANCE**

Standard Warranty takes care of 1 year complete vehicle as supplied by the OEM (excl. real wear parts), 2nd year driveline and 1st year breakdown.; ITS service.

**Optional**

- 08310 Service interval standard

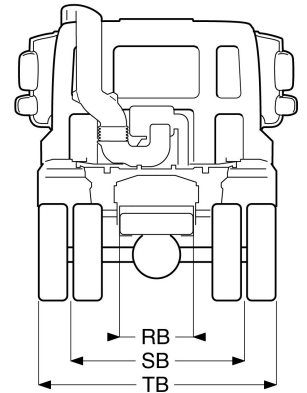
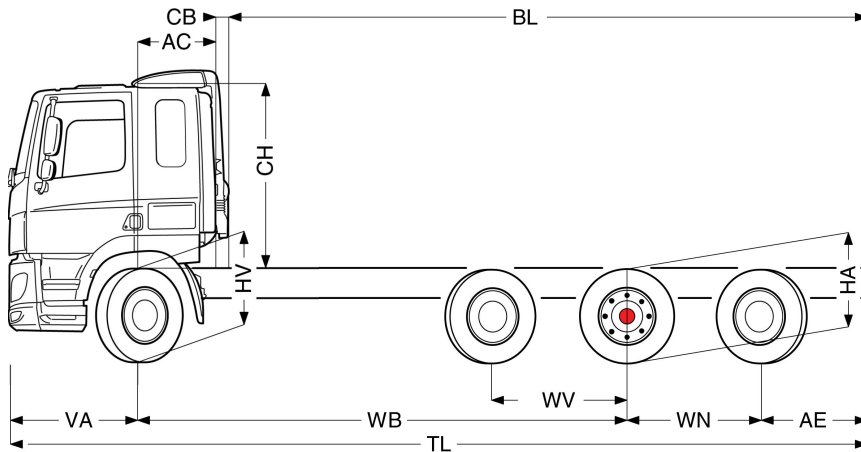


Go to [DAF.com](https://www.daf.com) to configure your own perfect DAF.

# CF 410

FAQ 8X2 Rigid,

n-EC



	Wheelbase - AE		Unladen weight <sup>9)</sup>			Gross Carrying Capacity			Variable dimensions									
	WB	AE <sup>5)</sup>	Front	Rear	Total	Front	Rear	Total	AC	CB <sup>6)</sup>	CH <sup>7)</sup>	BL <sup>8)</sup>	BL	TL	HA <sup>9)</sup>	HA <sup>10)</sup>	TK <sup>11)</sup>	TW <sup>12)</sup>
DAY CAB	4,70	1,20	4642	4396	9038	3358	20904	24262	0,39	0,18	1,94	6,98	6,98	8,67	1,02	0,99	17,37	18,64
	5,05	1,20	4685	4406	9091	3315	20894	24209	0,39	0,18	1,94	7,61	7,61	9,02	1,02	0,99	18,39	19,67
	5,60	3,15	4597	4771	9368	3403	20529	23932	0,39	0,18	1,94	8,52	8,52	11,52	1,02	0,98	19,99	21,28
SLEEPER CAB	4,70	1,20	4685	4282	8967	3315	21018	24333	0,82	0,16	1,94	6,17	6,17	8,67	1,02	0,99	17,37	18,64
	5,05	1,20	4728	4291	9019	3272	21009	24281	0,82	0,16	1,94	6,81	6,81	9,02	1,02	0,99	18,39	19,67
	5,60	3,15	4640	4656	9296	3360	20644	24004	0,82	0,16	1,94	7,71	7,71	11,52	1,02	0,98	19,99	21,28
SPACE CAB	4,70	1,20	4796	4282	9078	3204	21018	24222	0,82	0,16	2,62	6,21	6,21	8,67	1,02	0,99	17,37	18,64
	5,05	1,20	4839	4291	9130	3161	21009	24170	0,82	0,16	2,62	6,84	6,84	9,02	1,02	0,99	18,39	19,67
	5,60	3,15	4751	4656	9407	3249	20644	23893	0,82	0,16	2,62	7,75	7,75	11,52	1,02	0,98	19,99	21,28

OTHER DIMENSIONS	VA: 1,37	WB: 1,41	WN: 1,40	HV <sup>14)</sup> : 1,01	HV <sup>14)</sup> : 0,95	RB: 0,79	SB: 1,82	TB <sup>15)</sup> : 2,48
------------------	----------	----------	----------	--------------------------	--------------------------	----------	----------	--------------------------

- GVM in conformity with registration documents.
- GCM in conformity with registration documents.
- Axle load with standard tyre size.
- Chassis and cab weight calculated with: Standard specification items only with 0 litres of fuel, 0 litres of AdBlue® and driver of 0 kg, tolerance ± 3%. Changing of the specification can have major impact on vehicle weight.
- Other AE dimensions may be available for shown WB. Modify rear overhang to the calculated body length.
- CB is based on standard air intake and/or exhaust.
- Cab height is measured from frame member to closed cabin roof hatch.

- Calculate customer specific body length with TOPEC. Body lengths shown based on evenly distributed load at max axle load.
- Unladen height at centre of driven axle(s).
- Laden height at centre of driven axle(s).
- TK = turning circle between kerbs.
- TW = turning circle between walls.
- Unladen height at centre of front axle(s).
- Laden height at centre of front axle(s).
- TB is overall width at rear. (At lower cab step 255).

Depending on the vehicle configuration a specific option may not be possible. The availability and specification of this vehicle may differ per country. For further information please contact the DAF organisation. Pictures and technical illustrations are not binding in detail and can differ from the standard specification. Subject to modification without prior notice.