

Specification sheet

XB 190

FA 4X2 Rigid, 08t



ENGINES

XB NewGen 170 PX-5 (124 kW / 169 hp)
XB NewGen 190 PX-5 (139 kW / 189 hp)
XB NewGen 210 PX-5 (153 kW / 208 hp)
XB NewGen 230 PX-7 (167 kW / 227 hp)

GVM¹⁾

7500 kg
Max. front 3600 kg
Max. rear 5000 kg

GCM²⁾

7500 kg

CAB EXTERIOR

Day Cab with steel bumper, tinted glass and electric window openers. Main mirrors and wide angle mirrors electrically heated. Cab width 2130 mm.; Electrically adjustable mirrors; Mirror brackets, body 2.50-2.60 m; Front view mirror; Rear view camera.

Optional

02576 Extended Day Cab	02083 Two hazard beacon lights LED
02106 Sleeper Cab	
01173 Cab suspension mechanical	07343 Kerb view window co-driver door
01605 Cab suspension mechanical reinforced	00915 Side no glass / rear single glass
09983 Fog lights	09101 Green tinted glass, heated
09984 Fog lights and cornering lights	03605 Mirror brackets, body 2.10-2.29 m
06629 Two hazard beacon lights	09282 Mirror brackets, body 2.30-2.40 m
	09283 Mirror brackets, body 2.40-2.50 m

AERODYNAMICS

Optional

09286 Roof air deflector prepared	07092 Adjustable roof air deflector low (set)
06776 Adjustable roof air deflector	09287 Side collars prepared
07109 Adjustable roof air deflector high (set)	07112 Side collars long (set)

COLOURS

; Head lamp panel and bumper: Stone Grey; Cab steps and wing Stone Grey; Chassis colour grey..

Optional

06485 Head lamp panel and bumper: cab colour	16153 Cab and chassis colours
01109 Cab steps and wing in cab colour	

CAB INTERIOR

Left-hand drive (LHD); Mechanically adjustable steering column; Driver seat: air suspended; Co-driver seat: fixed velour; Storage box on engine tunnel.

Optional

01847 Right-hand drive (RHD)	04346 Lower bunk, normal level
09271 Steering wheel, leather, colour black	03703 Auxiliary cab heater Air Top 2000
03516 Pneumatically adjustable steering column	04246 Roof hatch, manual control
00967 Seat belts red	04258 Roof hatch, electric control
16158 Seat types	

COMMUNICATION AND DRIVING MANAGEMENT

FMS connector, prepared; Tachograph digital, Stoneridge 1C version G2V2; Driver Performance Assistant.

Optional

16155 Audio equipment, makes and types

SAFETY AND SECURITY

Speed limit recognition; DAF drowsiness detection; Drive-off Assist.

Optional

08631 Air bag (driver) and 2 seat belt tensioners	01723 No reverse warning
07414 Reverse warning with self-adjusting volume	16156 EC-ADR packages

SUSPENSION AND AXLES

Front axle type F36. Parabolic leaf suspension with shock absorbers and stabiliser. Max. load 3.6 tonnes.; Single reduction driven rear axle type SR5.14 with parabolic leaf suspension, including shock absorbers and stabiliser. Max. load 5.00 tonnes..

Optional

07523 Front: 3.60 t, parabolic HD, F36	00731 Rear: 5.00 t, raised parabolic HD, SR5.14
00919 Front: 3.60 t, parabolic raised HD, F36	00707 Rear: 5.00 t, air suspension, SR5.14
01927 Front springs parabolic raised, Heavy Duty	01372 Rear springs air
07368 Front springs parabolic, Heavy Duty	01983 Rear springs parabolic raised, Heavy Duty
00736 Rear: 5.00 t, parabolic Heavy Duty, SR5.14	00369 Rear springs parabolic, asymmetric
00730 Rear: 5.00 t, raised parabolic, SR5.14	08031 Rear springs parabolic, Heavy Duty
00688 Rear: 5.00 t, asymmetric parabolic, SR5.14	01959 Rear springs parabolic, raised

WHEELS AND TYRES

Front axle(s): 215/75R17.5; Driven rear axle(s): 215/75R17.5; Goodyear; Wheel protection rings silvergrey.

Optional

06764 Wheel protection rings black	16152 Tyre makes and types
---	-----------------------------------

DRIVELINE

Engine PX-5, 4 cylinder diesel engine, 4.5 litres. Output 139 kW (189 hp) at 2300 rpm. Max. torque 745 Nm at 1200-1700 rpm.; Exhaust emission Euro 6; Manual gearbox, 6 speeds; Gearbox ratio 6.58-0.78; Rear axle ratio 3.31.

Optional

07667 Automatic gearbox PowerLine, 8-speed	02808 Rear axle ratio 4.56
01879 Rear axle ratio 3.73	02843 Mechanical differential lock
02800 Rear axle ratio 4.10	

BRAKE SYSTEM

Exhaust brake.

Optional

06195 Park brake control with test position	09525 Park brake ctl with test pos and spoken warning
09524 Park brake control with spoken warning	

CHASSIS

Wheelbase 3.55 m / rear overhang 1.98 m; Side member height 210 mm; EAS unit right, discharge right rearward; Battery box left, no spare wheel carrier; Plastic fuel tank 110 l; Tank for AdBlue® 30 l, right-hand side chassis; Spray suppression.

Optional

04426 Batteries left, spare wheel carrier in re overhang	02011 Spare wheel carrier in rear overhang
04439 Battery box left, spare wheel carrier right	07071 Spare wheel carrier right-hand side
01623 Rear underrun protection	03323 Rear light with LEDs

DRAWBAR AND TRAILER EQUIPMENT

Closing member D-value = 0kN.

Optional

- | | |
|--|--|
| 06779 Cross member D85-Dc70 -V25, no coupling, mounted | 01185 Cross member D85-Dc70 -V25, ball coupling D85, mntd |
| 06657 Cross member D85-Dc70 -V25, coupling D85, mounted | 04661 D-value cross member D= 8.5 |

BODIES AND PREPARATIONS FOR BODYING

Application connector chassis; Standard body attachment hole pattern.

Optional

- | | |
|---|---|
| 09952 BodyBuilder Module (BBM) full | 01503 Side marker lights |
| 06691 Application connector on the cab front | 00126 Body attachment BAM 1, consoles type B |
| 02950 Application connector for hydraulic platform | 07487 Body attachment BAM 1, loose consoles supply |
| 09240 Application connector for refuse collector | 07488 Body attachment BAM 3, loose consoles supply |

POWER TAKE-OFF (PTO)

Optional

- | | |
|--|--|
| 06624 Indirect front engine PTO | 06282 Rear eng PTO 13h, permanent, pump drive |
| 06785 Front engine PTO, generator preparation 22.5 kW | 16148 PTO types and positions |

24V POWER SUPPLY

Alternator 80 A, batteries 2x 125 Ah..

Optional

- | | |
|-------------------------------|--------------------------------|
| 01897 Alternator 100 A | 08797 Batteries 2x175Ah |
|-------------------------------|--------------------------------|

GVM AND GCM

Chassis weight related technical GVM max 7500 kg; Driveline related technical GCM equal to GVM.

Optional

- | | |
|---|--|
| 01071 Chassis weight related technical GVM max 7490 kg | 00054 Driveline related max GCM 18000 kg |
| 08644 Chassis weight related technical GVM max 8300 kg | 03700 Driveline related technical GCM = GVM+3500 kg |
| 03428 Driveline related max GCM 16000 kg | |

APPLICATION CONDITIONS

Moisture separator, unheated; Air intake low.

Optional

- | | |
|---|---|
| 02270 Cold climate | 09960 Air intake on the cab roof |
| 04767 Moisture separator, heated | 04793 Radiator protection plate |
| 04482 Air intake high behind cab | |

VEHICLE DELIVERY

Standard toolkit.

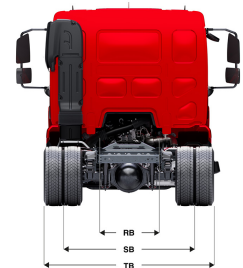
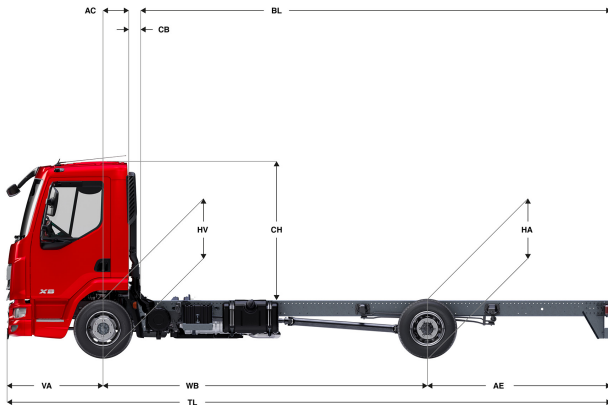
Optional

- | |
|-------------------------------------|
| 06491 Toolkit Eastern Europe |
|-------------------------------------|

Go to [DAF.com](https://www.daf.com) to configure your own perfect DAF.

XB 190

FA 4X2 Rigid, 08t



	Wheelbase - AE		Unladen weight ⁹⁾			Gross Carrying Capacity			Variable dimensions									
	WB	AE ⁵⁾	Front	Rear	Total	Front	Rear	Total	AC	CB ⁶⁾	CH ⁷⁾	BL ⁸⁾	BL	TL	HA ⁹⁾	HA ¹⁰⁾	TK ¹¹⁾	TW ¹²⁾
DAY CAB	3,15	1,73	2429	819	3248	1171	4181	4252	0,32	0,12	1,84	3,69	5,32	6,17	1,02	0,89	10,81	12,17
	3,55	1,98	2431	835	3266	1169	4165	4234	0,32	0,12	1,84	4,27	6,11	6,82	1,02	0,89	11,78	13,16
	3,90	2,23	2433	849	3282	1167	4151	4218	0,32	0,12	1,84	4,78	6,79	7,42	1,01	0,89	12,63	14,03
	4,30	2,43	2444	869	3314	1156	4131	4186	0,32	0,12	1,84	5,35	7,61	8,02	1,01	0,89	13,61	15,03
	4,65	2,75	2449	891	3341	1151	4109	4159	0,32	0,12	1,84	5,85	8,31	8,69	1,01	0,89	14,47	15,90
	5,00	2,83	2458	898	3357	1142	4102	4143	0,32	0,12	1,84	6,38	9,01	9,12	1,01	0,89	15,32	16,77
5,40	2,43	2478	885	3363	1122	4115	4137	0,32	0,12	1,84	7,00	9,86	9,12	1,01	0,90	16,31	17,77	
SLEEPER CAB	WB	AE ⁵⁾	Front	Rear	Total	Front	Rear	Total	AC	CB ⁶⁾	CH ⁷⁾	BL ⁸⁾	BL	TL	HA ⁹⁾	HA ¹⁰⁾	TK ¹¹⁾	TW ¹²⁾
	3,55	1,98	2538	852	3390	1062	4148	4110	0,72	0,07	1,87	3,69	5,58	6,82	1,01	0,89	11,78	13,16
	3,90	2,23	2541	865	3406	1059	4135	4094	0,72	0,07	1,87	4,21	6,30	7,42	1,01	0,89	12,63	14,03
	4,30	2,43	2554	884	3438	1046	4116	4062	0,72	0,07	1,87	4,82	7,14	8,02	1,01	0,89	13,61	15,03
	4,65	2,75	2560	905	3465	1040	4095	4035	0,72	0,07	1,87	5,34	7,86	8,69	1,01	0,89	14,47	15,90
	5,00	2,83	2570	911	3481	1030	4089	4019	0,72	0,07	1,87	5,87	8,59	9,12	1,01	0,89	15,32	16,77
5,40	2,43	2590	897	3487	1010	4103	4013	0,72	0,07	1,87	6,51	9,46	9,12	1,01	0,90	16,31	17,77	

OTHER DIMENSIONS	VA: 1,29	HV ¹³⁾ : 0,90	HV ¹⁴⁾ : 0,86	RB: 0,86	SB: 1,74	TB ¹⁵⁾ : 2,28
------------------	----------	--------------------------	--------------------------	----------	----------	--------------------------

1) GVM in conformity with registration documents.
 2) GCM in conformity with registration documents.
 3) Axle load with standard tyre size.
 4) Chassis and cab weight calculated with: Standard specification items only with 99 litres of fuel, 27 litres of AdBlue® and driver of 80 kg, tolerance ± 3%. Changing of the specification can have major impact on vehicle weight.
 5) Other AE dimensions may be available for shown WB. Modify rear overhang to the calculated body length.
 6) CB is based on standard air intake and/or exhaust.
 7) Cab height is measured from frame member to closed cabin roof hatch.

8) Calculate customer specific body length with TOPEC. Body lengths shown based on evenly distributed load at max axle load.
 9) Unladen height at centre of driven axle(s).
 10) Laden height at centre of driven axle(s).
 11) TK = turning circle between kerbs.
 12) TW = turning circle between walls.
 13) Unladen height at centre of front axle(s).
 14) Laden height at centre of front axle(s).
 15) TB is overall width at rear. (At centre of front axle 255).

Depending on the vehicle configuration a specific option may not be possible. The availability and specification of this vehicle may differ per country. For further information please contact the DAF organisation. Pictures and technical illustrations are not binding in detail and can differ from the standard specification. Subject to modification without prior notice.