

Specification sheet

CF 300

FAG 6X2 Rigid,

n-EC



ENGINES

CF 300 MX-11 (220 kW / 299 hp)

CF 340 MX-11 (251 kW / 341 hp)

GVM¹⁾

26999 kg

Max. front 8000 kg

Max. rear 18999 kg

GCM²⁾

38000 kg

CAB EXTERIOR

Day Cab with galvanised steel bumper, tinted glass and electric window openers. Main mirrors and wide angle mirrors electrically heated. Cab width 2300 mm.; LED daytime running lights; Manually adjustable main mirrors; No front view mirror.

Optional

02106 Sleeper Cab	09983 Fog lights
01137 Space Cab	09984 Fog lights and cornering lights
01226 Cab suspension air	06593 Skylights
01174 External sun visor green translucent	06628 One hazard beacon light at co-driver side
00847 Air horns, single set	06627 One hazard beacon light at driver side
09006 Air horns, double set	06629 Two hazard beacon lights
08020 LED head lights	

AERODYNAMICS

Optional

06776 Adjustable roof air deflector	04906 Side collars, one side hinged
--	--

COLOURS

Cab colour H3279 Brilliant White; Head lamp panel and bumper: Brilliant White; Chassis colour grey..

Optional

06485 Head lamp panel and bumper: cab colour	09933 Head lamp panel and bumper: Stone Grey
---	---

CAB INTERIOR

Cab interior trim colour Dark Sand; Cab interior decoration Black Rock; Driver seat: Comfort Air; Co-driver seat: basic; Automatic Temperature Control and airco; Pollen filter; Roof hatch glass, manual control.

Optional

09271 Steering wheel, leather, colour black	07748 Co-driver seat: Xtra Leather Air
07240 Steering wheel, leather, Exclusive	00967 Seat belts red
07733 Driver seat: Luxury Air	02117 Third seat
07736 Driver seat: Super Air	06539 Refrigerator
07737 Driver seat: Xtra Leather Air	06783 Lower bunk foam mattress
07741 Co-driver seat: Comfort Air	06784 Lower bunk mattress Xtra Comfort
07743 Co-driver seat: Luxury Air	06676 PL light in cab ceiling
07746 Co-driver seat: Super Air	06970 Automatic Cab Climate Control

COMMUNICATION AND DRIVING MANAGEMENT

Tachograph digital, VDO 1B; Speed limiter setting 85/90 km/h; Antennas: radio, 2x cellular, GNSS; Cruise control.

Optional

09681 Preparation for Maut	08023 Adaptive Cruise Control with FCW and AEBS-3
08450 Luxury speaker system with 6 speakers	06991 Predictive Cruise Control
07117 Radio/USB player, 2 speakers	06992 Predictive Cruise Control lite

SAFETY AND SECURITY

No Lane Departure Warning System; Vehicle Stability Control (VSC); Basic engine immobiliser system.

Optional

08631 Air bag (driver) and 2 seat belt tensioners	09827 Side camera system
09828 Front camera system	01725 Reverse warning

SUSPENSION AND AXLES

Front axle load 8.00 t; Rear: 11.50 + 7.50 t, air suspension, SR1344.

Optional

06257 Front axle load 9.00 t	00833 Rear axle load 12.05+7.45 t
04057 Rear axle HR1356	
04588 Rear axle SR1347	08191 Axle load monitoring

WHEELS AND TYRES

Front axle(s): 315/70R22.5; Second front or leading axle: 315/70R22.5; Driven rear axle(s): 315/70R22.5; Disc wheels steel, silvergrey; No wheel protection rings.

Optional

16152 Tyre makes and types

DRIVELINE

Engine MX-11, 6 cylinder diesel engine, 10.8 litres. Output 220 kW (299 hp) at 1675 rpm. Max. torque 1350 Nm at 900-1400 rpm.; Exhaust emission Euro 6; Engine idle shutdown, 5 minutes; Automated gearbox, TraXon, 12 speeds; Gearbox ratio 12.92-0.77; Rear axle ratio 4.11.

Optional

09889 Automatic gearbox, 6 speeds
--

BRAKE SYSTEM

Ventilated disc brakes front and rear. Dual circuit air system with electronic control (EBS). Twin cylinder air compressor with heated dryer and economy mode..

Optional

09921 MX Engine Brake	04901 Spring brake cylinders on the first front axle
02715 ZF Intarder	

CHASSIS

Wheelbase 4.80 m / rear overhang 0.92 m; Side member height 310 mm; Standard component location; Exhaust pipe horizontal, low; Aluminium fuel tank 340 l RH, height 620 mm; Tank for AdBlue® 45 l, right-hand side chassis; Front underrun protection (FUP); Spray suppression.

Optional

06611 Exhaust pipe vertical, high	03323 Rear light with LEDs
--	-----------------------------------

DRAWBAR AND TRAILER EQUIPMENT

D-value cross member D=13.7.

Optional

07033 Trailer coupling Ringfeder D=13.7	08027 Trailer coupling Rockinger D=20.0
07034 Trailer coupling Ringfeder D=20.0	04624 Closing member D-value = 0kN
08026 Trailer coupling Rockinger D=13.0	07032 D-value cross member D=20

BODIES AND PREPARATIONS FOR BODYING

Application connector on the cab front.

POWER TAKE-OFF (PTO)

Optional

16148 PTO types and positions

24V POWER SUPPLY

Alternator 80 A, batteries 2x 140 Ah..

Optional

06460	Alternator 120 A	07671	Batteries 2x210Ah AGM C-type
08775	Alternator 150 A	06440	Batteries 2x230Ah
08797	Batteries 2x175Ah		

GVM AND GCM

Chassis weight related technical GVM max 27000 kg; Driveline related max GCM 38000 kg class 2.

Optional

04330 Driveline related max GCM 27000 kg class 2

APPLICATION CONDITIONS

Cyclonic air intake behind the cab.

Optional

06639 Air intake on cab with in-line cyclonic filter

SERVICE AND MAINTENANCE

Standard Warranty takes care of 1 year complete vehicle as supplied by the OEM (excl. real wear parts), 2nd year driveline and 1st year breakdown.; ITS service.

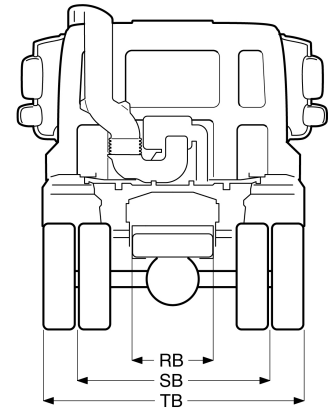
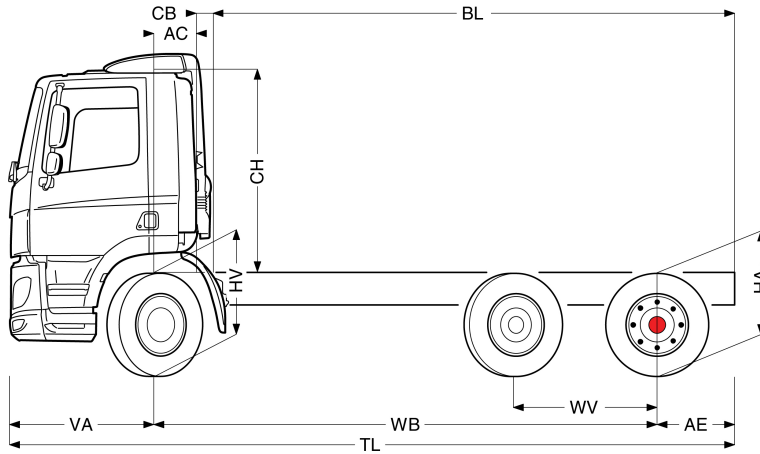


Go to [DAF.com](https://www.daf.com) to configure your own perfect DAF.

CF 300

FAG 6X2 Rigid,

n-EC



	Wheelbase - AE		Unladen weight ¹⁾			Gross Carrying Capacity			Variable dimensions										
	WB	AE ⁵⁾	Front	Rear	Total	Front	Rear	Total	AC	CB ⁶⁾	CH ⁷⁾	BL ⁸⁾	BL	TL	HA ⁹⁾	HA ¹⁰⁾	TK ¹¹⁾	TW ¹²⁾	
DAY CAB	4,80	0,92	4946	2683	7629	3054	16316	19370	0,39	0,18	1,94	6,06	6,06	7,09	1,02	0,99	16,10	17,35	
	5,35	1,00	4996	2725	7721	3004	16274	19278	0,39	0,18	1,94	7,00	7,00	7,72	1,02	1,00	17,69	18,96	
SLEEPER CAB	WB	AE ⁵⁾	Front	Rear	Total	Front	Rear	Total	AC	CB ⁶⁾	CH ⁷⁾	BL ⁸⁾	BL	TL	HA ⁹⁾	HA ¹⁰⁾	TK ¹¹⁾	TW ¹²⁾	
	4,80	0,92	4994	2695	7688	3006	16304	19310	0,82	0,16	1,94	5,26	5,26	7,09	1,02	0,99	16,10	17,35	
	5,35	0,92	5063	2739	7801	2937	16260	19197	0,82	0,16	1,94	6,21	6,21	7,64	1,02	0,99	17,69	18,96	
SPACE CAB	WB	AE ⁵⁾	Front	Rear	Total	Front	Rear	Total	AC	CB ⁶⁾	CH ⁷⁾	BL ⁸⁾	BL	TL	HA ⁹⁾	HA ¹⁰⁾	TK ¹¹⁾	TW ¹²⁾	
	4,80	0,92	5103	2696	7799	2897	16302	19199	0,82	0,16	2,62	5,30	5,30	7,09	1,02	0,99	16,10	17,35	
	5,35	0,92	5172	2740	7912	2828	16259	19087	0,82	0,16	2,62	6,26	6,26	7,64	1,02	0,99	17,69	18,96	

OTHER DIMENSIONS VA: 1,37 WV: 1,37 HV¹³⁾: 1,02 HV¹⁴⁾: 0,90 RB: 0,79 SB: 1,82 TB¹⁵⁾: 2,48

- GVM in conformity with registration documents.
- GCM in conformity with registration documents.
- Axle load with standard tyre size.
- Chassis and cab weight calculated with: Standard specification items only with 0 litres of fuel, 0 litres of AdBlue® and driver of 0 kg, tolerance ± 3%. Changing of the specification can have major impact on vehicle weight.
- Other AE dimensions may be available for shown WB. Modify rear overhang to the calculated body length.
- CB is based on standard air intake and/or exhaust.
- Cab height is measured from frame member to closed cabin roof hatch.

- Calculate customer specific body length with TOPEC. Body lengths shown based on evenly distributed load at max axle load.
- Unladen height at centre of driven axle (leading axle down).
- Laden height at centre of driven axle(s).
- TK = turning circle between kerbs.
- TW = turning circle between walls.
- Unladen height at centre of front axle(s).
- Laden height at centre of front axle(s).
- TB is overall width at rear. (At lower cab step 255).

Depending on the vehicle configuration a specific option may not be possible. The availability and specification of this vehicle may differ per country. For further information please contact the DAF organisation. Pictures and technical illustrations are not binding in detail and can differ from the standard specification. Subject to modification without prior notice.