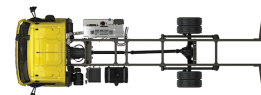


# Specification sheet

## XB 190

FA 4X2 Rigid, 08t



### ENGINES

- XB NewGen 170 PX-5 (124 kW / 169 hp)
- XB NewGen 190 PX-5 (139 kW / 189 hp)
- XB NewGen 210 PX-5 (153 kW / 208 hp)
- XB NewGen 230 PX-7 (167 kW / 227 hp)

### GVM<sup>1)</sup>

- 7500 kg
- 
- Max. front 3600 kg
- Max. rear 5000 kg

### GCM<sup>2)</sup>

- 7500 kg
- 
- 
- 

018F3802AAAA - 202437D - 28-05-2024

DAF Distributors Ireland, Baldonnell, Dublin 22, [www.daf.ie](http://www.daf.ie)

## CAB EXTERIOR

Day Cab with steel bumper, tinted glass and electric window openers. Main mirrors and wide angle mirrors electrically heated. Cab width 2130 mm.; Electrically adjustable mirrors; Mirror brackets, body 2.50-2.60 m; Front view mirror; Rear view camera.

### Optional

|   |  |
|---|--|
| <b>02576</b> Extended Day Cab                     | <b>02083</b> Two hazard beacon lights LED      |
| <b>02106</b> Sleeper Cab                          | <b>07343</b> Kerb view window co-driver door   |
| <b>01173</b> Cab suspension mechanical            | <b>00915</b> Side no glass / rear single glass |
| <b>01605</b> Cab suspension mechanical reinforced | <b>09101</b> Green tinted glass, heated        |
| <b>09983</b> Fog lights                           | <b>03605</b> Mirror brackets, body 2.10-2.29 m |
| <b>09984</b> Fog lights and cornering lights      | <b>09282</b> Mirror brackets, body 2.30-2.40 m |
| <b>06629</b> Two hazard beacon lights             | <b>09283</b> Mirror brackets, body 2.40-2.50 m |

## AERODYNAMICS

### Optional

|   |  |
|---|--|
| <b>09286</b> Roof air deflector prepared              | <b>07092</b> Adjustable roof air deflector low (set) |
| <b>06776</b> Adjustable roof air deflector            | <b>09287</b> Side collars prepared                   |
| <b>07109</b> Adjustable roof air deflector high (set) | <b>07112</b> Side collars long (set)                 |

## COLOURS

; Head lamp panel and bumper: Stone Grey; Cab steps and wing Stone Grey; Chassis colour grey..

### Optional

|   |                                      |
|---|--------------------------------------|
| <b>06485</b> Head lamp panel and bumper: cab colour | <b>16153</b> Cab and chassis colours |
| <b>01109</b> Cab steps and wing in cab colour       |                                      |

## CAB INTERIOR

Right-hand drive (RHD); Mechanically adjustable steering column; Driver seat: air suspended; Co-driver seat: fixed velour; Storage box on engine tunnel.

### Optional

|   |  |
|---|--|
| <b>01846</b> Left-hand drive (LHD)                    | <b>04346</b> Lower bunk, normal level          |
| <b>09271</b> Steering wheel, leather, colour black    | <b>03703</b> Auxiliary cab heater Air Top 2000 |
| <b>03516</b> Pneumatically adjustable steering column | <b>04246</b> Roof hatch, manual control        |
| <b>00967</b> Seat belts red                           | <b>04258</b> Roof hatch, electric control      |
| <b>16158</b> Seat types                               |  |

## COMMUNICATION AND DRIVING MANAGEMENT

FMS connector, prepared; Tachograph digital, Stoneridge 1C version G2V2; Driver Performance Assistant.

### Optional

|   |
|---|
| <b>16155</b> Audio equipment, makes and types |
|---|

## SAFETY AND SECURITY

Speed limit recognition; DAF drowsiness detection; Drive-off Assist.

### Optional

|  |                                 |
|--|---------------------------------|
| <b>08631</b> Air bag (driver) and 2 seat belt tensioners | <b>01723</b> No reverse warning |
| <b>07414</b> Reverse warning with self-adjusting volume  | <b>16156</b> EC-ADR packages    |

## SUSPENSION AND AXLES

Front axle type F36. Parabolic leaf suspension with shock absorbers and stabiliser. Max. load 3.6 tonnes.; Single reduction driven rear axle type SR5.14 with parabolic leaf suspension, including shock absorbers and stabiliser. Max. load 5.00 tonnes..

### Optional

|   |  |
|---|--|
| <b>07523</b> Front: 3.60 t, parabolic HD, F36           | <b>00731</b> Rear: 5.00 t, raised parabolic HD, SR5.14 |
| <b>00919</b> Front: 3.60 t, parabolic raised HD, F36    | <b>00707</b> Rear: 5.00 t, air suspension, SR5.14      |
| <b>01927</b> Front springs parabolic raised, Heavy Duty | <b>01372</b> Rear springs air                          |
| <b>07368</b> Front springs parabolic, Heavy Duty        | <b>01983</b> Rear springs parabolic raised, Heavy Duty |
| <b>00736</b> Rear: 5.00 t, parabolic Heavy Duty, SR5.14 | <b>00369</b> Rear springs parabolic, asymmetric        |
| <b>00730</b> Rear: 5.00 t, raised parabolic, SR5.14     | <b>08031</b> Rear springs parabolic, Heavy Duty        |
| <b>00688</b> Rear: 5.00 t, asymmetric parabolic, SR5.14 | <b>01959</b> Rear springs parabolic, raised            |

## WHEELS AND TYRES

Front axle(s): 215/75R17.5; Driven rear axle(s): 215/75R17.5; Goodyear; Wheel protection rings silvergrey.

### Optional

|   |                                   |
|---|-----------------------------------|
| <b>06764</b> Wheel protection rings black | <b>16152</b> Tyre makes and types |
|---|-----------------------------------|

## DRIVELINE

Engine PX-5, 4 cylinder diesel engine, 4.5 litres. Output 139 kW (189 hp) at 2300 rpm. Max. torque 745 Nm at 1200-1700 rpm.; Exhaust emission Euro 6; Manual gearbox, 6 speeds; Gearbox ratio 6.58-0.78; Rear axle ratio 3.31.

### Optional

|   |   |
|---|---|
| <b>07667</b> Automatic gearbox PowerLine, 8-speed | <b>02808</b> Rear axle ratio 4.56         |
| <b>01879</b> Rear axle ratio 3.73                 | <b>02843</b> Mechanical differential lock |
| <b>02800</b> Rear axle ratio 4.10                 |   |

## BRAKE SYSTEM

Exhaust brake.

### Optional

|   |  |
|---|--|
| <b>06195</b> Park brake control with test position  | <b>09525</b> Park brake ctl with test pos and spoken warning |
| <b>09524</b> Park brake control with spoken warning |  |

## CHASSIS

Wheelbase 3.55 m / rear overhang 1.98 m; Side member height 210 mm; EAS unit right, discharge right rearward; Battery box left, no spare wheel carrier; Plastic fuel tank 110 l; Tank for AdBlue® 30 l, right-hand side chassis; Spray suppression.

### Optional

|   |   |
|---|---|
| <b>04426</b> Batteries left, spare wheel carrier in re overhang | <b>02011</b> Spare wheel carrier in rear overhang |
| <b>04439</b> Battery box left, spare wheel carrier right        | <b>07071</b> Spare wheel carrier right-hand side  |
| <b>01623</b> Rear underrun protection                           | <b>03323</b> Rear light with LEDs                 |

## DRAWBAR AND TRAILER EQUIPMENT

Closing member.

### Optional

- |  |  |
|--|--|
| <b>06779</b> Cross member D85-Dc70 -V25, no coupling, mounted  | <b>01185</b> Cross member D85-Dc70 -V25, ball coupling D85, mntd |
| <b>06657</b> Cross member D85-Dc70 -V25, coupling D85, mounted | <b>04661</b> D-value cross member D=8.5                          |

## BODIES AND PREPARATIONS FOR BODYING

Application connector chassis; Standard body attachment hole pattern.

### Optional

- |   |   |
|---|---|
| <b>09952</b> BodyBuilder Module (BBM) full                | <b>01502</b> No side marker lights                        |
| <b>06691</b> Application connector on the cab front       | <b>00126</b> Body attachment BAM 1, consoles type B       |
| <b>02950</b> Application connector for hydraulic platform | <b>07487</b> Body attachment BAM 1, loose consoles supply |
| <b>09240</b> Application connector for refuse collector   | <b>07488</b> Body attachment BAM 3, loose consoles supply |

## POWER TAKE-OFF (PTO)

### Optional

- |  |  |
|--|--|
| <b>06624</b> Indirect front engine PTO                       | <b>06282</b> Rear eng PTO 13h, permanent, pump drive |
| <b>06785</b> Front engine PTO, generator preparation 22.5 kW | <b>16148</b> PTO types and positions                 |

## 24V POWER SUPPLY

Alternator 80 A, batteries 2x 125 Ah..

### Optional

- |                               |                                |
|-------------------------------|--------------------------------|
| <b>01897</b> Alternator 100 A | <b>08797</b> Batteries 2x175Ah |
|-------------------------------|--------------------------------|

## GVM AND GCM

Chassis weight related technical GVM max 7500 kg; Driveline related technical GCM equal to GVM.

### Optional

- |   |  |
|---|--|
| <b>01071</b> Chassis weight related technical GVM max 7490 kg | <b>00054</b> Driveline related max GCM 18000 kg            |
| <b>08644</b> Chassis weight related technical GVM max 8300 kg | <b>03700</b> Driveline related technical GCM = GVM+3500 kg |
| <b>03428</b> Driveline related max GCM 16000 kg               |  |

## APPLICATION CONDITIONS

Moisture separator, unheated; Air intake low.

### Optional

- |   |   |
|---|---|
| <b>02270</b> Cold climate               | <b>09960</b> Air intake on the cab roof |
| <b>04767</b> Moisture separator, heated | <b>04793</b> Radiator protection plate  |
| <b>04482</b> Air intake high behind cab |   |

## VEHICLE DELIVERY

Standard toolkit.

### Optional

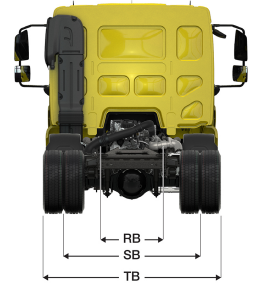
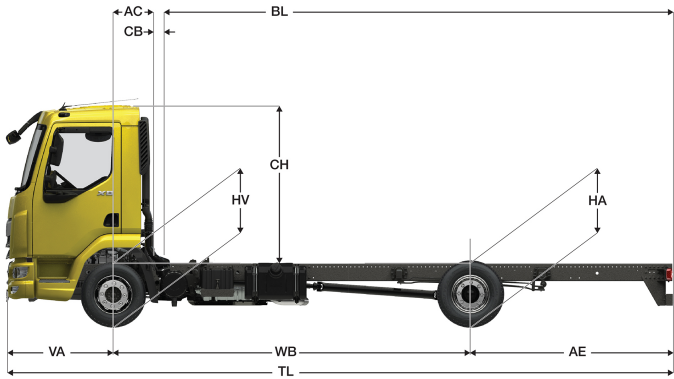
- |                                     |
|-------------------------------------|
| <b>06491</b> Toolkit Eastern Europe |
|-------------------------------------|



Go to [DAF.com](https://www.daf.com) to configure your own perfect DAF.

# XB 190

FA 4X2 Rigid, 08t



|             | Wheelbase - AE |                  | Unladen weight <sup>9)</sup> |      |       | Gross Carrying Capacity |      |       | Variable dimensions |                  |                  |                  |      |      |                  |                   |                   |                   |
|-------------|----------------|------------------|------------------------------|------|-------|-------------------------|------|-------|---------------------|------------------|------------------|------------------|------|------|------------------|-------------------|-------------------|-------------------|
|             | WB             | AE <sup>5)</sup> | Front                        | Rear | Total | Front                   | Rear | Total | AC                  | CB <sup>6)</sup> | CH <sup>7)</sup> | BL <sup>8)</sup> | BL   | TL   | HA <sup>9)</sup> | HA <sup>10)</sup> | TK <sup>11)</sup> | TW <sup>12)</sup> |
| DAY CAB     | 3,15           | 1,73             | 2446                         | 826  | 3272  | 1154                    | 4174 | 4228  | 0,32                | 0,12             | 1,84             | 3,71             | 5,34 | 6,17 | 1,02             | 0,89              | 10,81             | 12,17             |
|             | 3,55           | 1,98             | 2448                         | 841  | 3290  | 1152                    | 4159 | 4210  | 0,32                | 0,12             | 1,84             | 4,29             | 6,14 | 6,82 | 1,02             | 0,89              | 11,78             | 13,16             |
|             | 3,90           | 2,23             | 2451                         | 855  | 3306  | 1149                    | 4145 | 4194  | 0,32                | 0,12             | 1,84             | 4,80             | 6,83 | 7,42 | 1,01             | 0,89              | 12,63             | 14,03             |
|             | 4,30           | 2,43             | 2463                         | 875  | 3338  | 1137                    | 4125 | 4162  | 0,32                | 0,12             | 1,84             | 5,38             | 7,65 | 8,02 | 1,01             | 0,89              | 13,61             | 15,03             |
|             | 4,65           | 2,75             | 2468                         | 897  | 3365  | 1132                    | 4103 | 4135  | 0,32                | 0,12             | 1,84             | 5,88             | 8,35 | 8,69 | 1,01             | 0,89              | 14,47             | 15,90             |
|             | 5,00           | 2,83             | 2478                         | 904  | 3381  | 1122                    | 4096 | 4119  | 0,32                | 0,12             | 1,84             | 6,41             | 9,06 | 9,12 | 1,01             | 0,90              | 15,32             | 16,77             |
|             | 5,40           | 2,43             | 2498                         | 890  | 3388  | 1102                    | 4110 | 4112  | 0,32                | 0,12             | 1,84             | 7,05             | 9,92 | 9,12 | 1,01             | 0,90              | 16,31             | 17,77             |
| SLEEPER CAB | WB             | AE <sup>5)</sup> | Front                        | Rear | Total | Front                   | Rear | Total | AC                  | CB <sup>6)</sup> | CH <sup>7)</sup> | BL <sup>8)</sup> | BL   | TL   | HA <sup>9)</sup> | HA <sup>10)</sup> | TK <sup>11)</sup> | TW <sup>12)</sup> |
|             | 3,55           | 1,98             | 2555                         | 859  | 3414  | 1045                    | 4141 | 4086  | 0,72                | 0,07             | 1,87             | 3,71             | 5,62 | 6,82 | 1,01             | 0,89              | 11,78             | 13,16             |
|             | 3,90           | 2,23             | 2559                         | 871  | 3430  | 1041                    | 4129 | 4070  | 0,72                | 0,07             | 1,87             | 4,24             | 6,33 | 7,42 | 1,01             | 0,89              | 12,63             | 14,03             |
|             | 4,30           | 2,43             | 2572                         | 890  | 3462  | 1028                    | 4110 | 4038  | 0,72                | 0,07             | 1,87             | 4,84             | 7,17 | 8,02 | 1,01             | 0,89              | 13,61             | 15,03             |
|             | 4,65           | 2,75             | 2579                         | 910  | 3489  | 1021                    | 4090 | 4011  | 0,72                | 0,07             | 1,87             | 5,36             | 7,90 | 8,69 | 1,01             | 0,89              | 14,47             | 15,90             |
|             | 5,00           | 2,83             | 2589                         | 916  | 3505  | 1011                    | 4084 | 3995  | 0,72                | 0,07             | 1,87             | 5,91             | 8,64 | 9,12 | 1,01             | 0,89              | 15,32             | 16,77             |
|             | 5,40           | 2,43             | 2610                         | 902  | 3512  | 990                     | 4098 | 3988  | 0,72                | 0,07             | 1,87             | 6,56             | 9,52 | 9,12 | 1,01             | 0,90              | 16,31             | 17,77             |

OTHER DIMENSIONS VA: 1,29 HV<sup>13)</sup>: 0,90 HV<sup>14)</sup>: 0,86 RB: 0,86 SB: 1,74 TB<sup>15)</sup>: 2,28

1) GVM in conformity with registration documents.  
 2) GCM in conformity with registration documents.  
 3) Axle load with standard tyre size.  
 4) Chassis and cab weight calculated with: Standard specification items only with 110 litres of fuel, 30 litres of AdBlue® and driver of 90 kg, tolerance ± 3%. Changing of the specification can have major impact on vehicle weight.  
 5) Other AE dimensions may be available for shown WB. Modify rear overhang to the calculated body length.  
 6) CB is based on standard air intake and/or exhaust.  
 7) Cab height is measured from frame member to closed cabin roof hatch.

8) Calculate customer specific body length with TOPEC. Body lengths shown based on evenly distributed load at max axle load.  
 9) Unladen height at centre of driven axle(s).  
 10) Laden height at centre of driven axle(s).  
 11) TK = turning circle between kerbs.  
 12) TW = turning circle between walls.  
 13) Unladen height at centre of front axle(s).  
 14) Laden height at centre of front axle(s).  
 15) TB is overall width at rear. (At centre of front axle 255).

Depending on the vehicle configuration a specific option may not be possible. The availability and specification of this vehicle may differ per country. For further information please contact the DAF organisation. Pictures and technical illustrations are not binding in detail and can differ from the standard specification. Subject to modification without prior notice.