

# Specification sheet

# CF 300

FA 4X2 Rigid



## ENGINES

CF 300 MX-11 (220 kW / 299 hp)

CF 340 MX-11 (251 kW / 341 hp)

## GVM<sup>1)</sup>

18000 kg

## GCM<sup>2)</sup>

38000 kg

Max. front 8000 kg

Max. rear 10000 kg

## CAB EXTERIOR

Day Cab with galvanised steel bumper, tinted glass and electric window openers. Main mirrors and wide angle mirrors electrically heated. Cab width 2300 mm.; LED daytime running lights; Manually adjustable main mirrors; No front view mirror.

### Optional

<b>02106</b> Sleeper Cab	<b>09983</b> Fog lights
<b>01137</b> Space Cab	<b>09984</b> Fog lights and cornering lights
<b>01226</b> Cab suspension air	<b>06593</b> Skylights
<b>01174</b> External sun visor green translucent	<b>06628</b> One hazard beacon light at co-driver side
<b>00847</b> Air horns, single set	<b>06627</b> One hazard beacon light at driver side
<b>09006</b> Air horns, double set	<b>06629</b> Two hazard beacon lights
<b>08020</b> LED head lights	

## AERODYNAMICS

### Optional

<b>06776</b> Adjustable roof air deflector	<b>04906</b> Side collars, one side hinged
--	--

## COLOURS

Cab colour H3279 Brilliant White; Head lamp panel and bumper: Brilliant White; Chassis colour grey..

### Optional

<b>06485</b> Head lamp panel and bumper: cab colour	<b>09933</b> Head lamp panel and bumper: Stone Grey
---	---

## CAB INTERIOR

Cab interior trim colour Dark Sand; Cab interior decoration Black Rock; Driver seat: Comfort Air; Co-driver seat: basic; Automatic Temperature Control and airco; Pollen filter; Roof hatch glass, manual control.

### Optional

<b>09271</b> Steering wheel, leather, colour black	<b>00967</b> Seat belts red
<b>07733</b> Driver seat: Luxury Air	<b>02117</b> Third seat
<b>07736</b> Driver seat: Super Air	<b>06539</b> Refrigerator
<b>07737</b> Driver seat: Xtra Leather Air	<b>06783</b> Lower bunk foam mattress
<b>07741</b> Co-driver seat: Comfort Air	<b>06784</b> Lower bunk mattress Xtra Comfort
<b>07743</b> Co-driver seat: Luxury Air	<b>06676</b> PL light in cab ceiling
<b>07746</b> Co-driver seat: Super Air	<b>06970</b> Automatic Cab Climate Control
<b>07748</b> Co-driver seat: Xtra Leather Air	

## COMMUNICATION AND DRIVING MANAGEMENT

Tachograph mechanical; Speed limiter setting 85/90 km/h; Antennas: radio, 2x cellular, GNSS; Cruise control.

### Optional

<b>09681</b> Preparation for Maut	<b>08023</b> Adaptive Cruise Control with FCW and AEBS-3
<b>08450</b> Luxury speaker system with 6 speakers	<b>06991</b> Predictive Cruise Control
<b>07117</b> Radio/USB player, 2 speakers	<b>06992</b> Predictive Cruise Control lite

## SAFETY AND SECURITY

No Lane Departure Warning System; Vehicle Stability Control (VSC); Basic engine immobiliser system.

### Optional

<b>08631</b> Air bag (driver) and 2 seat belt tensioners	<b>09827</b> Side camera system
<b>09828</b> Front camera system	<b>01725</b> Reverse warning

## SUSPENSION AND AXLES

Front axle load 8.00 t; Rear: 13.00 t, air suspension, SR1344.

### Optional

<b>06257</b> Front axle load 9.00 t	<b>01603</b> Rear springs parabolic
<b>04057</b> Rear axle HR1356	<b>08191</b> Axle load monitoring
<b>04588</b> Rear axle SR1347	

## WHEELS AND TYRES

Front axle(s): 315/70R22.5; Driven rear axle(s): 315/70R22.5; Disc wheels steel, silvergrey; No wheel protection rings.

### Optional

<b>16152</b> Tyre makes and types
-----------------------------------

## DRIVELINE

Engine MX-11, 6 cylinder diesel engine, 10.8 litres. Output 220 kW (299 hp) at 1675 rpm. Max. torque 1350 Nm at 900-1400 rpm.; Exhaust emission Euro 6; Engine idle shutdown, 5 minutes; Manual gearbox, 16 speeds; Gearbox ratio 13.80-0.84; Rear axle ratio 3.08.

### Optional

<b>04393</b> Manual gearbox, 9 speeds	<b>07102</b> Automated gearbox, TraXon, 12 speeds
---------------------------------------	---

## BRAKE SYSTEM

Ventilated disc brakes front and rear. Dual circuit air system with electronic control (EBS). Twin cylinder air compressor with heated dryer and economy mode..

### Optional

<b>09921</b> MX Engine Brake	<b>04901</b> Spring brake cylinders on the first front axle
<b>02715</b> ZF Intarder	

## CHASSIS

Wheelbase 5.10 m / rear overhang 2.30 m; Side member height 310 mm; Standard component location; Exhaust pipe horizontal, low; Aluminium fuel tank 340 l, height 620 mm; Tank for AdBlue® 45 l, left-hand side chassis; Front underrun protection (FUP); Spray suppression.

### Optional

<b>06611</b> Exhaust pipe vertical, high	<b>03323</b> Rear light with LEDs
<b>07071</b> Spare wheel carrier right-hand side	

## DRAWBAR AND TRAILER EQUIPMENT

Closing member.

### Optional

<b>07033</b> Trailer coupling Ringfeder D=13.7	<b>08027</b> Trailer coupling Rockinger D=20.0
<b>07034</b> Trailer coupling Ringfeder D=20.0	<b>07029</b> D-value cross member D=13.7
<b>08026</b> Trailer coupling Rockinger D=13.0	<b>07032</b> D-value cross member D=20

## BODIES AND PREPARATIONS FOR BODYING

Application connector on the cab front.

## POWER TAKE-OFF (PTO)

**Optional**

16148 PTO types and positions

**24V POWER SUPPLY**

Alternator 80 A, batteries 2x 140 Ah..

**Optional**

- |       |                   |       |                       |
|-------|-------------------|-------|-----------------------|
| 06460 | Alternator 120 A  | 07671 | Batteries 2x210Ah AGM |
| 08775 | Alternator 150 A  |       | C-type                |
| 08797 | Batteries 2x175Ah | 06440 | Batteries 2x230Ah     |

**GVM AND GCM**

Chassis weight related technical GVM max 20500 kg; Driveline related max GCM 38000 kg class 2.

**APPLICATION CONDITIONS**

Cyclonic air intake behind the cab.

**SERVICE AND MAINTENANCE**

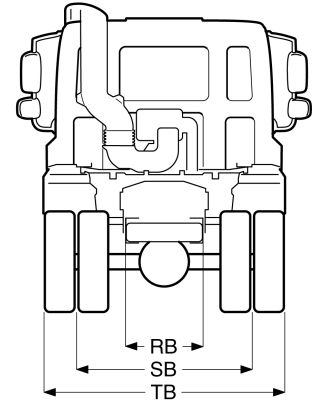
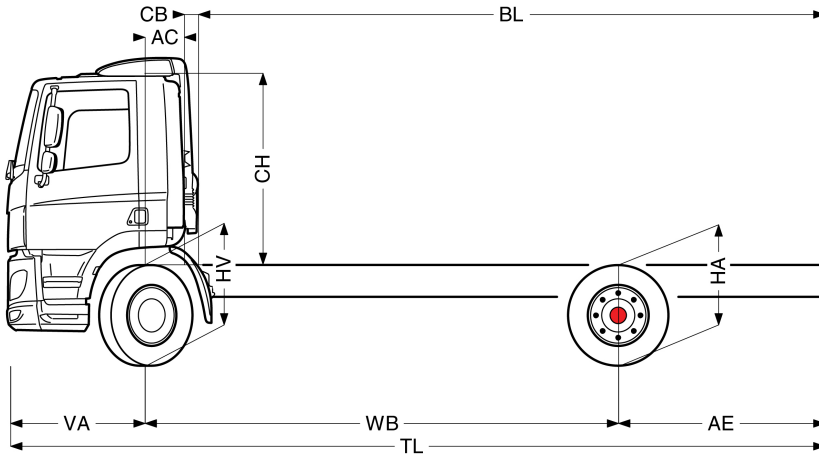
Standard Warranty takes care of 1 year complete vehicle as supplied by the OEM (excl. real wear parts), 2nd year driveline and 1st year breakdown.; ITS service.



Go to [DAF.com](https://www.daf.com) to configure your own perfect DAF.

# CF 300

## FA 4X2 Rigid



	Wheelbase - AE		Unladen weight <sup>9)</sup>			Gross Carrying Capacity			Variable dimensions									
	WB	AE <sup>8)</sup>	Front	Rear	Total	Front	Rear	Total	AC	CB <sup>8)</sup>	CH <sup>7)</sup>	BL <sup>8)</sup>	BL	TL	HA <sup>9)</sup>	HA <sup>10)</sup>	TK <sup>11)</sup>	TW <sup>12)</sup>
DAY CAB	4,00	1,70	4820	1937	6757	3180	8063	11243	0,39	0,18	1,94	5,01	5,30	7,07	1,02	0,99	14,01	15,37
	4,20	1,80	4940	1976	6916	4060	8024	11084	0,39	0,18	1,94	4,75	5,67	7,37	1,02	0,99	14,50	15,87
	4,50	1,95	4947	2029	6976	4053	7971	11024	0,39	0,18	1,94	5,17	6,16	7,82	1,02	0,99	15,28	16,66
	4,70	2,05	4790	1996	6786	3210	8004	11214	0,39	0,18	1,94	6,06	6,40	8,12	1,02	0,99	15,83	17,22
	4,90	2,15	4788	2020	6808	3212	7980	11192	0,39	0,18	1,94	6,37	6,71	8,42	1,02	0,99	16,35	17,75
	5,10	2,30	4783	2044	6827	3217	7956	11173	0,39	0,18	1,94	6,67	7,03	8,77	1,02	0,99	16,87	18,28
SLEEPER CAB	5,40	2,40	4833	2139	6972	3167	7861	11028	0,39	0,18	1,94	7,14	7,53	9,17	1,02	0,99	17,66	19,07
	5,70	2,65	4834	2190	7023	3166	7810	10977	0,39	0,18	1,94	7,59	7,99	9,72	1,02	0,99	18,44	19,86
	4,00	1,70	4868	1950	6818	3132	8050	11182	0,82	0,16	1,94	4,21	4,50	7,07	1,02	0,99	14,01	15,37
	4,20	1,80	4993	1988	6981	4007	8012	11019	0,82	0,16	1,94	3,96	4,87	7,37	1,02	0,99	14,50	15,87
	4,50	1,95	5001	2041	7042	3999	7959	10958	0,82	0,16	1,94	4,37	5,37	7,82	1,02	0,99	15,28	16,66
	4,70	2,05	4840	2007	6847	3160	7993	11153	0,82	0,16	1,94	5,27	5,60	8,12	1,02	0,99	15,83	17,22
SPACE CAB	4,90	2,15	4839	2031	6870	3161	7969	11130	0,82	0,16	1,94	5,58	5,92	8,42	1,02	0,99	16,35	17,75
	5,10	2,30	4834	2054	6889	3166	7946	11111	0,82	0,16	1,94	5,87	6,23	8,77	1,02	0,99	16,87	18,28
	5,40	2,40	4885	2149	7034	3115	7851	10966	0,82	0,16	1,94	6,35	6,73	9,17	1,02	0,99	17,66	19,07
	5,70	2,65	4886	2199	7085	3114	7801	10915	0,82	0,16	1,94	6,80	7,22	9,72	1,02	0,99	18,44	19,86
	4,00	1,70	4977	1951	6929	3023	8049	11071	0,82	0,16	2,62	4,26	4,55	7,07	1,02	0,99	14,01	15,37
	4,20	1,80	5103	1989	7092	3897	8011	10908	0,82	0,16	2,62	4,00	4,93	7,37	1,02	0,99	14,50	15,87
SPACE CAB	4,50	1,95	5111	2042	7153	3889	7958	10847	0,82	0,16	2,62	4,42	5,42	7,82	1,02	0,99	15,28	16,66
	4,70	2,05	4950	2009	6958	3050	7991	11042	0,82	0,16	2,62	5,33	5,66	8,12	1,02	0,99	15,83	17,22
	4,90	2,15	4949	2032	6981	3051	7968	11019	0,82	0,16	2,62	5,64	5,98	8,42	1,02	0,99	16,35	17,75
	5,10	2,30	4944	2055	6999	3056	7945	11001	0,82	0,16	2,62	5,94	6,30	8,77	1,02	0,99	16,87	18,28
	5,40	2,40	4994	2150	7144	3006	7850	10856	0,82	0,16	2,62	6,42	6,81	9,17	1,02	0,99	17,66	19,07
	5,70	2,65	4996	2200	7196	3004	7800	10804	0,82	0,16	2,62	6,88	7,29	9,72	1,02	0,99	18,44	19,86

OTHER DIMENSIONS VA: 1,37 HV<sup>13)</sup>: 1,03 HV<sup>14)</sup>: 0,95 RB: 0,79 SB: 1,82 TB<sup>15)</sup>: 2,48

- GVM in conformity with registration documents.
- GCM in conformity with registration documents.
- Axle load with standard tyre size.
- Chassis and cab weight calculated with: Standard specification items only with 340 litres of fuel, 45 litres of AdBlue® and driver of 80 kg, tolerance ± 3%. Changing of the specification can have major impact on vehicle weight.
- Other AE dimensions may be available for shown WB. Modify rear overhang to the calculated body length.
- CB is based on standard air intake and/or exhaust.
- Cab height is measured from frame member to closed cabin roof hatch.

- Calculate customer specific body length with TOPEC. Body lengths shown based on evenly distributed load at max axle load.
- Unladen height at centre of driven axle(s).
- Laden height at centre of driven axle(s).
- TK = turning circle between kerbs.
- TW = turning circle between walls.
- Unladen height at centre of front axle(s).
- Laden height at centre of front axle(s).
- TB is overall width at rear. (At lower cab step 255).

Depending on the vehicle configuration a specific option may not be possible. The availability and specification of this vehicle may differ per country. For further information please contact the DAF organisation. Pictures and technical illustrations are not binding in detail and can differ from the standard specification. Subject to modification without prior notice.