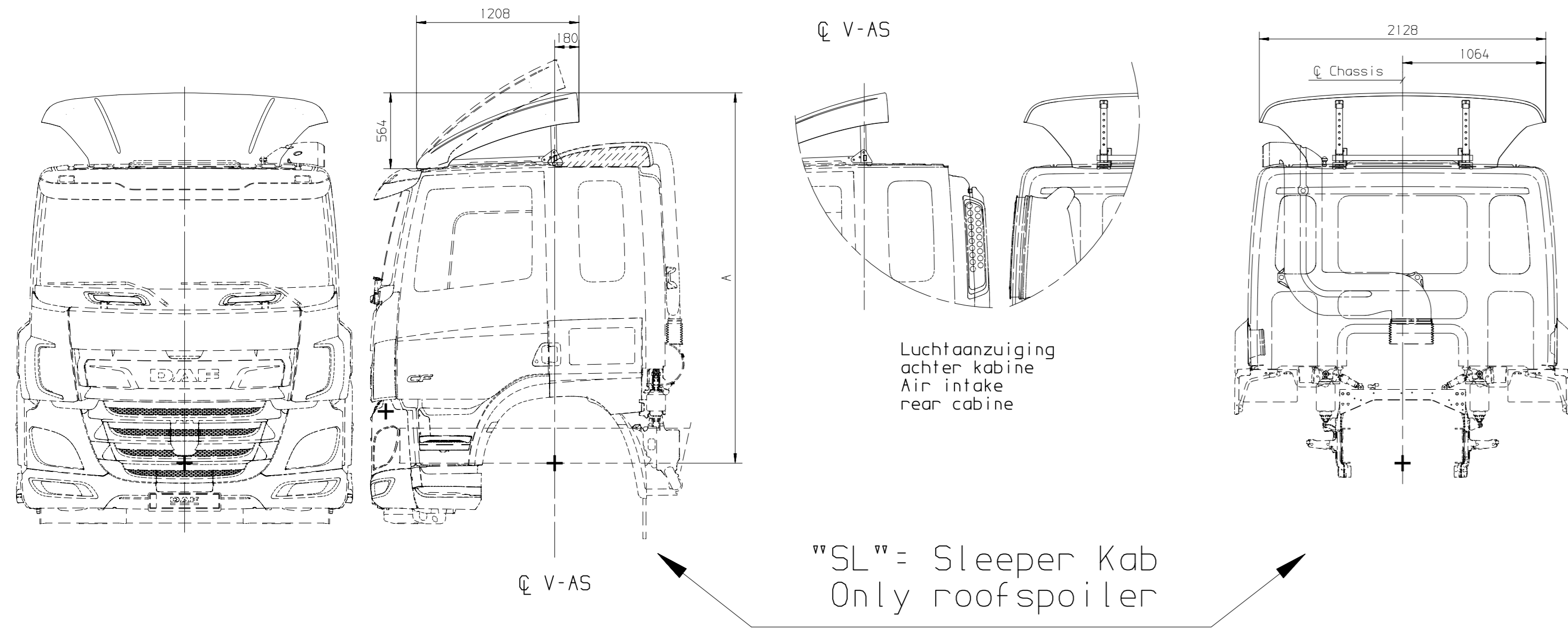


Option code 06775: Basic adjustable roof air deflector
 04905: No side collars
 09960: Air intake on the cab roof
 09961: Cyclonic air intake behind the cab

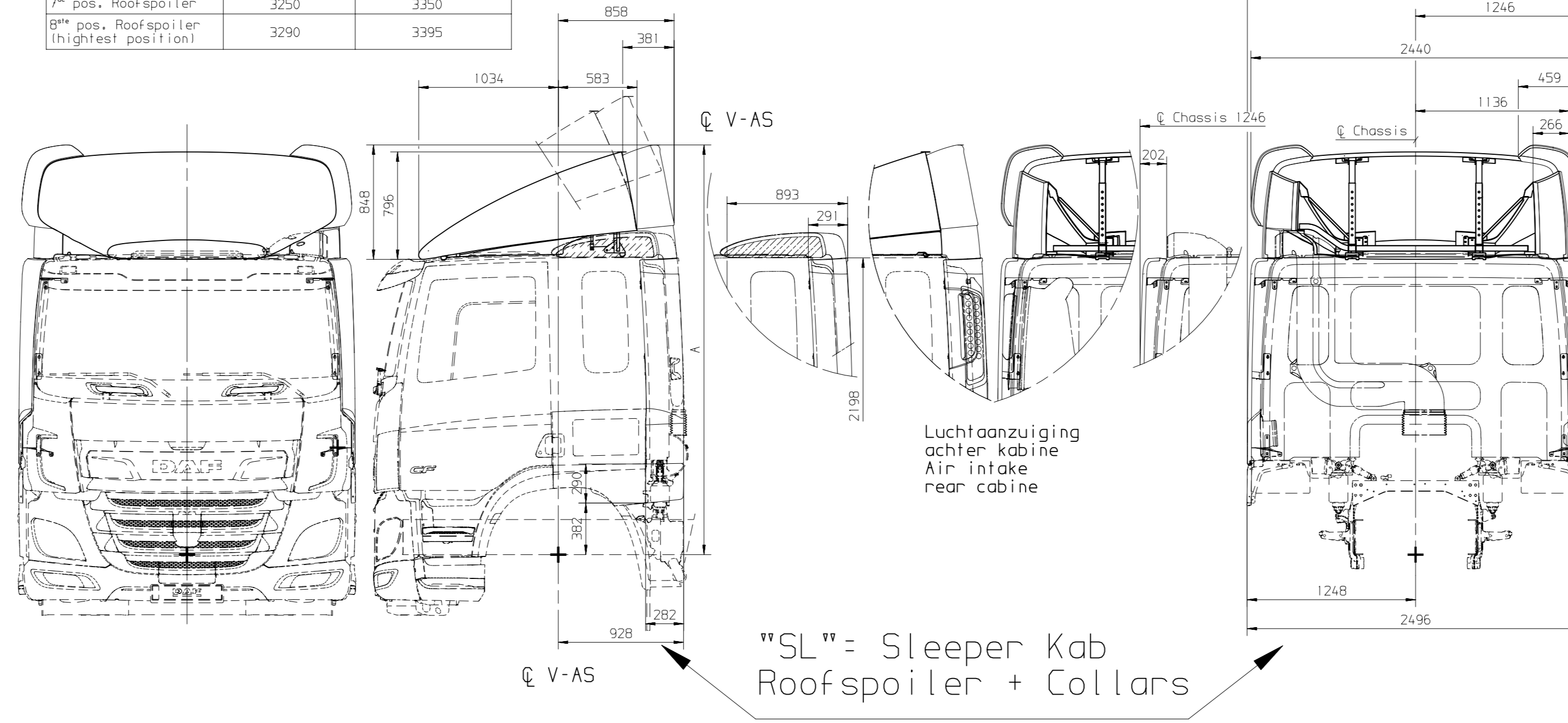
nominate position Cab.	A
Only roofspoiler	
1 st pos. Roofspoiler (low position)	2755
2 nd pos. Roofspoiler	2805
3 rd pos. Roofspoiler	2855
4 th pos. Roofspoiler	2905
5 th pos. Roofspoiler	2955
6 th pos. Roofspoiler (highest position)	2995



"SL" = Sleeper Kab
 Only roofspoiler

Option code 06776: Adjustable roof air deflector
 04906: Side collars
 09960: Air intake on the cab roof
 09961: Cyclonic air intake behind the cab

nominate position Cab.	A	
	Only roofspoiler	Roofspoiler+Fenders
1 st pos. Roofspoiler (low position)	2985	3045
2 nd pos. Roofspoiler	3030	3090
3 rd pos. Roofspoiler	3075	3145
4 th pos. Roofspoiler	3120	3195
5 th pos. Roofspoiler	3165	3245
6 th pos. Roofspoiler	3205	3300
7 th pos. Roofspoiler	3250	3350
8 th pos. Roofspoiler (highest position)	3290	3395



"SL" = Sleeper Kab
 Roofspoiler + Collars

*GEEN MATEN VAN TEKENING OPMETEN.
 *WIJZIGINGEN ZONDER VOORAFGAANDE KENNISGEVING VOORBEHOUDEN.
 *VOOR UITVOERING VAN HET VOERTUIG RAADPLEGE MEN DE ORDERBEVESTIGING.

*NE RIEN RELEVER DU DESSIN.
 *SOUS RESERVE DE MODIFICATIONS SANS AVIS PREALABLE.
 *VEUILLEZ CONSULTER LE BON DE COMMANDE POUR L'EQUIPEMENT DU VEHICULE CONCERNE.

"D-SL-SH-cab.": Tilt radii. MX-11 sheet 1 v 8.
 "D"-cab.: Roof deflector and collars. MX-11. sheet 2 v 8.
 * "SL"-cab.: Roof deflector and collars MX-11. sheet 3 v 8.
 "SH"-cab.: Roof deflector and collars MX-11. sheet 4 v 8.
 "D-SL-SH-cab.": Tilt radii. MX-13 sheet 5 v 8.
 "D"-cab.: Roof deflector and collars. MX-13. sheet 6 v 8.
 "SL"-cab.: Roof deflector and collars MX-13. sheet 7 v 8.
 "SH"-cab.: Roof deflector and collars MX-13. sheet 8 v 8.

*DO NOT SCALE DRAWING.
 *SUBJECT TO MODIFICATION WITHOUT PRIOR NOTICE.
 *PLEASE SEE NOTE FOR DEFINITE VEHICLE LAY-OUT.

*KEINE ZEICHNUNGSMASSE AUFMESSEN.
 *ANDERUNGEN OHNE VORANKUNDIGUNG VORBEHALTEN.
 *DIE AUSFUHRUNG DES BETREFFENDEN FAHRZEUGS ENTNEHME MAN DER AUFTRAGSBESTATIGUNG.

"D" = DAGKABINE DAY KAB CABINE COURTE NORMALFAHRERHAUS
 "SL" = SLAAPKABINE SLEEPER KAB CABINE PROFONDE FERNFAHRERHAUS
 "SH" = SLAAPHOOGKABINE HIGH-ROOF SLEEPER KAB CABINE PROFONDE SURELEVÉE GROBRaumFERNFAHRERHAUS

Cab width 2500 mm
 Australia

modification description	general tolerances	tolerance principle	title	date	mod.by	issue
TKB 00801-050		①	DETAILS CFMX-11/13 CABIN PR. 10352 CAB WIDTH 2500 MM			
	for drawing interpretation, see DAF standards	material	size	scale	sheet	model number
	surfaces/corners	heat/surface treatment	SP	1:30	3 of 8	
authorised by	date	paint specification	third angle projection	This drawing is the property of DAF-Trucks N.V., Eindhoven, the Netherlands and may not be copied in whole or in part without the prior written consent of the owner.		
drawn by	date	prod.grp spec. spec. indicat.	DAF	drawing/issue number	1902106/00	
source	replacement for	replaced by	CAD Unigraphics II			