



Bodybuilder guidelines

DAF LF, CF and XF105

Update: 2008-49



**Bodybuilders' Guidelines is published by
DAF Trucks N.V.**

This information is also available on the internet. The user is responsible for ensuring that he is working with the latest released information. Parts of this publication may be copied or reproduced providing that a reference is made to the source.

In the interest of continuing product development, DAF reserves the right to change specifications or products at any time without prior notice. DAF can in no way be held responsible for any incorrect information included in this manual and/or the consequences thereof.

This publication refers to chassis with FR, GR, PR or MX engine complying to the **Euro 3, Euro 4 and Euro 5 emissions**.

Note

For **Euro 3** chassis with CE, BE, PE or XE engine see the digital publication that is available under file number **BBG0541.zip** on the 'news and archive' page of the Bodybuilder's info website.

December 2008

GENERAL	1
CHASSIS INFORMATION	2
GENERAL INFORMATION ON SUPERSTRUCTURES	3
SUPERSTRUCTURES	4
CAB INFORMATION	5
PTO AND OTHER ENERGY CONSUMERS	6
ELECTRICAL SYSTEM	7
PART NUMBERS	8
REACTION FORM	9

GENERAL

	Page	Date
1.1 Purpose	7	200849
1.2 Addresses to contact	7	200849
1.3 Verificaton of superstructure	7	200849
1.4 Statutory requirements	7	200849
1.5 Vehicle specification and layout drawings	8	200849
1.6 Weight distribution	8	200849
1.7 Period of bodying and storage	9	200849
1.8 DAF vehicle range	9	200849
1.9 Dimensions	12	200849
1.10 Product modifications	12	200849
1.11 Feedback form	12	200849



BODYBUILDERS' GUIDELINES

General

1

1. GENERAL

1.1 PURPOSE

The purpose of these guidelines is to give the bodybuilder advice and assistance to enable him to obtain a homogeneous and optimally functioning assembly of superstructure and DAF chassis.

1.2 ADDRESSES TO CONTACT

In these guidelines the designation "DAF" refers to the responsible subsidiary or importer of DAF Trucks N.V. in the country concerned.

1.3 VERIFICATION OF SUPERSTRUCTURE

In view of vehicle safety, product liability and the quality standards set by DAF, it is not permitted to make changes to the design of the vehicle without **prior consultation with and written permission from DAF**.

Superstructures fitted fully in keeping with these guidelines do not require verification. DAF is always willing to answer any questions in this field.

Whenever these guidelines are not fully conformed to, and in all cases not provided for in these guidelines, consultation with and verification by DAF is required.

Requests for such verifications can be submitted to DAF by sending **in duplicate**, functional description, drawings and engineering calculations of all systems that are affected by the intended modification. If found in order, one set will be returned by DAF with a declaration written down in letter of "**no objection**" (LONO) and possibly accompanied by some comments with regard to the construction to be used.

The manufacturer of the superstructure should in all cases ensure that the operations carried out on the vehicle fully comply with the applicable quality standards.

The manufacturer of the superstructure should make sure that moving parts of the vehicle chassis, in particular the propeller shafts, cannot be restricted in their operation by, for example, parts of the superstructure and/or mountings. All components must remain easily accessible for maintenance and repair! Work on the vehicle should at all times be done by qualified staff.

The supplier of the superstructure will under all circumstances remain fully responsible for the product supplied by him and, in view of the safety of the user, he must deliver the product with clear information, instructions for use and/or documentation with respect to the superstructure and any additional equipment. Prior to delivery to the customer, the bodied vehicle should be inspected by the DAF dealer. DAF cannot be held liable for any consequences of the actions of third parties.

Machine directives and CE marking

If the superstructure (or parts of it) can be qualified as a machine, special attention should be paid to the machine directive and the CE marking. If necessary, consult the authorities concerned.

For the integration of the superstructure with related vehicle systems, see Section 7: "Electrical system".

1.4 STATUTORY REQUIREMENTS

The superstructure and any vehicle modifications connected with it must in all respects comply with the statutory requirements in the country concerned.

As DAF builds its commercial vehicle chassis fully in accordance with the statutory requirements in force, the responsibility for the **bodied** vehicle rests with the bodybuilder.

When the bodied vehicle is inspected, DAF is not responsible for problems caused by the superstructure or by parts fitted and/or modified by third parties.

BODYBUILDERS' GUIDELINES

General

1

1.5 VEHICLE SPECIFICATION AND LAYOUT DRAWINGS

In determining the right chassis and body specifications, it is essential that the three parties involved, **customer, bodybuilder and DAF**, should each bring in their own specialism. Intensive consultation is the only way to obtain an optimum result. This consultation requires the availability of all Technical data, such as vehicle specifications and layout drawings (DAF bodybuilders' drawings), and the possibility of forming a quick assessment of all the technical possibilities with their specific advantages and disadvantages.

DAF's professional transport advice system, TOPEC, has been developed especially for this purpose and is also available to the bodybuilder. TOPEC enables fast calculation of the effects of particular vehicle dimensions on, for instance, weight distribution, coupling position, turning circle and axle load pattern during unloading. Requests for TOPEC calculations can be submitted to DAF.

Layout drawings

The chassis bodying possibilities can be determined on the basis of the very detailed cab/chassis layout drawings, showing many dimensions and component positions. These drawings are available from DAF and they can be found as digital files on the TOPEC CD-ROM and the internet (www.daf.com).

In addition DAF can supply on request a digital 3D drawing of the chassis main longitudinal with full hole pattern of order specific chassis in the 3D-DXF or 3D-STEP 2.14 file format. Contact DAF for applicable cases with complex superstructures like heavy cranes.

TOPEC availability to the bodybuilding industry

The TOPEC program is available in two versions: 'TOPEC View' and 'TOPEC Light', and can be ordered from DAF via a subscription system.

TOPEC View: A TOPEC View subscription provides a complete digital DAF file of bodybuilders' drawings, recorded on a CD-ROM which is periodically updated. This means that you always have the latest drawings. These drawings can be read and printed using the TIFF viewer that is supplied with the CD-ROM. The CD-ROM also contains the component drawings (cabs, suspension and fuel tanks) and elevations

of chassis and cabs (as shown on the DAF bodybuilders' drawings) in DXF format. This DXF format can be used in your own AutoCAD system or any other program capable of opening a DXF file.

TOPEC Light: On top of the above-mentioned digital file of component and chassis drawings, a TOPEC Light subscription includes the calculation modules required for making layout, weight, turning circle and chassis strength calculations.

1.6 WEIGHT DISTRIBUTION

When constructing the superstructure, make sure that weight is correctly distributed so that the permitted axle loads can be utilised, and take note of the following guidelines:

- The length of the body and consequently the position of the centre of gravity may vary within the axle load distribution tolerance limits permitted in the country concerned.
- To avoid the vehicle leaning to one side, the difference in weight between the LH and RH wheels on one and the same axle must not be more than 2.5%; see also the paragraph below on lateral stability.
- The weight under the front axle(s) must in all cases be at least 20% of the total vehicle weight when used solo or in combination with a conventional coupled trailer and at least 30% of the total vehicle weight when used in combination with a mid-axle trailer.
- The weight under the driven axle(s) must, in international traffic, be at least 25% of the maximum total weight of the vehicle or vehicle combination.
- The centre of gravity of the total of superstructure, any loading/unloading equipment and vehicle load must at all times be within the theoretical wheelbase, because otherwise vehicle behaviour could be adversely affected.

Chassis reinforcements and additional components, such as compressors, additional fuel tanks and loading and unloading equipment, affect the weight and therefore the weight distribution of the vehicle being bodied. It is therefore essential that the vehicle, including any extra equipment, should be weighed before the bodying is started. Only then will it be possible to establish in time the effect any such extra equipment may have on the location of the vehicle's centre of gravity.

Lateral stability (dynamic)

High superstructures, whether or not in combination with a high centre of gravity of the load, are sensitive to side winds and may have an adverse effect on the lateral stability and therefore the driving characteristics of the vehicle. The same applies in the case of:

- asymmetric loading;
- specific load distribution;
- axle load shifts when the vehicle is partly laden;
- axle load shifts when the load is moving.

In all cases, ultimate responsibility rests with the supplier of the superstructure or the user of the vehicle.



20090503-035

1.7 PERIOD OF BODYING AND STORAGE

When a vehicle, for instance, because of a long period of bodying, is not being used for a prolonged time, measures should be taken to guarantee the continued high quality of the vehicle. These measures depend on the estimated duration of storage and/or bodying.

The measures that should normally be taken, may include the following:

- Closing windows and roof hatch.
- Checking fluid levels and, where necessary, topping-up reservoirs.
- Checking the tyre pressure.
- Removing, storing and charging the batteries.
- Checking the coolant antifreeze content.
- Patching up damaged spots in paintwork.

For measures to be taken in the event of very long storage periods, DAF should be contacted.

1.8 DAF VEHICLE RANGE

DAF's vehicle range is composed of several tractor chassis in the weight category above 15 tonnes and an even wider variety of rigids in the category of 6 tonnes GVW and over.

DAF LF45 series

This series offers gross vehicle weights from 7,5 to 12 tonnes. The trucks are intended for intensive use in urban and regional distribution transport and are powered by **4.5 litre four-cylinder FR diesel engines** generating outputs from 103 kW to 136 kW, or by **6.7 litre six-cylinder GR diesel engines** with a power rating of 165 kW to 184 kW.

DAF LF55 series

This vehicle series, with gross vehicle weights from 12 to 19 tonnes, is intended for light to medium-weight transport in urban and regional goods distribution. These vehicles are also excellently suited for a wide range of applications in the field of public utility services. This series is equipped with **4.5 litre four-cylinder FR diesel engine** generating an output of 136 kW or by **6.7 litre six-cylinder GR diesel engines** offering outputs from 165 kW to 210 kW.

BODYBUILDERS' GUIDELINES

General

DAF CF series



G000540

DAF CF65 series

The DAF CF65 series underlines the importance of market segmentation and of medium line vehicles with specific features and characteristics for a huge diversity of applications, body types and operational conditions. The DAF CF65 series has been developed as a two-axle rigid for local and regional goods distribution and special transport applications, such as council cleaning services and fire services. With a maximum GVW of 19 tonnes, this series is powered by **6.7 litre GR diesel engines** generating outputs from 165 kW to 210 kW.

DAF CF75 series

The DAF CF75 series is a real all-rounder with a choice of chiefly two-axle and three-axle models. These vehicles are excellently suited for medium-weight to heavy regional and national distribution transport and for a wide range of applications in the field of public utility services, such as council cleaning services. The **9.2 litre PR diesel engines** use a highly advanced combustion principle and they have four valves per cylinder. With power outputs from 183 kW to 265 kW, they are suitable for gross combination weights up to 40 tonnes.

DAF CF85 series

The DAF CF85 vehicles are equipped with **12.9 litre MX diesel engines**, which use a highly advanced combustion principle and have four valves per cylinder. With engine outputs from 265 kW to 375 kW, this truck is made for heavy work. It can be specified as a two-axle, three-axle or

four-axle vehicle with one or two driven axles. A robust truck for intensive medium-range transport requiring high gross combination weights (over 40 tonnes), for transport in the building industry and/or heavy special transport.

DAF XF series



G000392

XF105 series

The DAF XF is the flagship of the DAF range. With the XF105 series, DAF has again moved a step forward in the ever continuing development of vehicle and engine technology. The XF chassis is fitted with **12,9 litre MX diesel engines**, which use a highly advanced combustion principle and have four valves per cylinder. With engine outputs from 300kW to 410kW, these vehicles are ideal for long-distance (international) haulage requiring gross combination weights of 40 tonnes.

With the Super Space Cab, the driver virtually has a mobile residence, complete with all the conveniences required for lengthy journeys (away from home for on average 1 to 3 weeks). The DAF XF series makes no concessions. It combines a very high level of driver comfort with optimum transport performance and the lowest possible costs of ownership for the transport operator.

Designation	Type	Sort of chassis	DAF-series					
			LF45	LF55	CF65	CF75	CF85	XF105
FA	4x2	Truck chassis	■	■	■	■	■	■
FAR	6x2	Truck chassis with single-wheel trailing axle				■	■	■
FAS	6x2	Truck chassis with twin-wheel trailing axle				■	■	■
FAN	6x2	Truck chassis with rear steered axle		■		■	■	■
FAG	6x2	Truck chassis with second steered axle				■	■	
FAT	6x4	Truck chassis with double-drive tandem axle				■	■	■
FAC	8x2	Truck chassis with 2 front axles, single drive axle and twin-wheel trailing axle					■	
FAX	8x2	Truck chassis with 2 front axles, single drive axle and rear steered single-wheel trailing axle					■	
FAK	8x2	Truck chassis with three rear axles, including twin-wheel trailing axle						■
FAD	8x4	Truck chassis with 2 front axles and double-drive tandem axle				■	■	■
FT	4x2	Tractor chassis		■		■	■	■
FTR	6x2	Tractor chassis with single-wheel trailing axle					■	■
FTS	6x2	Tractor chassis with twin-wheel trailing axle					■	■
FTG	6x2	Tractor chassis with second steered axle					■	■
FTP	6x2	Tractor chassis with non-steered second axle					■	■
FTT	6x4	Tractor chassis with double-drive tandem axle					■	■
FTM	8x4	Tractor chassis with three rear axles; a steered axle in front of a double-drive tandem axle						■

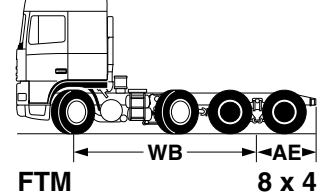
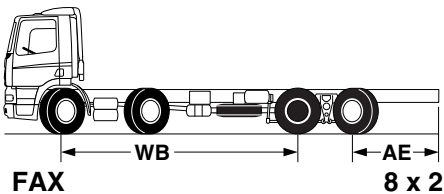
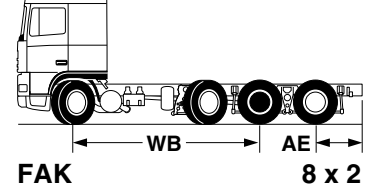
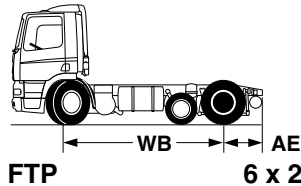
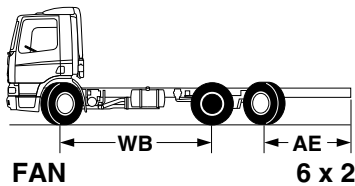
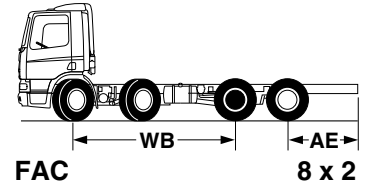
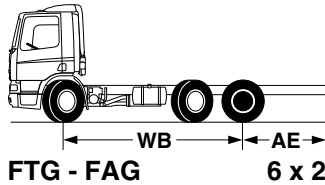
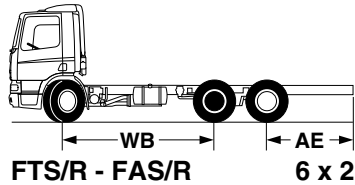
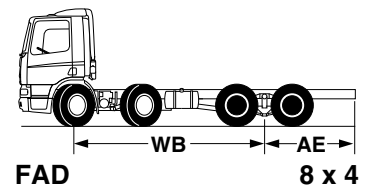
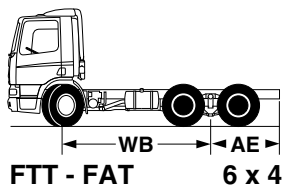
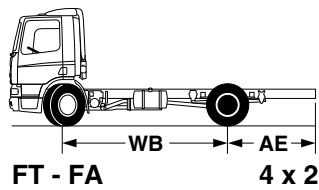
Wheelbase and rear overhang indications

The indications for wheelbase and rear overhang (WB/AE) used in these bodybuilders' guidelines and in general at DAF can be found for each vehicle type in the following survey:

BODYBUILDERS' GUIDELINES

General

1



G000307

1.9 DIMENSIONS

All dimensions in these bodybuilders' guidelines are shown in millimetres, unless stated otherwise.

1.10 PRODUCT MODIFICATIONS

In the interest of continuing product development, DAF reserves the right to make changes in the specifications or the designs of the vehicles without prior notice.

Furthermore, vehicle specifications may vary from country to country, depending on local conditions and legislation. For exact and up-to-date information, please contact the local DAF sales organisation.

1.11 FEEDBACK FORM

In view of the importance of maintaining the present level of quality and user-friendliness of the DAF Bodybuilders' Guidelines, your recommendations and/or suggestions will be highly appreciated.

Use the : "Feedback form" you will find on the last page(s) to communicate your findings to us.

CHASSIS INFORMATION

	Page	Date
2.1 Levelling the chassis	19	200849
2.2 Drilling of holes	19	200849
2.3 Welding on the chassis	20	200849
2.4 Modifying the rear overhang	21	200849
2.5 Wheelbase modifications	24	200849
2.6 Attachment of components to the chassis	25	200849
2.7 Replacing rivets by bolts	26	200849
2.8 Inlet and exhaust systems	27	200849
2.9 Fuel system	28	200849
2.10 Chassis dimensions	29	200849
2.11 Drawbar cross member	34	200849
2.12 Rear light brackets	40	200849
2.13 Wheel mounting	40	200849
2.14 Wheel clearance	41	200849
2.15 Location of the mudguards	44	200849
2.16 EC-approved rear underrun protection	45	200849
2.17 Automatic lubrication	46	200849

BODYBUILDERS' GUIDELINES

Chassis Information

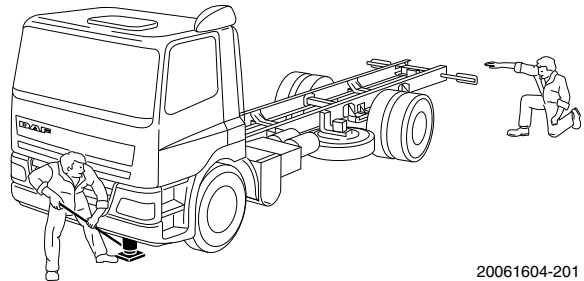
2

2. CHASSIS INFORMATION

2.1 LEVELLING THE CHASSIS

It is essential for the quality and durability of the bodied vehicle that the chassis should be in a completely level position when it is being bodied. The side members should be parallel and the chassis frame must not be twisted.

For the levelling of an air-suspended chassis, at least three adjustable supports must be used. These supports must not be removed during the bodying of the vehicle.



20061604-201



Each time the vehicle is moved, the chassis must be levelled again!

2.2 DRILLING OF HOLES

When mounting components, use the existing holes in the chassis whenever possible, preferably the holes according to **BAM 1 and 3** (see section: 3.2: "BAM's - body attachment methods"), which are factory-made and exclusively intended for the superstructure. The location of these holes is therefore indicated on the bodybuilders' drawings.

Adhere to the following instructions when drilling holes:

- NEVER drill holes in the flanges of the side members.
- NEVER drill holes in the tapered ends of a tractor chassis frame.
- NEVER weld filler pieces into any unused holes of the chassis frame.
- To prevent the forming of cracks from the drilled holes, these holes must always be deburred - by 45° countersinking (on two sides!) - and subsequently treated with primer/paint.
- The drilling of holes less than 70 mm away from a bend in the chassis frame is not permitted.

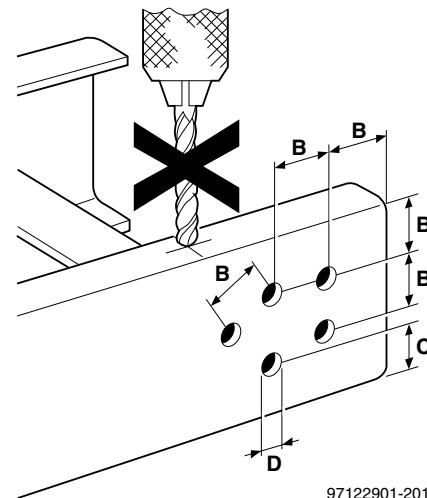
BODYBUILDERS' GUIDELINES

Chassis Information

Dimensions for holes drilled in side members:

- B > 3 x D
(D = diameter of largest hole, at most 17 mm)
- C > 70 mm (tractor chassis), 50 mm (truck chassis)

For deviations from the above-mentioned dimensions, DAF should be consulted.



Minimum distances for drilling of holes

2

2.3 WELDING ON THE CHASSIS

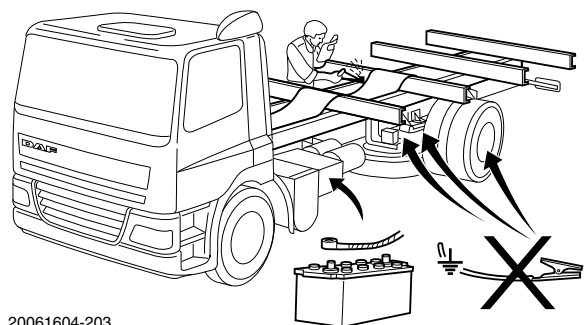


Welding on the chassis is not permitted without a written permission from DAF, with the exception of welding operations required for rear overhang extensions.

The following **DAF welding instructions** should be observed at all times:

Welding on the chassis

- Disconnect the connectors of electrical and electronic equipment (sensors and actuators) and the battery terminals if they are less than 1 metre away from the chassis part to be welded or the earth terminal of the welding equipment.
- If the battery terminals have to be disconnected, all electronic units mounted on the chassis and the bulkhead lead-through connectors should be disconnected, too.



Measures to be taken when welding!

Welding on the cab

- Always disconnect the batteries (starting with the negative lead).
- Disconnect the connectors between chassis and cab (bulkhead lead-through).
- Disconnect the connectors of electrical and electronic equipment if they are less than 50 cm away from the cab part to be welded or the earth terminal of the welding equipment.

Welding on the superstructure

- Adhere to the above instructions for 'welding on the chassis', supplemented by specific bodybuilders' instructions.

General

- The earth terminal should never be attached to vehicle components such as engine, axles and springs. Arcing on these parts is not permitted either, because of the risk of damage to bearings, springs, etc.
- The earth terminal must make good contact and be placed as close as possible to the part to be welded.
- Plastic pipes, rubber parts and parabolic springs should be well protected against welding spatter and temperatures higher than 70°.
- The contact switch must not be in the accessory or contact position. The contact key should be removed.
- Reconnect in reversed order of disconnecting. Ensure that a good earth connection is made between chassis, engine and cab.



If the connectors are not disconnected, serious damage may be caused to the electronic control units (ECU's) of various vehicle systems.

See section: 7.16: "Connection points and locations" for the connection points on LF, CF and XF vehicles.

2.4 MODIFYING THE REAR OVERHANG

For the chassis material to be used for rear overhang extensions (if they are necessary), see section 8: "Part numbers".

Extending/shortening the rear overhang

When extending the rear overhang, take note of the following:

- The maximum rear overhang (AE) extension is 500 mm, provided that the maximum rear overhang (AE) length of 60% of the wheelbase (WB) is not exceeded.
- The rearmost cross member must be retained when the chassis frame is made longer or shorter.

BODYBUILDERS' GUIDELINES

Chassis Information

- When the rear overhang is shortened, at least 30 mm must be left behind the rear spring brackets (leaf-sprung chassis) or the stabiliser bracket (air-sprung chassis).
- The distances between the cross members in the chassis frame should be not more than 1200 mm.

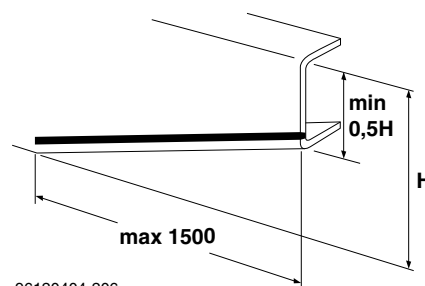
2



The rear overhang of tractor chassis and of vehicles with side members of KF 600 material must NOT be changed

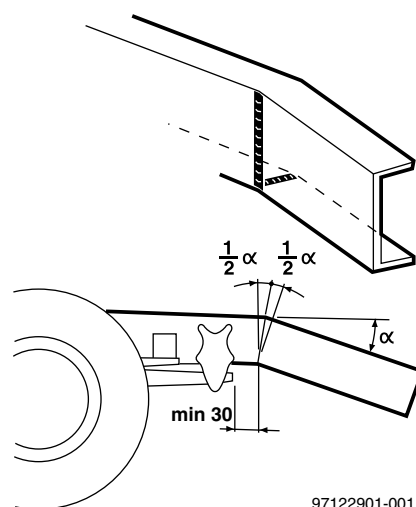
Tapering of chassis side member rear ends

On vehicles used for (high-)volume transport (lower position of drawbar cross member) and/or equipped with under-chassis tail lifts, the rear ends of the side members may be tapered in accordance with the dimensions shown in the opposite drawing.



For certain applications, for instance for plant bodies, it is permitted to make a bend in the rear overhang. To do this, remove a sector from the side member, starting from the underside and ensuring that the upper flange is left intact and that, after the bending of the chassis, both the web and the lower flange can be welded together again. See the opposite drawing.

When doing this, the welding instructions must always be adhered to.

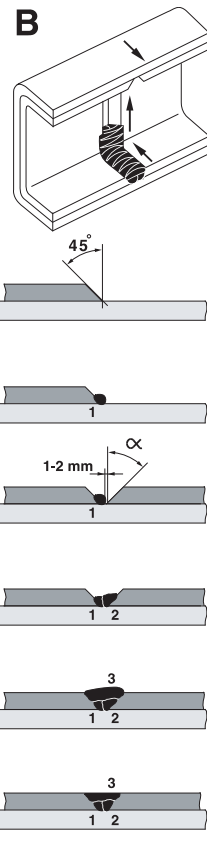
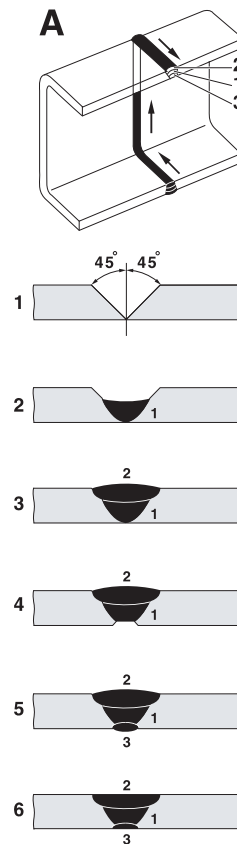


Welding instructions for rear overhang extensions

The weld should always comply with (European) quality standard EN25817, quality class B.

Main chassis profile A

1. Bevel off the parts to be welded at an angle of 45°. Put them against each other.
2. Make a provisional weld by tack welding (using an electrode with a diameter of 2.5 mm).
3. Fill the joint (using an electrode with a diameter of 3.5 mm).
4. Grind down the outside weld area as far as the weld.
5. Fill the joint from the outside (using an electrode with a diameter of 2.5 mm or 3.5 mm).
6. Grind the outside and inside surfaces until they are smooth.



G000560

Inner reinforcement profile B

1. Bevel off the inner profile to be welded at an angle of 45°. (Do not grind the main chassis profile).
2. Make the first weld (using an electrode with a diameter of 2.5 mm).
3. Bevel off the inner profile and positioned it approximately 1 to 2 mm from the first weld (using an electrode with a diameter of 3.5 mm).
4. Make the second weld (using an electrode with a diameter of 2.5 mm).
5. Fill the weld to the top (using an electrode with a diameter of 3.5 mm).
6. Grind the inside surface of the reinforcement profile until it is smooth.

Note:

At stage 2 and 4 the first and second weld seam will join together the main chassis and inner reinforcement profile.

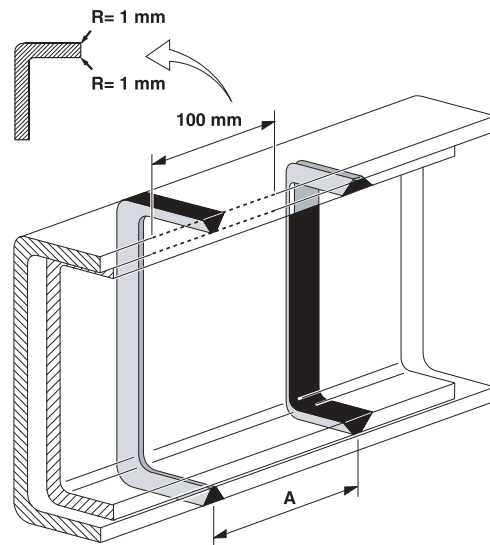
The drawing shows how a weld should be made with a welding electrode or a wire electrode (MAG).

BODYBUILDERS' GUIDELINES

Chassis Information

Position of the welds between main and reinforcement profile

Independent from whatever welding process is chosen, distance (A) between the separate welds must be at least 100 mm to avoid unacceptable stress concentration. It is advised to round of the edges over 50 mm to each side of the weld to diminish the possibility of notching.



G000562

Specification of welding material

WELDING ELECTRODE

The **welding electrode** should meet one of the undermentioned specifications or should be of equivalent quality.

LF series CF65	EN757	EY 4666 MN B
CF75 and CF85 Series XF series	AWS5.1 ISO 2560 DIN 1913 BS 639	E7016 - 1 E 515 B 24(H) E 5155 B 10 E 5154 B 24(H)

WIRE ELECTRODE

The wire electrode should meet one of the undermentioned specifications or should be of equivalent quality.

G 35 2 G2Si or G38 3 G3Si1 EN 440: 1994
Wire diameter: 0.8 mm
Welding current: 120 A
Voltage: 17 - 18 V
Gas mix: 80% Ar and 20% CO₂

2.5 WHEELBASE MODIFICATIONS

Wheelbase modifications may only be carried out with DAF's prior permission in writing and in accordance with DAF's instructions. The written permission and the conditions to which it is subject, should at all times be kept with the vehicle documents.



The wheelbase of a tractor chassis and of vehicles with side members of KF 600 material must NOT be changed!

2.6 ATTACHMENT OF COMPONENTS TO THE CHASSIS

Components such as toolboxes, extra fuel tanks, onboard weighing system, compressors and side underrun protection, will usually be attached to the side of the chassis. For all loaded connections with the chassis, 10.9 flange bolts or bolts of the same property class, combined with washers, must be used. The hardness of the washers should be at least 265-320 HB. Furthermore, the contact surfaces of bolted connections should be provided with a thin coat of primer (thickness 17 - 25 µm) and they should be free from paint and other impurities. The first service inspection of the vehicle must include the retorquing of all superstructure attachment bolts.

If required, for the tightening torques of components such as steering gear, mounting frame of the Euro 4 and 5 exhaust system, axle suspension system, cab mounting, etc., see the workshop manual.

Tightening torques for DAF flange bolts ⁽¹⁾			
Bolt type	Torque in [Nm] ⁽²⁾ for property class:		
	8.8 class B	10.9 class B	12.9 class B
Plain flange bolts; standard pitch			
M 8x1,25	21	30	
M10x1,5	42	60	
M12x1,25	-	110	
M12x1,75	73	110	
M14x1,50	-	170	
M14x2	116	170	
M16x1,50	-	260	
M16x2	180	260	
M18x1,5 / M18x2,5	-	360	
M20x1,5 / M20x2,5	-	520	
M22x1,5 / M22x2,5	-	700	
Clamping flange bolts ⁽³⁾			
M14			275
M16			425
M18			550

(1) If non-DAF bolts are used, adhere to the supplier/manufacturer's instructions.

(2) These tightening torques apply to new wax-dipped or oil-dipped bolts from DAF. The tightening torque tolerance is 16%.

(3) Clamping bolts are no longer used by DAF.

BODYBUILDERS' GUIDELINES

Chassis Information

Depending on the total weight (G) and the centre of gravity of the component in relation to the side member (a) to which the component is to be attached, one of the solutions shown here may be chosen.

Note:

- If the load moment on a component carrier is higher than 350 Nm on a chassis frame **without** flitches or if it is higher than 500 Nm on a chassis frame **with** flitches, a cross connection* between the two side members must be made. This cross connection should preferably be a bolted connection with silentbloc (with a minimum rigidity of 20 kN/mm) for the absorption of forces and vibrations.
- An extra cross connection is not required if it would coincide with an existing cross member in the chassis frame.
- When components are relocated, the bolts used must always have the same property class as those used for the original fitting. The length of the bolt should be increased by the thickness of the material of the component carrier.

* For part numbers, see section 8.1: "Mountings"

Please take care of the required fitting of side underrun protection.

Ground clearance

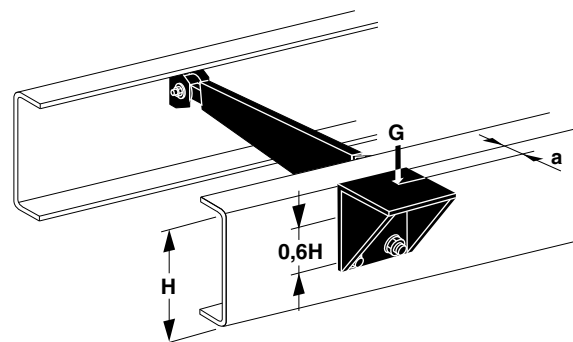
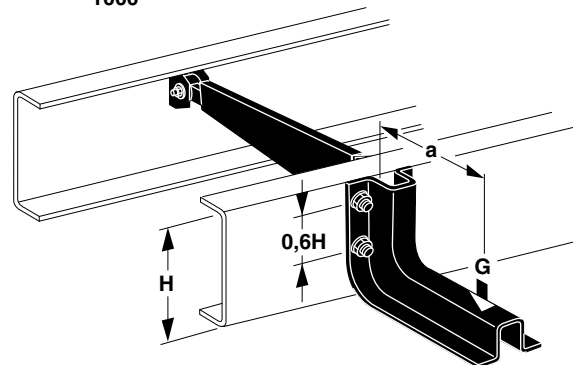
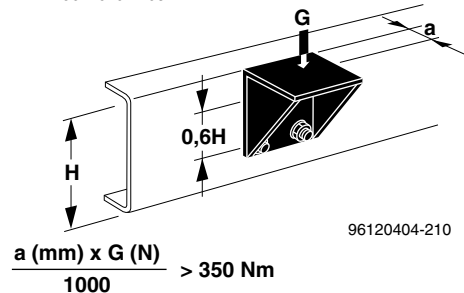
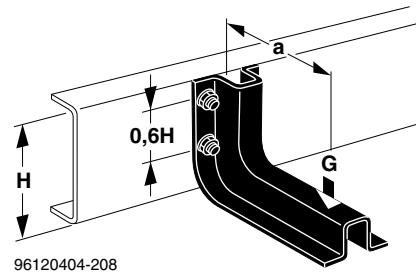
If components are attached to the chassis, whether they are re-located existing components or new ones which are being added, it should be ensured that there will be sufficient ground clearance **in any circumstances**.

The minimum ground clearance under normal operating conditions is **80 mm** with the chassis suspension bottoming (metal to metal), or **170 mm** with the chassis in driving position (laden).

2.7 REPLACING RIVETS BY BOLTS

If, for whatever reason, rivets have to be removed, they may be replaced by bolts or 'Huckbolts'.

$$\frac{a \text{ (mm)} \times G \text{ (N)}}{1000} \leq 350 \text{ Nm}$$

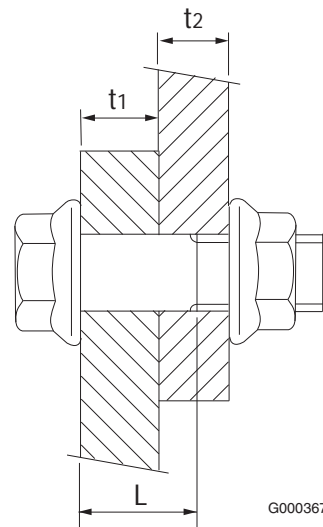


The diameter of the hole of the removed rivet is 13 mm. There are three replacement options:

- Fitting an M14 - 8.8 flange bolt in hole reamed to a diameter of 14H7.
Attention: an unthreaded shank section with length L is required, see illustration.
- Fitting an M16 - 10.9 flange bolt in hole with a diameter of 17 mm.
- Fitting an HP8 - 5/8" Huckbolt.

For the tightening torques of DAF flange bolts, see the table concerned in section 2.6: "Attachment of components to the chassis".

$$t_1 + t_2 > L > t_1 + 0,5 \times t_2$$



2.8 INLET AND EXHAUST SYSTEMS

When modifications are made to the engine **air inlet system**, verification by DAF is in any case required, in view of type approval and the possible effect on engine performance and /or fuel consumption. At all time the intake manifold opening of the standard or eventual modified air inlet system must be kept clear of body panels or brackets of any kind for at least 70 mm to avoid obstruction of the air flow and possible negative effect on the engine performance.

If modifications are made to the **exhaust system**, consultation with DAF is required, in view of type approval and possible effect on engine performance and /or fuel consumption.

Other matters to which attention should be paid in relation with the exhaust system are the following:

- Take care that no flammable materials are fitted near the exhaust system. As plastic materials must not be exposed to temperatures higher than 70°C, they should be protected with heat shields.

BODYBUILDERS' GUIDELINES

Chassis Information

2

- There must be a minimum clearance of at least 50 mm between the exhaust silencer/ exhaust pipes and the following component, rear wall cab, gearbox and brake system components.
- The complete exhaust system of Euro 4 and 5 vehicles consists of the following components; a silencer, an AdBlue tank, an AdBlue pump module and an AdBlue dosing module. Relocation of the complete exhaust system or parts of it is only possible after consultation with DAF.

2.9 FUEL SYSTEM

Without DAF's prior permission in writing, no modifications may be made to the fuel system. However, fitting an extra fuel tank is permitted. Any fuel tanks used must be DAF fuel tanks.

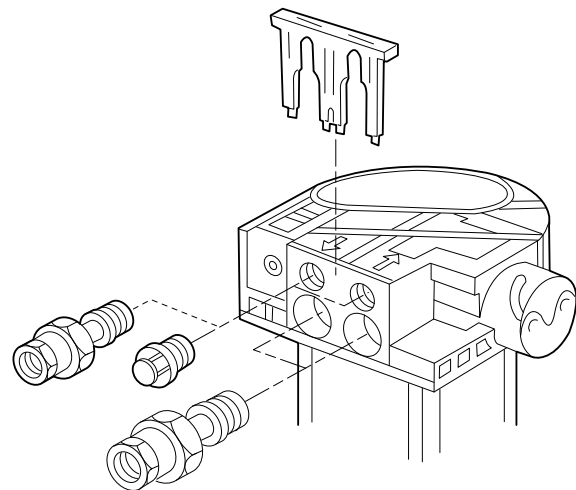
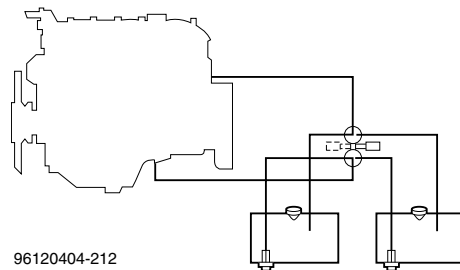
There are three ways of connecting an extra fuel tank:

1. Single or double suction with a through-connection.
2. Double suction with a switching valve (see figure).
3. Double suction with tee piece (only for tanks of the same size; consult DAF).

Notes on method 1:

The filler openings of the two tanks must be at the same level. Avoid the use of tanks of different height, to ensure correct indication of the fuel level. Apart from this, the advantage of the extra fuel storage capacity could even be (partly) undone when tanks of different height are fitted. All DAF fuel tanks are provided with an M22 threaded hole for the fuel drain plug and they are not suitable for bottom to bottom connection. DAF fuel tanks equipped with a low positioned opening (internal \varnothing 30 mm) to support the described bottom to bottom connection are only available as a service component. To avoid differences in air pressure (= differences in fuel level) between the two tanks, an (\varnothing 8 mm) air pipe must be fitted between the return pipes of the two floats that are intended for extra fuel consumers.

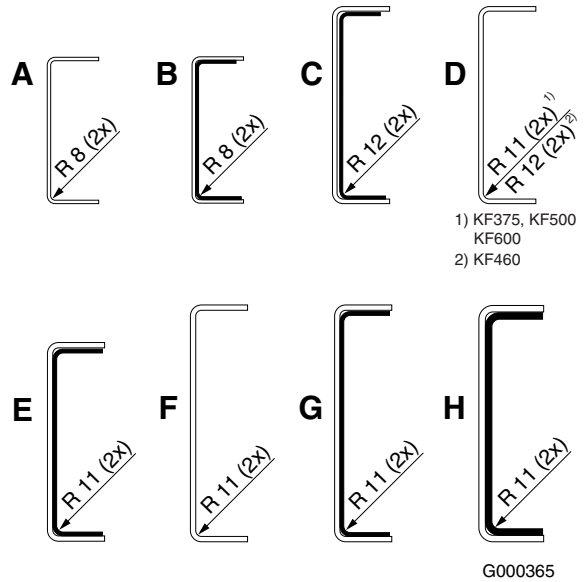
When extra fuel consumers have to be connected, the tank can be provided with extra suction and return pipes on the existing fuel tank float. These connections are as standard provided with sealing plugs held in place by a holding cover. By removing this cover, these plugs can also be removed and replaced by quick-release couplings for an 8 mm fuel pipe. Also see the opposite drawing.



For the part numbers, see section 8: "Part numbers".

2.10 CHASSIS DIMENSIONS

For details of the chassis (including flich positions) and the location of the components, see the bodybuilders' drawing of the vehicle concerned. These drawings can be obtained from DAF and are available on the internet (www.daf.com). To **TOPEC** subscribers they are available as digital files on CD-ROM (see section 1.5: "Vehicle specification and layout drawings").



BODYBUILDERS' GUIDELINES

Chassis Information

Chassis specification: Tractors and Rigid

Vehicle type ^{(1) (4)}	Side member dimensions [mm]	Chassis section	Flitch dimensions [mm]	Chassis section	Wx _{chassis} ⁽²⁾ [cm ³]		Material, σ_v ⁽³⁾ [N/mm ²]
					[-----]	[[-----]]	
FT (LF55)	260x75x6	D	-	-	322	-	460
FT	260x75x6	D	+ 245x65x5	E	322	524	600
	260x75x7	D	+ 245x65x5	E	368	584	500
FTG	260x75x7	D	+ 245x65x5	E	368	584	500
FTP	260x75x6	D	-	-	322	-	600
FTR	260x75x7	D	+ 245x65x5	E	368	584	500
FTS	310x75x7	F	+ 295x65x5	G	476	766	375
FTT							
FTM	310x75x8,5	-	+ 292x65x8,5	H	-	1004	375
FA (LF45)	192x66,5x4,5	D	+ 180x47/62x4	B	148	238	460
FA (LF55)	260x75x6	D	+ 245x60x5	C	322	524	460
FA/N FAR/S	260x75x7	F	+ 245x65x5	E	368	584	375
	310x75x7	D	+ 295x65x5	G	476	766	375
FAN (LF55)	260x75x6	D	+ 245x60x5	C	322	524	460 ⁽⁵⁾
FAT	260x75x7	D	+ 245x65x5	E	368	584	500
	260x75x7 ⁽⁶⁾	D	+ 245x65x5	E	368	584	375
	310x75x6	F	+ 295x65x5	G	417	696	600
	310x75x7	F	+ 295x65x5	G	476	766	375
	310x75x8,5	-	+ 292x65x8,5	H	-	1004	375
FAX	310x75x7	F	-	-	-	696	375
	310x75x8,5	-	+ 292x65x8,5	H	-	1004	375
FAD	310x75x6	F	+ 295x65x5	G	417	696	600
	310x75x7	F	+ 295x65x5	G	476	766	375
	310x75x8,5	-	+ 292x65x8,5	H	-	1004	375
FAK/G	310x75x7	F	+ 295x65x5	G	476	696	375

(1) Always refer to the vehicle specification and/or the bodybuilder drawings which are available from DAF. On the chassis overview and specifications no rights to delivery can be derived.

(2) Resistance moment Wx [cm³] of the chassis against bending (caution: indicated values apply to 2 side members).

(3) Chassis material: minimum yield point 0,2% [N/mm²]. Permissible load 0,4x (dynamic).

(4) Chassis types with 260x75x6(7) mm frame and **continuous** inner reinforcement flitches - which also includes the (G)V chassis - require th added strength and/or rigidity of a sub-frame/superstructure construction (also see the text on chassis design and section 4).

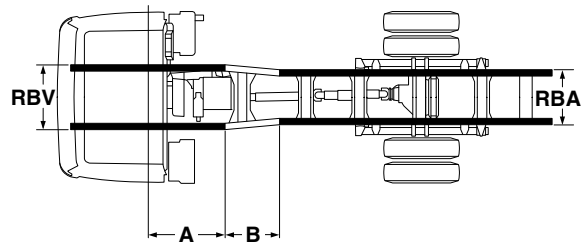
(5) Material according standard: BSEN 10149-2:1996:S460MC.

(6) FAT chassis with 600 cm wheelbase i.c.w. 325 or 360 cm rear overhang (AE).

Chassis specification: Main dimensions

Vehicle type ⁽¹⁾	A	B	RBV	RBA
LF45 series	-	-	859	859
LF55 series 12-15 tonnes	693	284	862	790
LF55 series 18-19 tonnes CF65 series	643	284	862	790
CF75-85 series	1100	800	930	790
FAD CF75-85 FAC/X CF85 FAD XF	1500	800	930	790
XF series	1100	800	930	790

(1) The A, B, RBV and/or RBA values for FTT/FAT chassis with air-sprung rear axles may be different. Consult DAF for more information.



G000281

2

Cab-related dimensions, CB dimension and chassis reference hole for positioning of superstructure

For more details related to cab dimensions (for instance, for the space taken up by the bumper when the cab is tilted), see detail 'Z' of the bodybuilders' drawings.

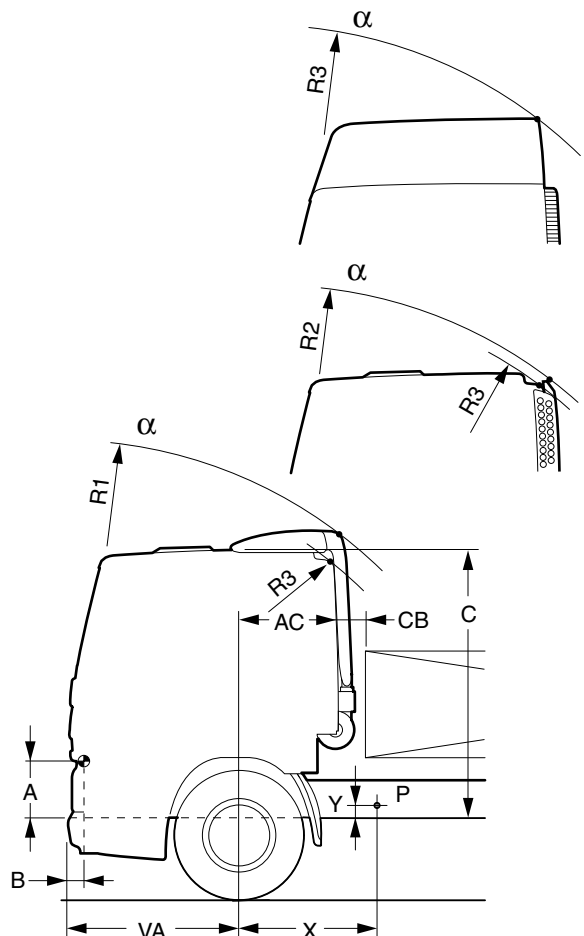
For easy and correct positioning of superstructure constructions or for other purposes, use can be made of a hole (P) in the chassis which is provided at a fixed position in relation to the front axle. See the opposite figure.

This reference hole is provided in each of the two side members and has a diameter of 20.5 mm or 27 mm. The positional tolerance is ± 2 mm in the X and directions. Only the hole in the side member **parent frame** - not that in the flitch - must be used for the above-mentioned purpose.

Nominal position of reference hole 'P'

X	Y	
1598	130	CF75, CF85 and XF series
1998	130	FAD and FAC models
1641	130	LF55 18-19t and CF65
1690	130	LF55 12 - 15t

The X dimension on FTT/FAT vehicles with air-sprung rear axles may be different. Consult DAF. Standard value when the height of the chassis side members is 260 mm. When the height of the side members is 310 mm, this dimension may be 180 mm.



G000435

BODYBUILDERS' GUIDELINES

Chassis Information

Cab-related dimensions and CB dimension

Series	Cab	A	B	C ⁽²⁾	VA	AC	CB ⁽¹⁾	R1	R2	R3	α ⁽³⁾
LF 45	Day ⁽⁴⁾	141	122	2082	1275	330	70	2580	--	2450	53°
	Sleeper	141	122	2082	1275	730	70	2865	--	2715	53°
LF 55 (12-15t)	Day ⁽⁴⁾	209	44	2150	1325	280	70	2580	--	2450	55°
	Sleeper	209	44	2150	1325	680	70	2865	--	2715	55°
LF 55 (18-19t)	Day	209	44	2150	1375	230	120	2580	--	2450	55°
	Sleeper	209	44	2150	1375	630	70	2865	--	2715	55°
CF (Day)	(CF65)	320	110	2119	1380	390	160	2580	2350	2350	60°
	(CF75)	310									
	(CF85)	410		2219							
CF (Sleeper)	(CF65)	320	110	2119	1380	820	150	2875	2670	2650	60°
	(CF75)	310									
	(CF85)	410		2219							
CF (Space Cab)	(CF65)	320	110	2800	1380	820	150	--	--	3190	60°
	(CF75)	310									
	(CF85)	410		2900							
XF105	Comfort Cab	500	100	2475	1370	880	190	--	--	2896	60°
	Space Cab	500	100	2775	1370	880	190	--	--	3095	60°
	Super Space Cab	500	100	3165	1370	880	190	--	--	3337	60°

(1) Distance between cab rear wall and superstructure front end, including minimum free space required. The listed values for LF45 and LF55 (12-15t) chassis are with 4 cylinder engine and for LF55 (18-19t) chassis with 6 cylinder engine and for all LF series with the coil type cab suspension.

Note: In the following situations a larger CB dimension is required:

LF series with:

- day cab LF55 and FR (4-cylinder) engine in combination with body installed on chassis without sub-frame: CB = 130 mm (extra clearance for gearshift lever)
- day cab and GR (6-cylinder) engine: CB = 130 mm
- high air intake: CB = 175 mm
- exhaust stack on LF45: CB = 182 mm
- exhaust stack on LF55: CB = 272
- vertical exhaust silencer on LF chassis: CB = 400 mm (air filter unit not included); CB = 660 mm (air intake filter unit included)

CF65

- exhaust stack: CB = 276 mm

CF75-85 series with:

- cyclone filter with air intake opening positioned on top of the roofpanel: CB = 200 mm
- cyclone filter with air intake opening at the cab rear wall: CB = 160 mm (Day cab) or 150 mm (Sleeper cab)
- exhaust stack: CB = 240 mm
- exhaust stack with integrated vertical soot filter: CB = 370 mm

XF series with:

- cyclone filter: CB = 260 mm
- under-cab air intake: CB = 100 mm
- exhaust stack: CB = 240 mm (pipe end 90 transversely to driving direction)
- exhaust stack: CB = 340 mm (pipe end pointing backwards)

(2) Highest point air intake pipe fitted on cab roof: LF series day cab C + 130 mm, CF series C + 139 mm.

(3) Maximum tilt angle for LF Series may be limited if topsleeper is mounted on cab roof; check 5.2: "Maximum permissible additional cab weights".

(4) For LF45 with rubber-sprung cab: A = 151, B = 152, C = 2052, R1 = 2535, R3 = 2415.
For LF55 with rubber-sprung cab: A = 219, B = 74, C = 2120, R1 = 2535, R3 = 2415.

Chassis design

DAF uses specific designations for the different chassis types, in order to indicate their specific applications. See the survey below:

- Low-Deck tractor chassis 'LD'

Only available as an FT CF85 and XF tractor chassis, suitable for the lowest possible fifth wheel position and to combine with mega trailers (internal height ± 3 m).

- Low-Deck rigid truck chassis

Low rigid truck chassis (fully flat topped frame), previously referred to as (High-)Volume version '(G)V', with as standard 260 mm high side members; depending upon the version provided with lowered axle suspension and/or driving height compensation, suitable for (dismountable) bodies with maximum internal height. These vehicles require extra body strength or a sub-frame. See '(High-)volume body' in section 4: "Superstructures", or consult DAF for further information!

- UK tipper body

Available as 6x4 and 8x4 truck chassis (FAT and FAD), suitable for **light-weight tipper bodies without sub-frame**, specially developed for the British market. These chassis are ex-works provided with a short rear overhang, with a torsionally rigid cross member, and prepared for simple mounting of the tipping pivot. Consult DAF for further information.

These bodybuilders' guidelines are only applicable to vehicles which comply with standard DAF specifications, in accordance with the existing bodybuilders' drawings. In case of doubt, DAF should be consulted. Without a sub-frame, the standard chassis are designed for, and are at least suitable for, the transport of a uniformly distributed load at nominal permitted axle loads, with the exception of vehicles with 260 mm high side members with continuous inner reinforcement flitches, such as the Low-Deck versions. These vehicles require additional stiffness of a sub-frame or superstructure construction.

In case the load on the chassis is not equally divided extra care should be taken with regard to the tension levels in the chassis. For chassis material characteristics see table "Chassis specifications: Tractors and Rigid". When in doubt DAF Trucks could be consulted as mentioned in chapter 1.3: "Verification of superstructure". For subframe guidelines related to certain body types see the relevant text in the section 'Superstructures'.

BODYBUILDERS' GUIDELINES

Chassis Information

2

Component location

DAF pays much attention to a bodybuilder-friendly positioning of all vehicle components in or on the outside of the chassis frame. In spite of this, for some body types a relocation of components may sometimes be necessary. For the CF75-85 and XF series, DAF uses the following starting positions: location of fuel tanks in front of the rear axle on the right-hand side (for the LF and CF65 series on the left-hand side, immediately behind the cab), leaving sufficient room for twist-locks and crane legs (compact exhaust silencer), standard free space for mudguards on the rear axle(s) and whenever possible no components on the rear overhang section of the chassis. For more detailed component location data, see the bodybuilders' drawings of the vehicle concerned.

2.11 DRAWBAR CROSS MEMBER

The rearmost cross member in the chassis may be constructed as an end beam (on rigids not used for truck/trailer combinations). This end beam is not suitable for the fitting of a towing hook or similar equipment.

The rearmost cross member can also be constructed as a drawbar cross member suitable for the fitting of a towing jaw. At all times the ex-factory supplied drawbar cross member and its carrying supports are built in accordance with the guidelines of directive 94/20EC. Also any non DAF drawbar construction and carrying supports that are submitted to DAF for approval must comply to the same directive.

On request, a drawbar cross member fitted in the required position can ex-works be supplied in combination with an adapted rear overhang (AE). However, if the definitive position will not be known until a later stage, an easy demountable drawbar cross member can be ordered ex-works, which for easy recognition, will be fitted in the chassis the wrong way round.

If necessary, a drawbar cross member fitted in the chassis may be relocated. When relocating a drawbar cross member, always use the **correct quantity** of attachment bolts of the **correct property class**.



Note that flange bolts must not be re-used, unless a new nut can be screwed along the full length of the bolt by hand. For the tightening torques of DAF flange bolts, see section 2.6: "Attachment of components to the chassis".

In normal circumstances (wheels pointing straight ahead, flat road), the position of the trailer drawbar must not deviate more than approx. 10° from an imaginary line parallel to the road.

If mid-axle trailers or trailers with a constrained steered close-coupling system are used which exert lateral forces on the rear overhang of the prime mover, the rear overhang of the prime mover should be fitted with internal lateral stiffeners up to the drawbar cross member, to guarantee sufficient directional stability of the trailer. These lateral stiffeners may consist of, for example, diagonal members (channel section, minimum height 60 mm) in the chassis frame or in the sub-frame (if fitted). However, if the prime mover is fitted with a torsionally rigid body, this extra stiffening is not necessary.

Mid-axle trailers are subject to a vertical load (S) on the towing eye. In combination with the distance between rear axle and coupling pin (AK), this vertical coupling load has an effect on the ride characteristics of the vehicle. This is the reason why the AK dimension is limited. See table 'Maximum AK dimension'.

D value

The D value is defined as the theoretical reference value for the **horizontal** force between the prime mover and the drawn vehicle and is therefore taken as a basis for the maximum load under dynamic conditions. The formulas below (I/II) can be used to determine the minimum D value required for the drawbar cross member or the maximum trailer weight.

Dc value

The Dc value is defined as the theoretical reference value for the **horizontal** force between the prime mover and the **mid-axle trailer** and is therefore taken as a basis for the maximum load under dynamic conditions. The formulas below (III/IV) can be used to determine the minimum Dc value required for the drawbar cross member or the maximum trailer weight:

- GA = Maximum permissible mass of the drawn vehicle (tonnes)
- GT = Maximum permissible mass of the pulling vehicle (tonnes)
- GT' = Maximum permissible mass of the pulling vehicle including the vertical (static) load on the drawbar cross member. (tonnes)
- D = Value of the drawbar cross member (kN)
- g = Gravitational acceleration (►10 m/s²)

$D = g \times \frac{GA \times GT}{GA + GT} \quad (I)$	$GA = \frac{GT \times D/g}{GT - D/g} \quad (II)$
$D_c = g \times \frac{GA \times GT'}{GA + GT'} \quad (III)$	$GA = \frac{GT' \times Dc/g}{GT' - Dc/g} \quad (IV)$

SE0001

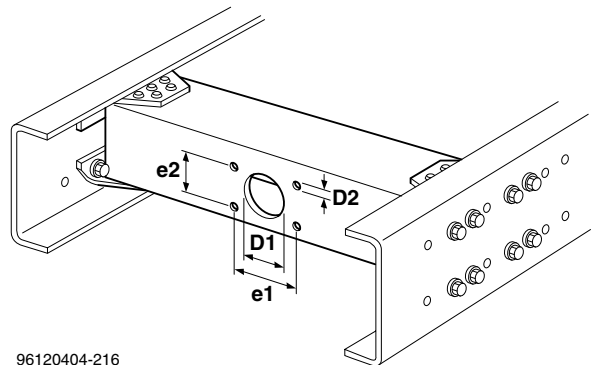
(Also see the table of drawbar cross member data).

BODYBUILDERS' GUIDELINES

Chassis Information

The permissible D value depends on the dimensions of the drawbar cross member and the pattern of holes for the towing jaw; also see the table of drawbar cross member data below.

When determining the maximum permissible mass of the trailer, pay attention not only to the D/Dc value of the drawbar cross member and towing jaw, but also to any statutory requirements and the maximum value stated on the type approval certificate or on the vehicle registration document.



96120404-216

Standard drawbar cross member mounting in the chassis

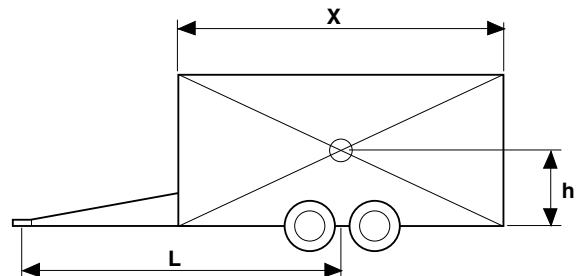
V value

In some countries, it is not only the Dc value that is important for combinations with a **mid-axle trailer > 3.5 tonnes**, but the V value on the coupling also has to meet EC directive 94/20.

The V value is defined as the theoretical reference force for the amplitude of the **vertical** force between the prime mover and the mid-axle trailer and is therefore taken as a basis for the maximum load under dynamic conditions. The minimum required V value for the drawbar cross member can be determined using the formula below (III):

$$V = a \times \frac{X^2 \times C}{L^2} \quad \text{(III)}$$

SE0002



97122901-202

Dimensions of the mid-axle trailer

in all cases X^2/L^2 should be ≥ 1 ; see drawbar cross member data.

Where:

- a = Equivalent acceleration in the coupling point:
 ⇒ 1.8 m/s² for air-sprung prime mover, or
 ⇒ 2.4 m/s² for prime mover with other suspension system.
- X = Trailer body length. (metres)
- L = Distance between centre of trailing axle and end of drawbar. (metres)
- C = Σ axle loads of the trailer. (tonnes)
- V = V value of the drawbar cross member. (kN)

In view of the high 'V' value usually required for the drawbar cross member when a mid-axle trailer is used, DAF advises the mounting of a D19 drawbar cross member in the case of a calculated V value of up to a maximum of 50kN (also see the table of drawbar cross member data).

Drawbar cross member data										
Vehicle type	D value [kN]	Dc value [kN]	V value [kN]	GA [tonnes] ⁽¹⁾	S vertical load [kg]	Bolt	D1	D2	e1	e2
Tractors										
FT CF75-85 and XF	43	-	-	-	-	M14	-	15	120	55
FTG/P CF85-XF	43	-	-	-	-	M14	-	15	120	55
FTS CF85 - XF FTR XF	43	-	-	-	-	M14	-	15	120	55
FTT CF85-XF	43	-	-	-	-	M14	-	15	120	55
FTM XF	43	-	-	-	-	M14	-	15	120	55
Rigids										
FA LF45	70	50	30	15	650	M14	75	15	120	55
FA LF55 13-15t	75	50	18	15	650	M14	75	15	120	55
FA LF55 16-18t FA CF65	100	70	25	25	900	M16	85	17	140	80
FA CF65 ⁽⁴⁾	130	90	28	25	1000	M20	95	21	160	100
CF75/85 and XF	130	90	28	40	1000	M20	95	21	160	100
CF75/85 and XF	190	120	50	65	1000	M20	95	21	160	100
Low version ⁽²⁾	114 ⁽³⁾	114	43.2	24	1000	M20	95	21	160	100

(1) To be calculated according to formula II or IV, to a maximum permissible value as stated in the column. Specific and/or additional requirements may differ from country to country and further restrict the maximum trailer weight (GA).

(2) For more information about this low-positioned DAF drawbar cross member, see the next paragraph.

(3) Tested and released according to TÜV/EC requirements. When the D value is > 114 kN, the use of a mid-axle trailer is not allowed. However, $D_{max} = 130$ kN in countries where the TÜV/EC requirements do not have to be met.

(4) Valid for CF65 chassis produced up to and including week 0512.

Maximum AK dimension (centre-to-centre distance between rearmost axle and coupling)

V value [kN]	Drawbar cross member in rear overhang ^{(1) (2)}		Low-positioned DAF drawbar cross member ^{(1) (2)}	
	Single rear axle	Two or more rear axles	Single rear axle	Two or more rear axles
≤ 25	3000	3500	2300	2950
≤ 40	1900	2200	1450	1850
≤ 43.2	1750	2050	1350	1700
≤ 50	1550	1750	1150	1500

(1) Additional requirements in the country concerned may further restrict the AK dimension. When using a drawbar cross member with a higher V value, consult DAF.

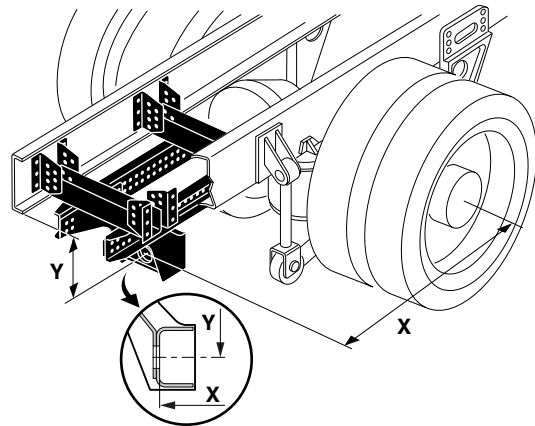
(2) A vertical load on the coupling affects the axle load distribution of the prime mover; always verify that at least 30% of the total vehicle weight is under the front axle(s). See sub 1.6: "Weight distribution"

BODYBUILDERS' GUIDELINES

Chassis Information

Low version

For the CF75/85 and XF series, a lower and more forwards positioned drawbar cross member can be ordered from DAF. When ordering such cross members, state the X and Y dimensions required. These drawbar cross members must be fitted in accordance with DAF's instructions. More information on its overall dimensions and chassis mounting position are available on the chassis detail drawing: 1668101 that is available on the Internet (Corporate DAF website: www.daf.com - > see item "Products"). If any non-DAF constructions are used, the dealer or bodybuilder should submit to DAF a drawing in duplicate for verification. For the legal requirements involved check the first paragraphs of this sub-chapter.



20090503-029

Distance between centre of rearmost axle and mounting face on the inside of drawbar cross member

Position of the low drawbar cross member in relation to the rearmost axle				
Series	Vehicle type ⁽⁴⁾	Type of suspension	Distance X (range): distance between centre of rearmost axle to mounting face on inside of drawbar cross member [mm]	Distance Y: range (maximum) [mm]
			X ⁽¹⁾	Y ⁽²⁾
XF and CF ⁽³⁾	FA / FAS ⁽⁵⁾ + (G)V	air suspension	from 690 to 1140	From 250 to 360
	FAR + (G)V	6-bellows air suspension	from 615 to 1065	from 250 to 360
		6-bellows air suspension	from 565 to 1065	from 272 to 360

(1) Within this range, adjustment pitches for mounting the low-positioned drawbar cross member are 50 mm. Moving the coupling further to the rear, in combination with the use of mid-axle trailers, may have an adverse effect on the ride characteristics. Also take note of statutory requirements, which may differ from country to country. In case of doubt, DAF should be contacted.

(2) Within this range, adjustment pitches for mounting the low-positioned drawbar cross member are 22 mm. One of six possible Y-positions can be ordered ex-factory, see the following table in this paragraph for the possibilities and their corresponding selection code numbers.

(3) FA CF65 chassis from production week 0513 onwards are not included.

(4) (G)V = Low deck chassis type (previously referred to as High Volume chassis).

(5) Delivery of the lowered drawbar cross member for the FAS chassis on POV request only.

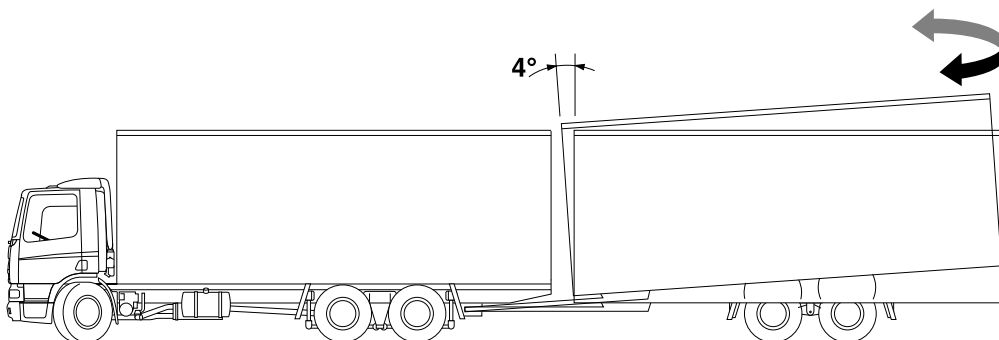
Overview of SELCO number and corresponding Y position ex-factory:

Selco number	Y position [mm] ⁽¹⁾
4948	250
4952	272
4953	294
4954	316
4955	338
4956	360

(1) The X position can limit the choice for any of the available Y-positions. See the previous table for more details.

Centre-to-centre distance between rearmost axle and coupling (AK dimension)

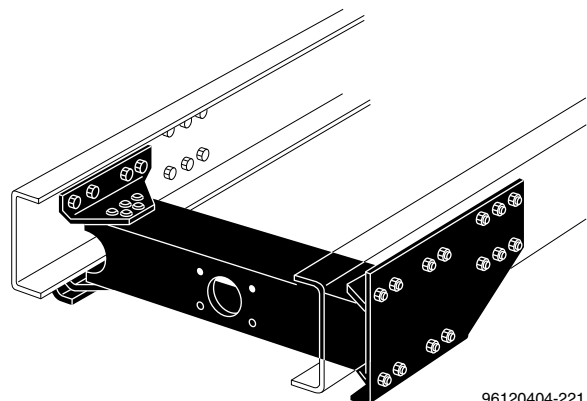
Dimension AK is - dependent upon the make and type of the towing jaw - dimension X + 150/190 mm (\pm min/max). Care should be taken that, when the vehicle combination is placed in any position on a level surface, the space between prime mover and trailer is at all times sufficient to allow a kink angle of **at least 4°**.



20061604-220

When a semi-low drawbar cross member is used, the dealer or bodybuilder should submit to DAF a drawing in duplicate for verification. For the legal requirements involved check the first paragraphs of this sub-chapter.

The mounting of a drawbar cross member in a tractor chassis for combined tractor/trailer applications is permitted in some cases. In such cases, DAF must always be consulted beforehand.



96120404-221

Semi-low drawbar cross member

BODYBUILDERS' GUIDELINES

Chassis Information

2

2.12 REAR LIGHT BRACKETS

Chassis are always delivered with rear light brackets. If however, the rear light units are to be integrated into the body or superstructure then a so called 'transport' bracket could be ordered ex-factory. Be aware that this transport bracket which is a preformed metal sheet panel always must be replaced by a more solid construction.

2.13 WHEEL MOUNTING

All DAF vehicles have spigot-mounted wheels. For safe and trouble-free fitting of the wheels, it is most important that the mating surfaces of wheel rims and brake drums should be absolutely clean.

Any coat of paint must never be thicker than 0.05 mm. In practice this means that the old paint must be removed before applying a new coat.

Tighten the wheel nuts in a cross-wise sequence to the correct torque.

Wheel nut tightening torques ⁽¹⁾	
Wheel nut	Tightening torque [Nm]
M 18 x 1,5 - series FA LF45 -7.5/08 tonnes and FTP non-steered second axle	340 - 400
M 20 x 1,5 - series FA LF45 - 10/12 tonnes, FA LF55 - 12 t/m 15 tonnes and FAN LF55 rear steered axle	450 - 520
M 22 x 1,5 - series LF55 - 18 t/m 19 tonnes, CF and XF	700

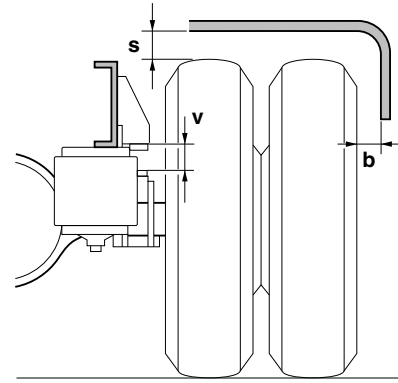
(1) All wheel nuts have RIGHT-HAND thread!

2.14 WHEEL CLEARANCE

To ensure sufficient all-round clearance for the wheels, proceed as follows when bodying the chassis and fitting mudguards or wheel housings:

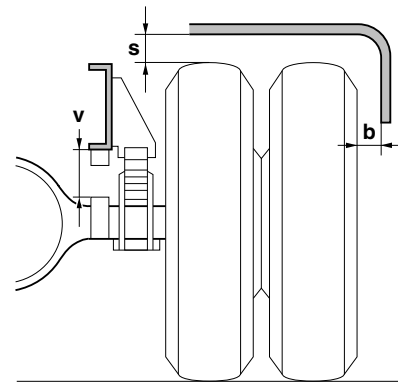
1. Measure the maximum vertical axle movement "v" (metal to metal) on the vehicle.
2. Determine the total vertical space (s) by adding extra space (see table) to the vertical distance 'v', which is required for vertical axle movements and superstructure pitch and roll when cornering or during off-the-road operation.
3. Determine the lateral movement (b) of the tyres (see table). With steered axles, the maximum wheel turning angle should also be taken into account.
4. Note that on multi-axle vehicles the required wheel clearance may be different for the different axles of the vehicle.
5. Finally, it should be taken into account that (extra) space is required for a liftable second axle or rear steered axle and for a rigid trailing axle.

On tractor chassis with flexible plastic or rubber mudguards, which will only be used for operation on surfaced roads and under 'normal' conditions, the mudguards can be fitted without extra clearance. In that case, dimension 's' is equal to dimension 'v'!



96120404-222

Air suspension



20090503-008

Leaf suspension

Wheel clearance			
Operating conditions	Extra space	Total space 's' ⁽¹⁾	Lateral space 'b'
Operation on normal roads	25	v + 25	15
Off-the-road operation	75	v + 75	25
With snow chains:			
- operation on normal roads	60	v + 60	60
- off-the-road operation	110	v + 110	70

(1) Not applicable to Low-Deck chassis.

Clearance dimension

If the chassis to be bodyed is not yet available, the wheel clearance can also be determined on the basis of the bodybuilders' drawing. The chassis height and the HBV/HBT/HBA dimension (metal to metal) can be established from this drawing. To determine the clearance dimension (U), the extra space needed as indicated in the above table may have to be added to the calculated HBV/HBT/HBA dimension.

BODYBUILDERS' GUIDELINES

Chassis Information

Each bodybuilders' chassis drawing refers to drawing No. **1260799/..** (CF75-85 and XF series) or **NSEA383/..** (LF and CF65 series) which shows a number of general vehicle data, such as tyre radius, wheel track and maximum width of the various front and rear axles. This drawing (of course, the one with the latest modification index!) should always be consulted.

2

The above-mentioned bodybuilders' drawings and drawing No. 1260799 are included on the TOPEC-CD ROM and available on the internet (www.daf.com).

Chassis heights

The chassis heights at the front axle (HV dimension) and rear axle (HA dimension) can, for the most commonly used tyre sizes (dimensions according to ETRTO standard), be determined using the TOPEC chassis height calculation program. The height of the tyre above the chassis (HBV/HBT/HBA dimension) and the clearance dimension (U) for the driven rear axle are also indicated.

The formulas for calculating the chassis heights and the corresponding values on the basis of the DAF bodybuilders' drawings are given below:

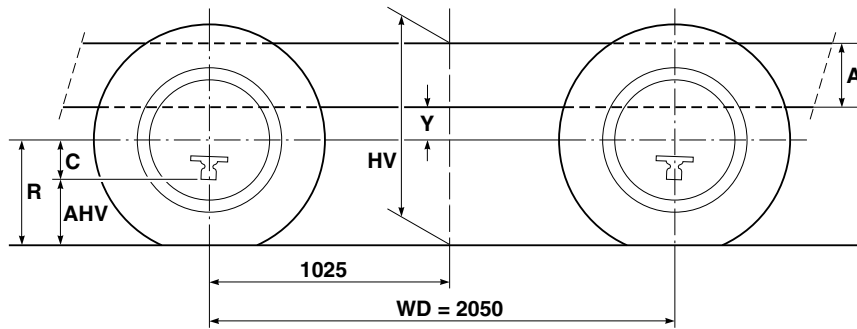
Determining the chassis height on the basis of the bodybuilders' drawing ⁽³⁾	
FRONT AXLE:	$HV = R + Y + A$ ⁽²⁾ $AHV(\text{min.}) = R - C$
REAR AXLE:	$HA = R + Z + A$ ⁽²⁾ $AHA(\text{min.}) = R - D$
	$HBV(\text{max.}) = Ro - A - Z$, metal to metal, at the driven axle.
	$HBA(\text{max.}) = Ro - A - X$, metal to metal, at the trailing axle. $HBA(\text{max.}) = Ro - A - Z$, metal to metal, at the second driven axle
	$HBT(\text{max.}) = Ro - A - V$, metal to metal, at the second front / (non)steered leading rear axle
	$U = HBV + 25 \text{ mm.}$ ⁽¹⁾
	$AHA(\text{min.}) = R - D$

(1) The U dimension given here applies to operation on normal roads. For other operating conditions, see the paragraph 'Driving conditions'.

(2) The calculated chassis heights only apply to the places in the bodybuilders' drawings that are marked HV and HA.

(3) For chassis weights that are not mentioned in the bodybuilders' drawings, you should consult the DAF specification sheets and/or (if you have them) the TOPEC layout calculation data.

The parameters indicated in these formulas can be found in the bodybuilders' drawings concerned. They can also be derived from the above-mentioned drawing 1260799. Therefore, always also refer to this detailed drawing.



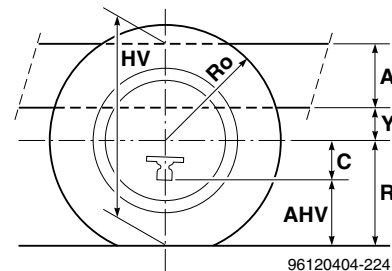
22032802-038

Twin front axle, chassis height

Driving conditions

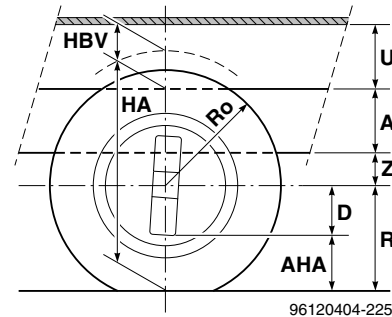
Dimension **U** is the minimum clearance between the top of the chassis side member and the underside of the floor of the body or the mudguard under normal operating conditions. Additional wheel clearance is required under different driving conditions:

- when snow chains are used: **$U' = U + 35 \text{ mm}$**
- for off-the-road operation: **$U' = U + 50 \text{ mm}$**
- for off-the-road operation: + snow chains: **$U' = U + 85 \text{ mm}$**



96120404-224

Single front axle, chassis height



96120404-225

Rear axle, chassis height wheel clearance/
clearance U

BODYBUILDERS' GUIDELINES

Chassis Information

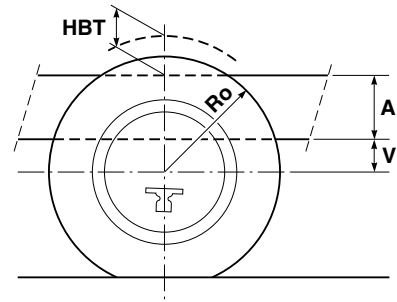


For multi-axle vehicles, it should be established which axle is decisive for the minimum clearance dimension; also see the relevant bodybuilders' drawing.



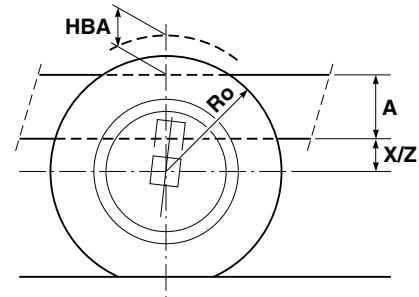
Always also make a check on the vehicle to verify the dimensions.

2



G000359

2nd front axle/second steered axle; tyre above the chassis



G000360

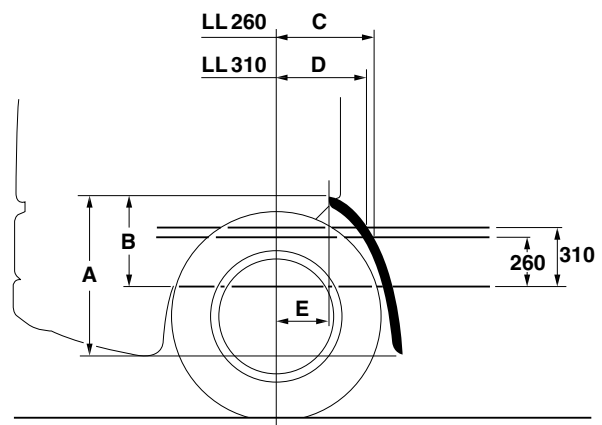
Trailing axle/rear steered axle (X) or second driven rear axle (Z); tyre above the chassis

2.15 LOCATION OF THE MUDGUARDS

On vehicles of the LF55 and CF series, the **front mudguards** can be fitted in different places. Their location depends on the vehicle type and on the wheels and tyres ordered by the customer.

Location of mudguards					
Size	LF55 18-19t	CF65 (1)	CF		
			Low	Medium	High
A	835	778	778	778	778
B	778	527	372	464	517
C	530	584	457	540	575
D	-	-	398	498	541
E	91	240	240	240	240

(1) Values valid for CF65 chassis produced from week 13 2005 onwards (V.I.N. code: XLRAE65CC0E677039).



20090503-007

Position of front mudguards on LF55 and CF series

Mudguards are factory-mounted in accordance with the 91/226/EC directive. However, if the statutory requirements for mudguards do not apply, the mudguards are fitted in the high position as standard.

On the **short cabs** of the CF vehicle series, the superstructure may in certain situations come in the way of the factory-mounted front mudguards. If this is the case, and the problem cannot be solved by using a lower mounting position, the plastic flaps may be sawn off. However, they must never be sawn off lower than the top of the side members. Of course, the bodybuilder should in such cases ensure that wheel protection provisions are refitted in accordance with legal requirements.

If, on a leaf-sprung vehicle, the **rear mudguards** cannot be attached to the sub-frame or to the body, they may be bolted to the chassis side members. Wherever possible, use the existing holes in the chassis. Air-sprung vehicles already have tapped holes for this purpose in the torque rod bracket.

For some tractor chassis, DAF also has standard brackets, which can be used to fit the mudguards to the chassis at various heights, depending on the tyre size.

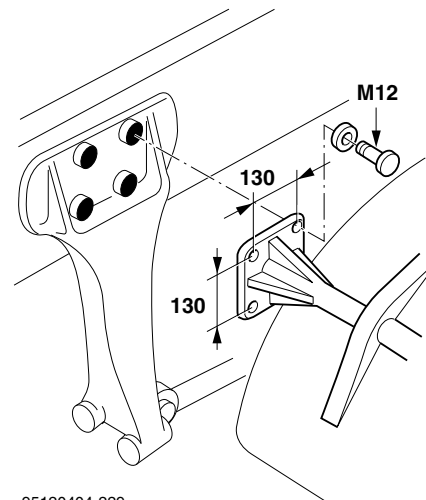
Tractors can ex-works be supplied with these (3-piece) rear mudguards.

2.16 EC-APPROVED REAR UNDERRUN PROTECTION

An EC-approved rear underrun protection beam (with EC certificate No. E4-70/221/92006) is available as an option for certain vehicles. A general exception are the Low-Deck rigid truck chassis (High volume vehicles). There is a choice of three standard heights for ex-works rear underrun protection beams: 270 mm, 300 mm or 330 mm below the chassis. If required, the beam can also be ordered and mounted separately.

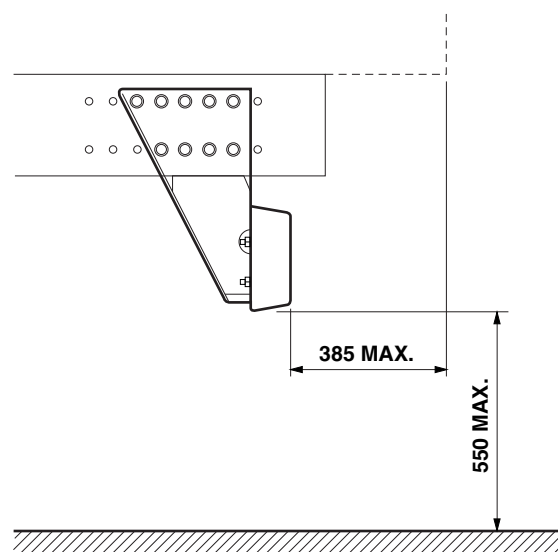
The rear underrun protection beam according the EC legislation, must be mounted at the following position;

- Maximum 550 mm above the road surface, in all situations, laden and unladen vehicle.
- Maximum horizontal distance 385 mm, from the rear end of the vehicle up to the rear end of the underrun protection beam. This 385 mm is based on the maximum legal distance of 400 mm including deformation when a test load has been applied.



95120404-229

Air-sprung driven axle (FA LF55 16-18 tonnes, CF and XF series) mounting of bracket



G000274

BODYBUILDERS' GUIDELINES

Chassis Information

2.17 AUTOMATIC LUBRICATION

The vehicle series that are ex-works supplied with a **lubrication system** can in some cases be given a number of extra lubrication points for the superstructure. Depending upon vehicle application, the vehicle type in question and the required number of lubrication points on the superstructure, a tee piece may be fitted to the pump, which enables the fitting of a second main pipe, running in parallel with the existing system. There are no restrictions for the length of the added main pipe between pump and distribution point. However, the length of the pipe between distribution point and lubrication point is restricted to a maximum of 5 metres. For further information, DAF should be contacted.

2

GENERAL INFORMATION ON SUPERSTRUCTURES

	Page	Date
3.1 Superstructure with sub-frame	49	200849
3.2 BAM's - body attachment methods	53	200849
3.3 First attachment point	59	200849
3.4 Type of superstructure/BAM matrix	61	200849
3.5 BAM instructions, general	62	200849
3.6 FA LF45	64	200849
3.7 FA LF55	68	200849
3.8 FA LF55 18t	72	200849
3.9 FA CF65	76	200849
3.10 FA CF and XF	80	200849
3.11 FAR/FAS CF and XF	83	200849
3.12 FAG CF	86	200849
3.13 FAN LF	89	200849
3.14 FAN CF and XF	92	200849
3.15 FAT CF and XF	95	200849
3.16 FAC/FAX CF	98	200849
3.17 FAD CF and XF	100	200849
3.18 FAK XF	102	200849

BODYBUILDERS' GUIDELINES

General information on superstructures

3

3. GENERAL INFORMATION ON SUPERSTRUCTURES

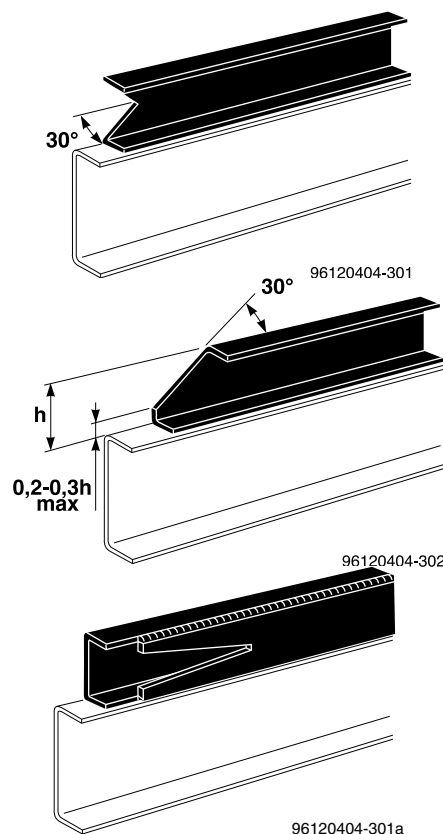
3.1 SUPERSTRUCTURE WITH SUB-FRAME

For a large number of superstructure types, it is necessary to fit a sub-frame on the chassis, not to ensure structural strength and rigidity of the chassis but to obtain sufficient wheel clearance. For this purpose a **non-rigid attachment** is required. The use of a sub-frame gives an even distribution of load, creates sufficient wheel clearance and enables extra components and/or units to be fitted. As a rule, a material (such as aluminium) which is of lower quality than that of the chassis side members can be used for the sub-frame. If, however, the chassis is subjected to higher loads or stresses, the dimensions of the sub-frame should be determined taking account of the anticipated loads, and a **rigid attachment** is required, using attachment plates.

Construction of the sub-frame

The following instructions apply to the construction and attachment of all sub-frames:

- The sub-frame should run the full length of the chassis frame **without joints**. A sub-frame **extending far to the front** also reduces the risk of annoying (speed-dependent) natural frequencies, the so-called bending vibrations, which in some cases may also adversely affect the driving comfort. The front end of the sub-frame, before the first attachment point, should be tapered or dove-tailed to prevent an unnecessarily abrupt change in rigidity between the sub-frame and the chassis frame. Finally, to prevent notching, the front end of the sub-frame must be rounded off on the underside. The radius should be at least 5 mm.
- A channel section (minimum thickness 5 mm) is generally best suited for side member sub-frames. For some applications, e.g. a vehicle loader, it may be necessary to close off the channel section on a part of the sub-frame, so that a box section is formed. In that case, a gradual transition of rigidity should again be guaranteed by dove-tailing.



BODYBUILDERS' GUIDELINES

General information on superstructures

3

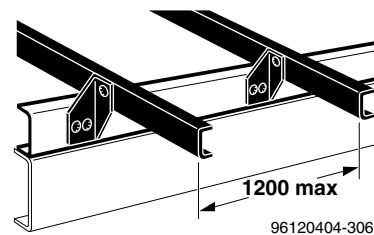
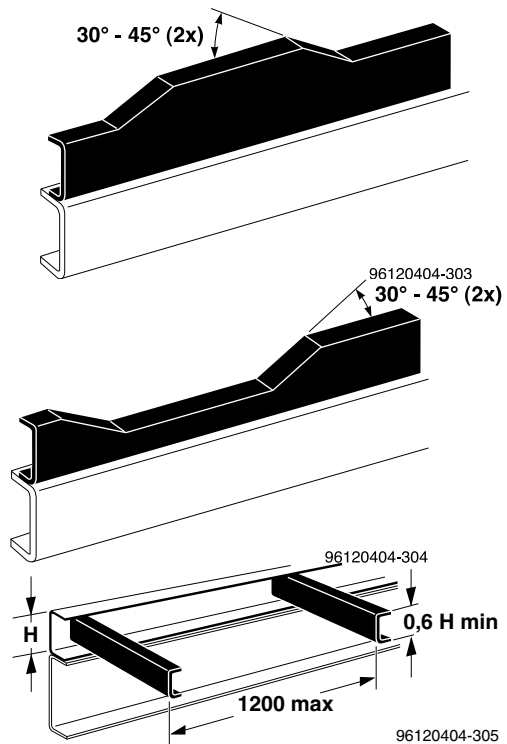
- In the case of a rigid attachment of the sub-frame to the chassis, the material with the lowest mechanical properties is always decisive for the strength and stiffness of the structure. It is therefore then preferable to make the sub-frame from a material which is at least of the same quality as that of the chassis frame; see the overview of side member dimensions in section 2.10: "Chassis dimensions". If a material **other than steel** is used for a rigidly attached sub-frame, the shape and dimensions must be determined taking account of the specific characteristics of the material in question. Consult DAF for more information.
- The sectional pattern of a construction must always be uniform. Each addition in the form of construction reinforcements must continue to guarantee a uniform pattern of the linear moment of inertia. If, for any reason, the sub-frame height is decreased or increased in some places, always ensure that there is a gradual transition of rigidity.
- The maximum permissible distance between one cross member and the next in or on top of a sub-frame is 1200 mm.
- The height of the sub-frame cross members must be at least 0.6 times the height of the sub-frame side members. The sub-frame cross members should be fitted in such a way that they can follow the movements of the chassis frame.
- Cross members should preferably **not** be welded to the sub-frame flanges.

Any vertical forces exerted on the chassis should be introduced via the side member webs and not via the side member flanges! The upper (and lower) flanges only serve to add sufficient strength and stiffness to the section, and they can easily be deformed if incorrectly loaded by transverse forces exerted on the flange ends. If this happens nonetheless, the inside of the section (between the flanges) should be adequately reinforced, so that deformation and/or damage are prevented. Clamped joint to the flanges are forbidden.

Filler between chassis and sub-frame

If a filler has to be fitted between the chassis frame and the sub-frame (for example in the case of an aluminium sub-frame), always use a form-retaining filler (preferably plastic) over the full length.

Never fit a filler in the case of totally or partly rigid attachment of the sub-frame (BAM 2, 3 and 4).



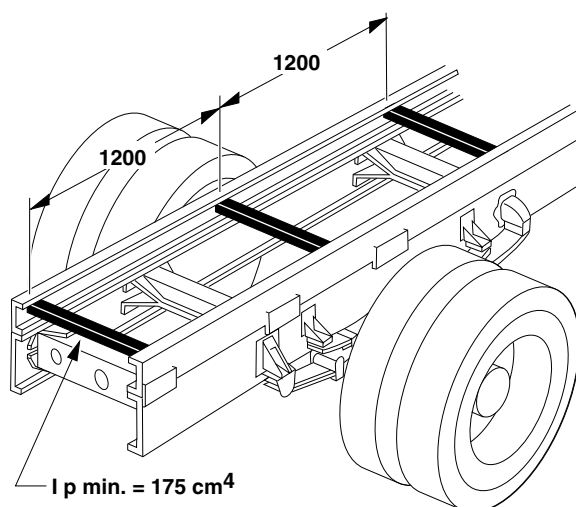
Stability by torsional stiffening of the sub-frame

For some (deforming) superstructures, vehicle stability requires torsional stiffening of the rear overhang. This stiffening can consist of parts of the body (e.g. a tipping stabiliser), separate torsionally stiff cross members or cruciform braces fitted in the sub-frame; see the figures opposite. Where necessary, this is stated in the relevant text of section 4: "Superstructures".

Note:

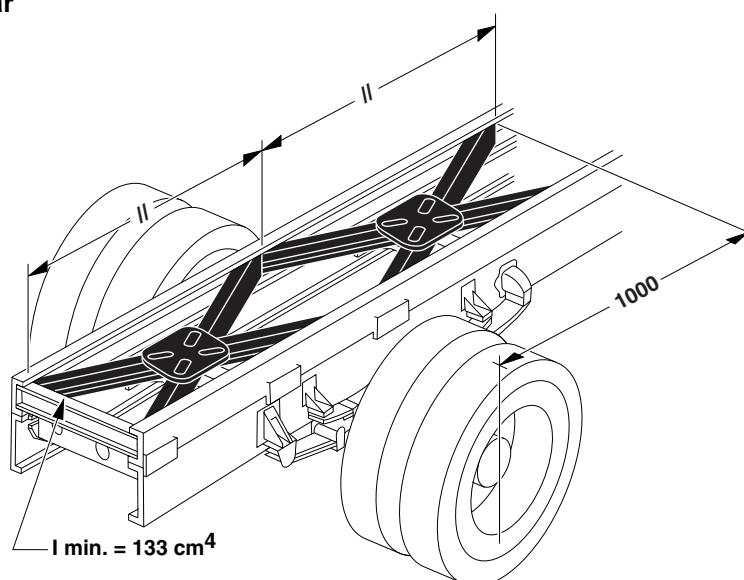
The cruciform braces must be fitted as close as possible to the chassis frame and starting from 1000 mm in front of the centre line of the last axle up to the end of the sub-frame.

Vehicle stability during operation of any superstructure system is the responsibility of the bodybuilder and the user. The user should at all times make sure that vehicle stability is guaranteed. It is therefore important that clear instructions for use of the superstructure should be provided on or supplied with the vehicle.



96120404-307

Cross members for torsional stiffening



G000436

Cruciform bracing for torsional stiffening

Comparative table for sub-frame sections

Section designation ⁽¹⁾	Area of cross section [cm ²]	Specific weight of the section M [kg/m]	Moment of resistance W _x at vertical loa [cm ³]	Linear moment of inertia I _x at vertical loa [cm ⁴]
Hot-rolled channel section				
UNP 60	6,5	5,17	10,5	31,6
UNP 65	9,0	7,2	17,7	57,5
UNP 80	11,0	8,9	26,5	106,0
UNP 100	13,5	10,8	41,2	206,0
UNP 120	17,0	13,7	60,7	364,0
UNP 140	20,4	16,4	86,4	605,0

BODYBUILDERS' GUIDELINES

General information on superstructures

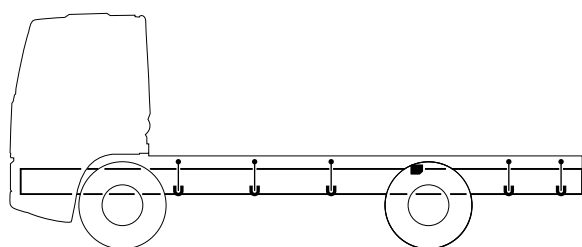
Section designation ⁽¹⁾	Area of cross section [cm ²]	Specific weight of the section M [kg/m]	Moment of resistance W _x at vertical load [cm ³]	Linear moment of inertia I _x at vertical load [cm ⁴]
UNP 160	24,0	19,2	116,0	925,0
UNP 180	28,0	22,5	150,0	1350,0
Cold-rolled channel section				
U 60x30x4	4,36	3,49	7,8	23,5
U 60x40x4	5,16	4,13	9,9	29,8
U 80x50x6	9,80	7,8	24,5	98,0
U 100x50x6	11,0	8,8	33,4	166,8
U 100x60x4	8,36	6,69	27,3	136,6
U 100x65x6	12,8	10,24	41,3	206,6
U 120x60x5	11,3	9,0	42,3	254,0
U 120x60x6	13,4	10,7	49,5	297,1
U 140x60x4	9,9	8,0	42,7	298,7
U 140x60x6	14,6	11,7	61,2	428,3
U 160x60x6	15,8	12,6	73,7	589,2
U 160x70x5	14,3	11,4	70,2	561,2
U 180x60x5	14,3	11,4	73,8	664,2
U 180x60x6	16,9	12,9	83,9	755
U 200x60x6	18,1	13,9	97,6	976
Box section				
□ 80x80x6	17,2	13,9	40,7	163
□ 80x80x7	20,4	16,0	45,8	183,2
□ 80x100x8	26,2	20,6	60,8	243,2
□ 80x120x8	29,4	23,1	71,2	284,8
□ 100x100x8	29,4	23,1	83,7	418,4
□ 100x120x7	28,8	22,6	87,6	438,1
□ 100x150x8	37,4	29,4	117,6	588,1
□ 120x120x8	35,8	28,1	125,5	753,1
□ 120x120x10	44,0	34,5	149,1	894,7
□ 120x120x12	48,0	40,7	151,5	959,4
□ 140x140x12	61,4	48,2	241,8	1692
□ 150x150x12	66,2	51,5	282,4	2118

(1) The table above gives information about some of the most commonly used sub-frame sections. This table may also be useful for the selection of alternative materials with similar properties. The dimensions, weights and static data apply to sections without flitches!

3.2 BAM'S - BODY ATTACHMENT METHODS

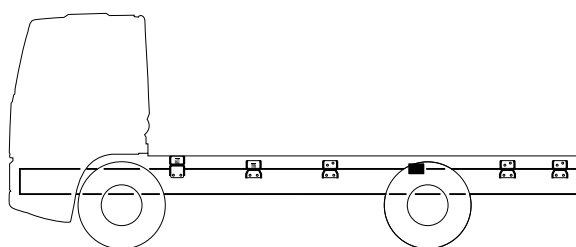
BAM (Body Attachment Method) type - overview

DAF uses **five** body attachment methods (BAM 1, 2, 3, 4 and 5) for the mounting of superstructures. By using one of three basic attachment techniques (or a combination of them), an optimum and homogeneous superstructure and chassis attachment can be realised for each type of superstructure. The basic techniques are: non-rigid attachment, rigid attachment and attachment with consoles.



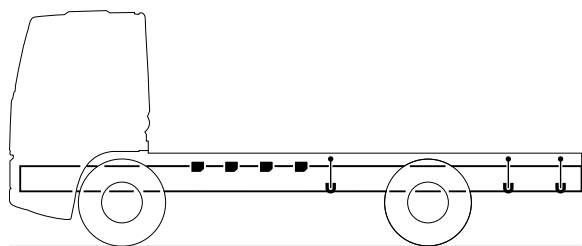
96120404-309

BAM 1: fully non-rigid attachment (CF75-85 and XF Series)



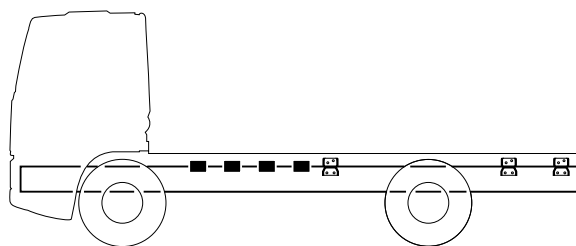
G000429

BAM 1: fully non-rigid attachment (LF and CF65 Series)



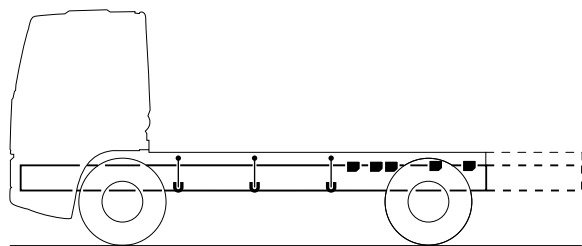
96120404-310

BAM 2: rigid attachment at front (CF75-85 and XF Series)



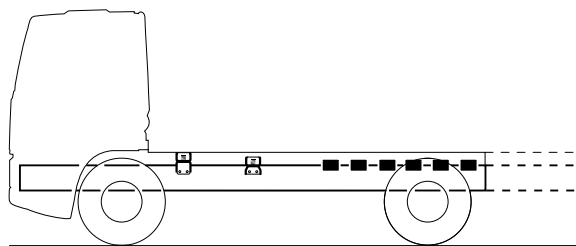
G000430

BAM 2: rigid attachment at front (LF and CF65 Series)



96120404-311

BAM 3a + 3b: rigid attachment at rear (CF75-85 and XF Series)

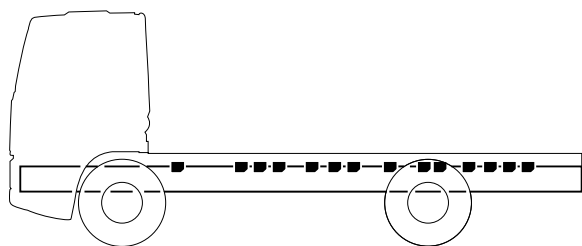


G000431

BAM 3: rigid attachment at rear (LF and CF65 Series)

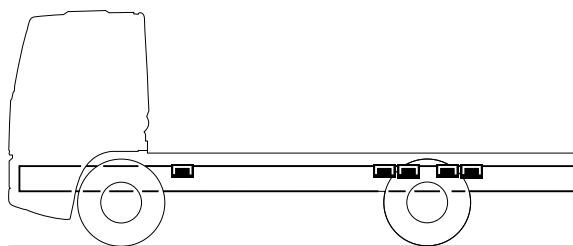
BODYBUILDERS' GUIDELINES

General information on superstructures



BAM 4: fully rigid attachment

96120404-312



BAM 5: attachment with consoles

96120404-313

3

Three attachment techniques

DAF uses three basic attachment techniques for the mounting of superstructures. By using one of these three attachment techniques (or a combination of them), an optimum and homogeneous superstructure and chassis attachment can be realised for each type of superstructure. DAF's superstructure attachment techniques are based on state-of-the-art technological knowledge in the field of chassis stiffness and spring systems. Observation of the attachment recommendations guarantees that the dynamic behaviour of the bodied vehicle will be the same as defined and tested by DAF.

- Tie rods

The tie rod attachment technique provides a **non-rigid** connection. It allows limited displacement of the superstructure in the longitudinal direction. This gives little resistance to torsion, so that, while driving on bumpy roads, the chassis frame and the superstructure will be able to follow each other well. The result is a good balance between road grip and ride comfort.

Tightening torque of M16 nut for tie rod (CF75-85 and XF series): 55 Nm

A: = 60 mm for CF75-85 series
= 60 - 70 mm for XF series

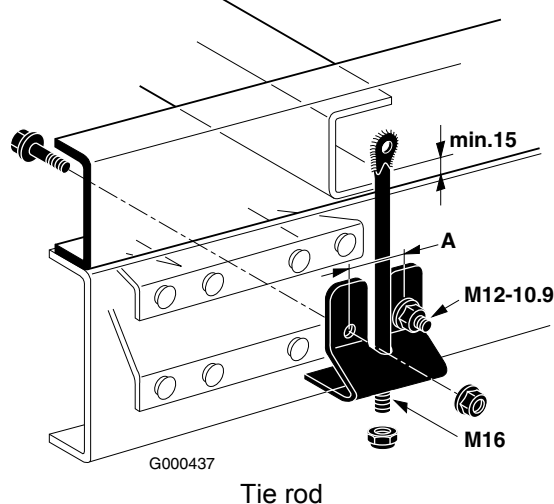
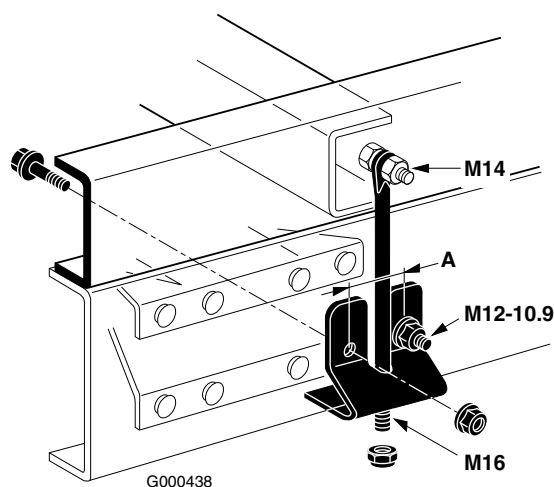
This technique can be used for a superstructure with or without sub-frame, in accordance with the following guidelines:

- When using this attachment technique, always fit **at least one attachment plate** near the rear axle, for superstructure fixation in the longitudinal direction.
- The attachment brackets should be mounted with flange bolts near the cross member attachment points in the chassis frame. The maximum permissible distance between the tie rods is **1200 mm**. The tie rod should be located against the side member, so that lateral displacement of the sub-frame or superstructure is prevented.
- The tie rod should have a working **length** of at least **150 mm**. A tie rod may be bolted or welded to a superstructure cross member or to the sub-frame. Tie rods should always be placed in a vertical position.
- As an alternative, an M16 stud of this length may also be used.
- The **property class** of the tie rod material should in any case be **at least 8.8**.
- If the tie rods are bolted to the sub-frame, the thickness of the sub-frame should at least be 5 mm.
- Always use self-locking nuts or locknuts for the attachment of tie rods.

For the tightening torques of DAF flange bolts, see section 2.6: "Attachment of components to the chassis".

- Consoles

DAF distinguishes console models that are mounted to the vertical section of the chassis profile (model A) and consoles that additionally are supported by the upper flange of the main chassis longitudinal (model B). Due to its specific features DAF advises the console model B with additional chassis flange support to be used for BAM 5 attachment (described further down this chapter).



BODYBUILDERS' GUIDELINES

General information on superstructures

Console; model A (LF and CF65 only)

These consoles can be equipped with or without pressure springs to provide a non-rigid or rigid connection similar to the tie rod and attachment plate connection that is described further down in this chapter.



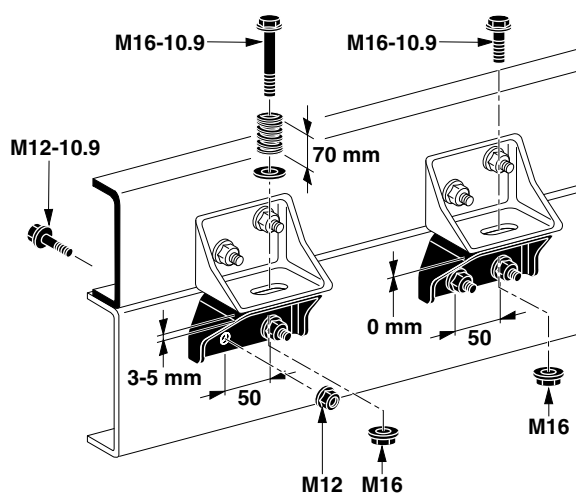
The rigid connection with DAF type console may however not be classified equal to the attachment plate connection due to the differences in dimensional features and the number of fasteners used.

3

This technique can be used for superstructures with a sub-frame, in accordance with the following guidelines:

- The mating surfaces of the console with the sub-frame and with the chassis frame should be free from paint and impurities. The only coating allowed is a thin layer of primer (thickness 17 - 25 μm).
- DAF supplied consoles have elongated fixing holes in their flanges. Therefore only flanged bolts and nuts should be used to fasten DAF consoles to the sub-frame consoles or brackets. Non flanged fasteners may only be used in combination with 4 mm thick washers with an outside diameter of at least 34 mm under the nut and bolt heads.
- When pressure springs are used, the pre-tension of each spring should be 1,5kN. For DAF-supplied springs, the specified pre-tension is obtained by compressing the springs to a length of 70 mm. The springs can be fitted on the upper console of the sub-frame or under the lower console of the chassis longitudinal.
- For the rigid attachment method the consoles must be positioned in such a way that the touching surfaces have contact over the full length with no gap in between them. This will avoid unnecessary stress in the console flanges, sub-frame and chassis longitudinal.

For the tightening torques of DAF flange bolts, see section 2.6: "Attachment of components to the chassis".



Consoles (model A) with and without pressure spring

- Attachment plates

Attachment using attachment plates gives a **rigid connection** between the superstructure sub-frame and the chassis frame (provided that sufficient flange bolts are used), so that the sub-frame contributes to the strength and stiffness of the chassis frame.

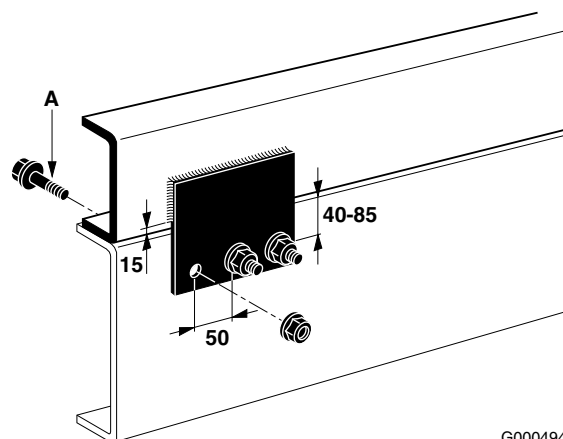
A: M12 - 10.9 (LF45 ,LF55 and CF65 series)
M16 - 10.9 (CF75-CF85 and XF series)

Rigid attachment with attachment plates is only used where necessary for the strength of the construction.

This technique can only be used for superstructures with a sub-frame, in accordance with the following guidelines:

- The mating surfaces of the attachment plate with the sub-frame and with the chassis frame should be free from paint and impurities. The only coating allowed is a thin layer of primer (thickness 17 - 25 µm).
- When mounting the attachment plates, wherever possible use the holes in the chassis specially provided for this purpose.
- If no sub-frame is used and the superstructure is mounted with tie rods, one attachment plate should be fitted to an extra connection between two superstructure cross members (near the rear axle) for superstructure fixation in the longitudinal direction. This should be done in accordance with BAM 1.

For the tightening torques of DAF flange bolts, see section 2.6: "Attachment of components to the chassis".



Attachment plate

G000494

BODYBUILDERS' GUIDELINES

General information on superstructures

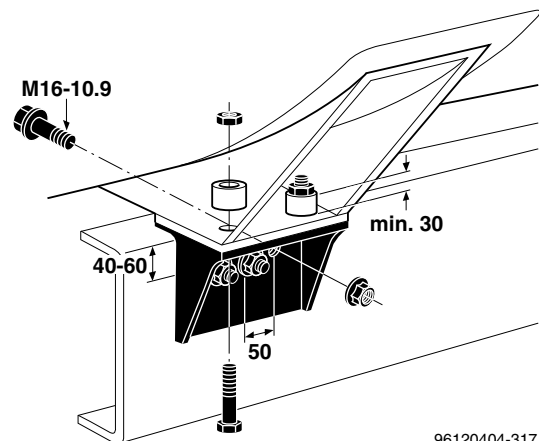
- Consoles; model B (for BAM 5 attachment)

Console attachment enables torsionally rigid superstructures, such as tanks and similar constructions, to be mounted to the chassis frame without overloading the superstructure or the chassis. The attachments must be made in such a way that torsional movement of the chassis is not hindered when driving on bumpy roads.

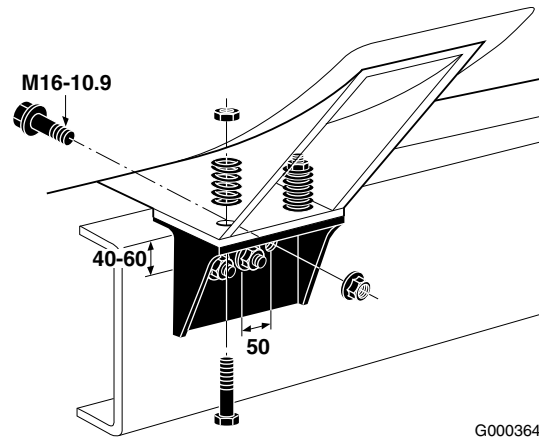
This technique can be used for superstructures without a sub-frame, in accordance with the following guidelines:

- Consoles must guide the superstructure in both transverse and longitudinal direction. In the vertical direction, only slight movement is permitted resulting from torsion occurring in the chassis. Superstructure-to-console attachment can be a fixed attachment or an attachment with pressure springs, depending on the type of superstructure and the operating conditions.
- For a fixed superstructure-to-console attachment, spacer bushes with a length of at least 30 mm should always be fitted to permit the use of bolts that are long enough to allow some degree of stretch.
- In relation with a vertical static console load of 20 kN two pressure springs should be used, the pre-tension of each spring should be 3 kN. The minimum spring rate per spring is 225 N/mm.
- The console attachment introduces a local vertical point load which results in local stress in the chassis. Therefore the chassis longitudinal must be reinforced with an innerliner, in case there is no innerliner reinforcement a subframe must be mounted.
- The console attachment might also introduce lateral torsion on the longitudinal. This torsion must be eliminated by a cross member supporting the longitudinal from the inside. See section 2.6: "Attachment of components to the chassis".

For the tightening torques of DAF flange bolts, see section 2.6: "Attachment of components to the chassis".



Console (model B) with fixed attachment



Console (model B) with pressure springs

3.3 FIRST ATTACHMENT POINT

First attachment point

The DAF chassis has a provision for the first (non-rigid) attachment point for BAM 1 and BAM 3 attachment methods.

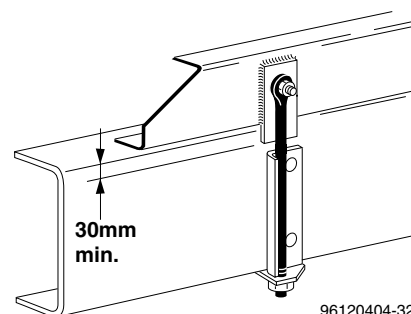
If this attachment does not concern a bracket for the DAF tie rod, but another bracket or a threaded hole in a spring bracket, a normal M16 stud (property class 8.8) should be used. The working length of this stud should also be at least 150 mm. The console or plate used to fit this stud to the sub-frame, should **at all times project at least 30 mm downwards along the chassis frame**. This is necessary to prevent lateral displacement of the sub-frame.

On LF and CF65 series with non rigid attachment at the front end (BAM 1 + 3) the first and second console must at all times be equipped with a pressure loaded spring to ensure a sufficient non-rigid attachment. To prevent lateral displacement of the sub-frame either the first console must be projected at least 30 mm above the chassis frame or an additional restraint plate must be fitted on the sub-frame projecting at least 30 mm downwards along the chassis frame. Check previous chapter for more detailed information.

For some examples of first attachment points, which can be found on various vehicle series, see the illustrations in this section.

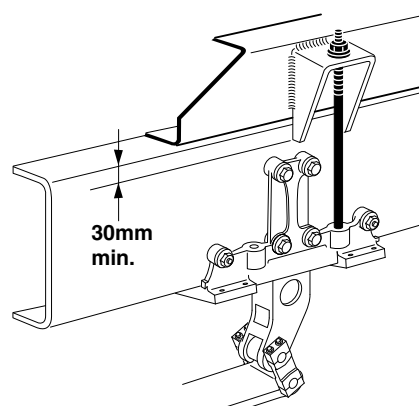
Note:

Consult the table at the end of this chapter for factory-prepared positions of the first attachment point in relation to the front axle centre line .



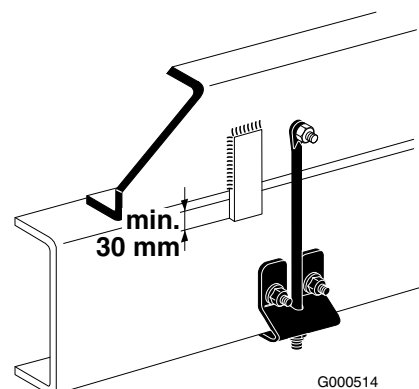
96120404-321

First attachment, CF75-85 and XF series



20081102-005

With stud in spring bracket, CF75-85 and XF series



G000514

First attachment, FAT CF75-85 series with day cab (no vertical exhaust system)

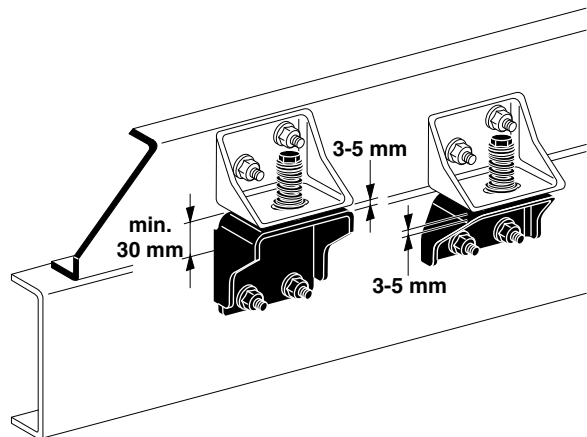
BODYBUILDERS' GUIDELINES

General information on superstructures

Exception

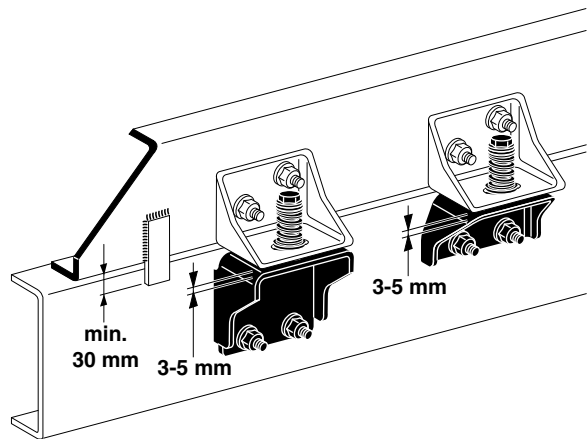
Under extreme conditions, as is for instance the case with torsionally rigid superstructure constructions, a somewhat flexible attachment at the first attachment point is recommended. To this end, springs or rubber can be used. The degree of flexibility required depends on the operating conditions (area of application), the relative torsional stiffness of the superstructure and the experience of bodybuilders in similar situations. The springs of the DAF range may also be used for this purpose. See section 8: 'Order numbers of DAF parts'.

3



G000425

First and second attachment, LF and CF65 series



G000453

First and second attachment with restrainer plate, LF and CF65 series

Position of first attachment point (non-rigid) in relation to front axle centre line								
Vehicle type	Leaf-sprung front axle				Air-sprung front axle			
	Day cab		Sleeper cab		Day cab		Sleeper cab	
	LH side	RH side	LH side	RH side	LH side	RH side	LH side	RH side
FA LF45 7.5/12 tonnes	611 ⁽²⁾		1205	119 ⁽¹⁾	-		-	
FA/N LF55 12/15 tonnes	620 ⁽²⁾		894		-		-	
FA LF55 18-19 tonnes	570 ⁽²⁾		844		-		-	
FA CF65	851 ⁽²⁾		1040		-		-	
FA CF75-85	619 ⁽³⁾		1072		562		922	
FA XF	-		1072		-		922	
FAS/R/N CF75-85	562 ⁽²⁾		922		562		922	
FAS/R XF	-		922		-		922	
FAG CF75-85	619 ⁽³⁾		1072		-		-	
FAT CF75-85	571 ⁽²⁾		922		-		-	
FAT XF	-		922		-		-	

Position of first attachment point (non-rigid) in relation to front axle centre line								
Vehicle type	Leaf-sprung front axle				Air-sprung front axle			
	Day cab		Sleeper cab		Day cab		Sleeper cab	
	LH side	RH side	LH side	RH side	LH side	RH side	LH side	RH side
FAD XF	-		1015		-		-	
FAC/D/X CF85	619 ⁽²⁾		1015		-		-	
FAK XF	-		1067	1048	-		-	

(1) Distance is valid for chassis equipped with 125 Ah batteries. If 175 Ah batteries are installed then the distance is 1281 mm.

(2) If a vertical exhaust system (pipe) is fitted then use the values of the sleeper cab situation.

(3) If a vertical exhaust system (pipe) is fitted then the distance is 677mm.

3.4 TYPE OF SUPERSTRUCTURE/ BAM MATRIX

The following overview shows the attachment method specified by DAF for each of the most common types of superstructure. The aim has been to achieve an optimum compromise between chassis strength and rigidity for specific superstructures on the one hand (strength) and maximum flexibility for vehicle comfort on the other hand. Consult DAF for any superstructure variants not mentioned in this matrix.

BAM overview on the basis of types of superstructure						
TYPE OF SUPERSTRUCTURE	BAM 1	BAM 2	BAM 3a ⁽¹⁾	BAM 3b ⁽¹⁾	BAM 4	BAM 5
Fixed body	■					
Demountable body with sub-frame	■					
(High-)volume body	■		■			
Body with tail lift				■		
Tanker with sub-frame	■					
Tanker with console attachment						■
Compactor refuse collector	■		■			■
Refuse collector with rotating drum					■	
Road sweeper	■		■			
Gully emptier	■		■			
Tipper with front-end ram			■			
Tipper with central ram			■			
Three-way tipper			■		■	
Tipping demountable body					■	
Loading arm system					■	
Concrete mixer and concrete pump					■	

BODYBUILDERS' GUIDELINES

General information on superstructures

3

BAM overview on the basis of types of superstructure						
TYPE OF SUPERSTRUCTURE	BAM 1	BAM 2	BAM 3a ⁽¹⁾	BAM 3b ⁽¹⁾	BAM 4	BAM 5
Vehicle loading crane immediately behind the cab		■			■	
Vehicle loading crane at rear end of chassis			■		■	
Recovery vehicle					■	
Hydraulic platform (dependent on type)	■				■	
Fork-lift truck carrier				■		
Fire-fighting vehicle (water tender)	■					■

(1) For LF and CF65 chassis use BAM3 instead of BAM3a or BAM3b.



Ensure that the operation of the moving parts on the chassis cannot be impeded by the attachments. Furthermore, all vehicle components should remain easily accessible for maintenance and repair.

3.5 BAM INSTRUCTIONS, GENERAL

For correct sub-frame attachment, the following bodying instructions should be adhered to:

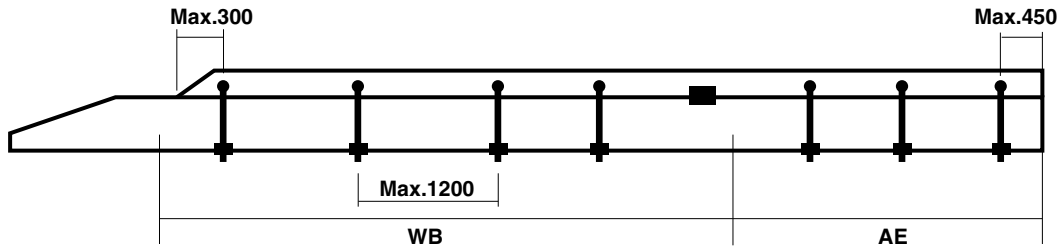
- A.** The minimum numbers of fasteners stated on the next pages should be strictly adhered to. The fasteners should be evenly spaced over the parts I, II and III indicated in the drawings on the next pages. The length dimensions of the parts I, II and III are indicative values.
- B.** The numbers indicated always apply to only one chassis member.
- C.** When attachment methods **BAM 1, 2, 3a, 3b and 4** are applied, the distance between one attachment point and the next must never be more than 1200 mm. The only exception to this rule is BAM 2, where it is impossible to fit tie rods between the spring brackets of the rear axle!
- D.** The sub-frame should extend forwards as far as possible and it should be attached to the first attachment point.
- G.** The rear end of the body must not protrude more than 450 mm from the rearmost attachment point.
- H.** Sometimes two figures are given for the number of attachments. In such cases, the number depends on the pre-drilled holes and/or the rear overhang selected, and should be in accordance with the instructions given above.
- I.** Always consult DAF when, applying one of the BAM's detailed on the next pages, you are unable to comply with the above instructions.
- J.** On LF, CF and XF vehicles, the hole patterns for BAM 1 and BAM 3 are partly provided. In some cases, these holes can of course also be used for BAM 4 and/or BAM 5.

BODYBUILDERS' GUIDELINES

General information on superstructures

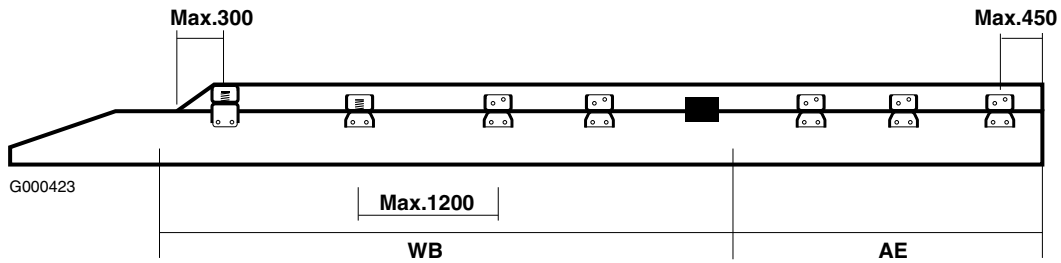
- E. The front of the body must not protrude more than 300 mm from the first attachment point.
- F. The matching attachment points in the LH and RH side members must not be more than 300 mm backwards or forwards in relation to each other.
- K. The chassis frames of all vehicle series (with the exception of the FA LF45) are tapered at the cab rear wall. The sub-frame used should follow the lines of the chassis frame.
- L. On some vehicles the front body attachment plates coincide with the vehicle component attachment brackets. It is allowed to fit a body attachment plate with a thickness of at most 8 mm between side member and attachment brackets. It should however be ensured that the attachment and the position of the component on the chassis are equivalent to the original construction.

3



CF75-85 and XF Series

96120404-322



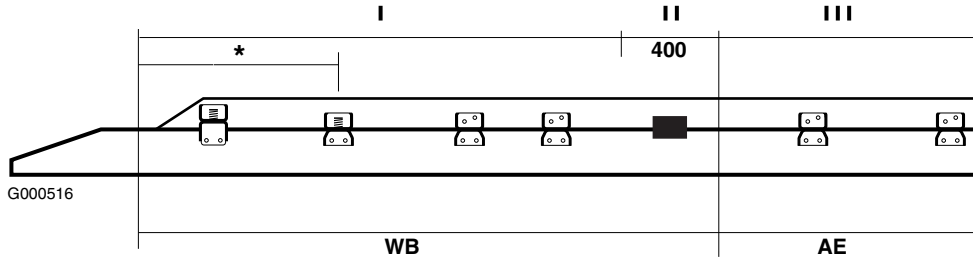
LF and CF65 Series

BODYBUILDERS' GUIDELINES


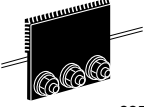

General information on superstructures

3.6 FA LF45

FA LF45, BAM 1.



* See 3.3: "First attachment point".

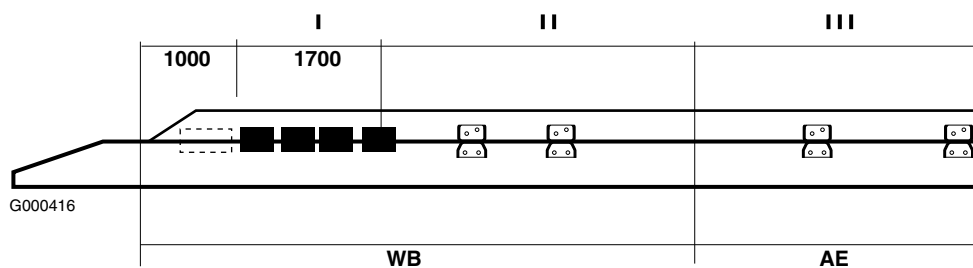
Wheelbase [m]	Rear axle suspension	I (1)	II	III
				
≤ 3.55	Parabolic + air	3	1	2
≤ 4.30	Parabolic + air	4	1	3
≤ 5.00	Parabolic + air	5	1	4
≤ 5.40	Parabolic + air	5	1	3

(1) The first and second consoles always are spring loaded; see 3.3: "First attachment point"

BODYBUILDERS' GUIDELINES

General information on superstructures

FA LF45, BAM 2.



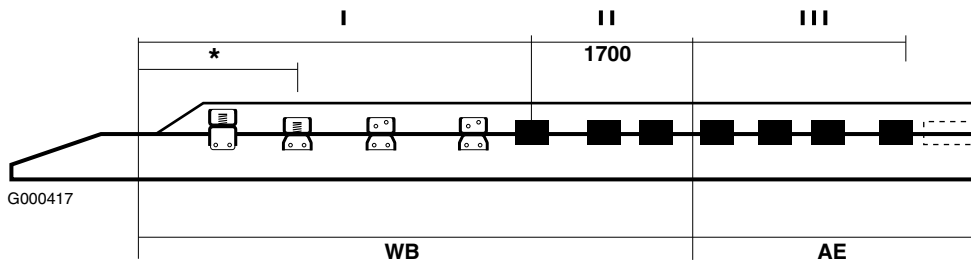
Wheelbase [m]	Rear axle suspension	I	II	III
≤ 3.55	Parabolic + air	2	1	2
≤ 4.30	Parabolic + air	2	2	3
≤ 5.00	Parabolic + air	2	3	4
≤ 5.40	Parabolic + air	2	3	3

3

BODYBUILDERS' GUIDELINES


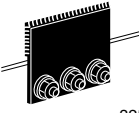
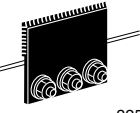
General information on superstructures

FA LF45, BAM 3.



* See 3.3: "First attachment point".

3

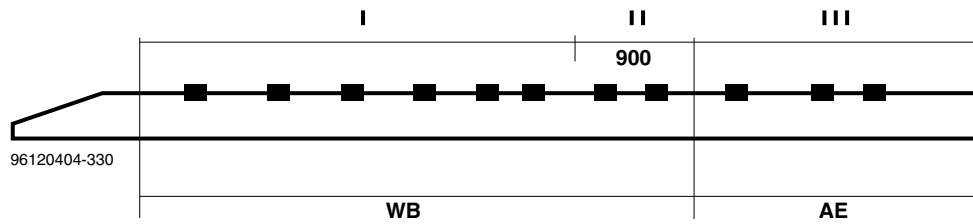
Wheelbase [m]	Rear axle suspension	I (1)	II	III
		 G000426	 -325	 -325
≤ 3.00	Asymmetric	1	3	1
≤ 3.15	Parabolic	1	3	2
≤ 3.15	Air	2	2	2
≤ 3.55	Parabolic + air	2	2	2
≤ 3.90	Parabolic + air	2	3	3
≤ 4.30	Parabolic + air	3	2	3
≤ 4.65	Parabolic + air	4	2	4
≤ 5.00	Parabolic + air	3	3	4
≤ 5.40	Parabolic + air	4	2	3

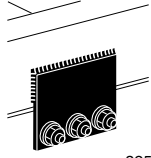
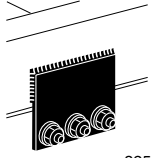
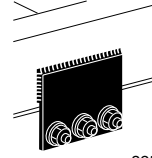
(1) First and second consoles are always spring loaded, see 3.3: "First attachment point"

BODYBUILDERS' GUIDELINES

General information on superstructures

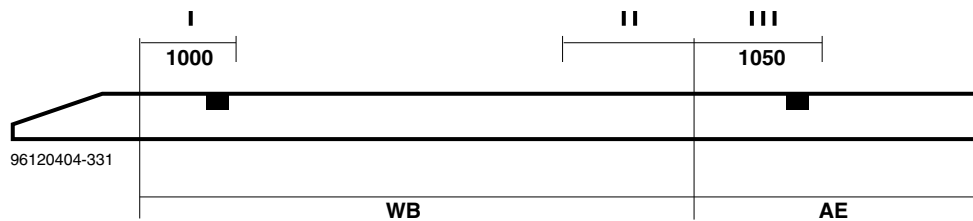
FA LF45, BAM 4.

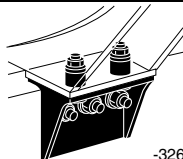
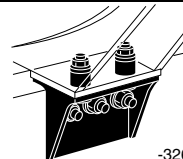


Wheelbase [m]	Rear axle suspension	I	II	III
		 -325	 -325	 -325
≤ 3.00	Asymmetric	2	2	1
≤ 3.15	Parabolic + air	2	2	2
≤ 3.55	Parabolic + air	3	1	2
≤ 4.30	Parabolic + air	4	1	3
≤ 5.00	Parabolic + air	5	1	4
≤ 5.40	Parabolic + air	5	1	3

3

FA LF45, BAM 5.



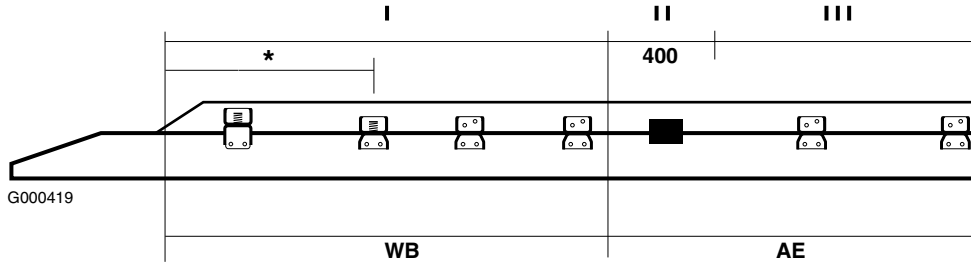
Wheelbase [m]	Rear axle suspension	I	II	III
		 -326		 -326
≤ 3.55	Parabolic + air	1	-	1

BODYBUILDERS' GUIDELINES


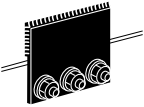

General information on superstructures

3.7 FA LF55

FA LF55 13-15T, BAM 1.



* See 3.3: "First attachment point"

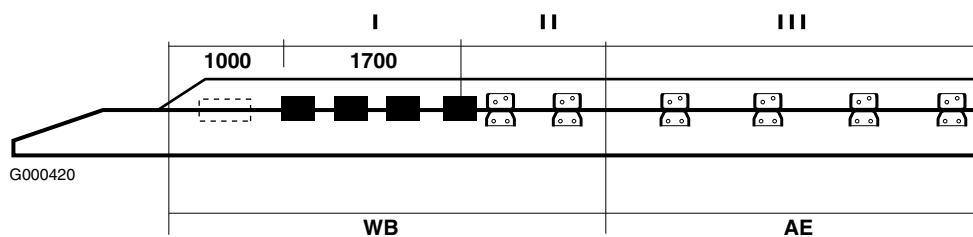
Wheelbase [m]	Rear axle suspension	I (1)	II	III
		 G000426	 -325	 G000426
≤ 3.50	Parabolic + air	3	1	2
≤ 4.20	Parabolic + air	4	1	3
≤ 4.80	Parabolic + air	5	1	3
≤ 5.90	Parabolic + air	6	1	4
≤ 6.30	Parabolic + air	7	1	4

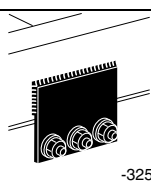
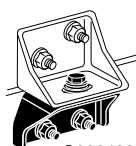
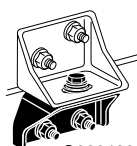
(1) First and second consoles are always spring loaded, see 3.3: "First attachment point"

BODYBUILDERS' GUIDELINES

General information on superstructures

FA LF55 13-15T, BAM 2.



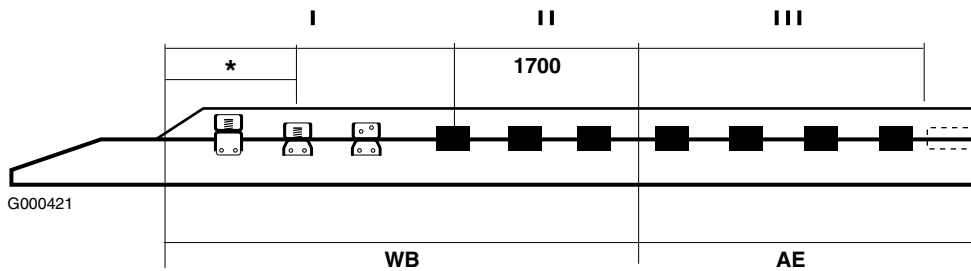
Wheelbase [m]	Rear axle suspension	I	II	III
		 -325	 G000426	 G000426
≤ 3.50	Parabolic + air	2	1	2
≤ 4.20	Parabolic + air	2	2	3
≤ 4.80	Parabolic + air	2	3	3
≤ 5.90	Parabolic + air	2	4	4
≤ 6.30	Parabolic + air	2	5	4

3

BODYBUILDERS' GUIDELINES


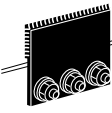
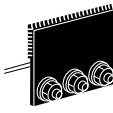
General information on superstructures

FA LF55 13-15T, BAM 3.



* See 3.3: "First attachment point".

3

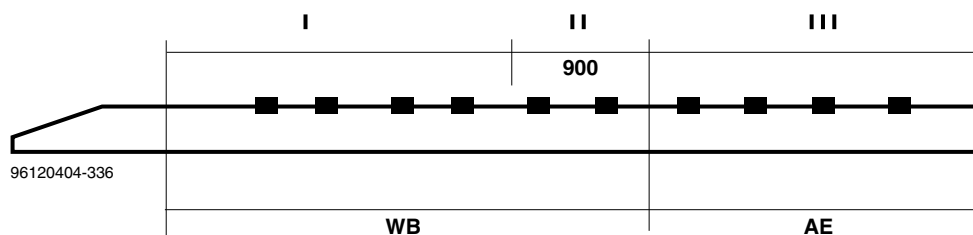
Wheelbase [m]	Rear axle suspension	I (1)	II	III
				
≤ 3.50	Parabolic + air	2	2	2
≤ 3.80	Parabolic + air	2	3	3
≤ 4.20	parabolic + air	3	2	3
≤ 4.50	Parabolic + air	3	3	3
≤ 4.80	Parabolic + air	4	2	3
≤ 5.35	Parabolic + air	5	2	4
≤ 5.90	Parabolic + air	5	2	4
≤ 6.30	Parabolic + air	6	2	4

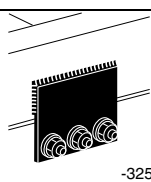
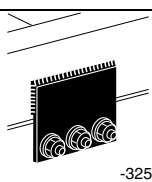
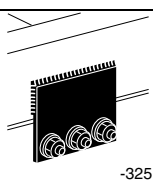
(1) First and second consoles are always spring loaded, see 3.3: "First attachment point"

BODYBUILDERS' GUIDELINES

General information on superstructures

FA LF55 13-15T, BAM 4.

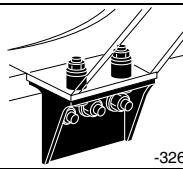
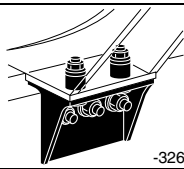
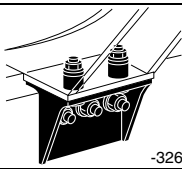


Wheelbase [m]	Rear axle suspension	I	II	III
		 -325	 -325	 -325
≤ 3.50	Parabolic + air	3	1	2
≤ 3.80	Parabolic	3	2	3
≤ 3.80	air	4	1	3
≤ 4.20	Parabolic + air	4	1	3
≤ 4.80	Parabolic + air	5	1	3
≤ 5.90	Parabolic + air	6	1	4
≤ 6.30	Parabolic + air	7	1	4

3

FA LF55 13-15T, BAM 5.



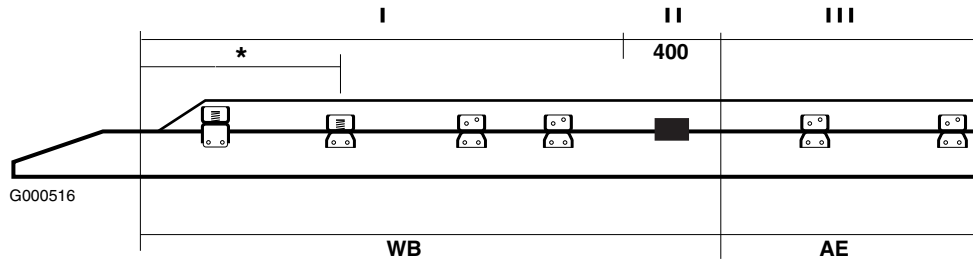
Wheelbase [m]	Rear axle suspension	I	II	III
		 -326	 -326	 -326
All	Parabolic + air	1	1	1

BODYBUILDERS' GUIDELINES


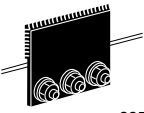

General information on superstructures

3.8 FA LF55 18T

FA LF55 18T, BAM 1.



* See 3.3: "First attachment point".

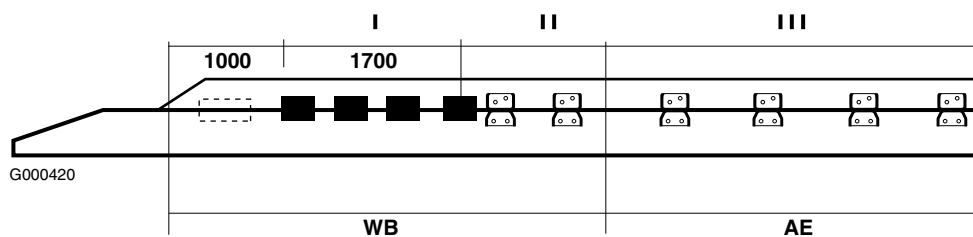
Wheelbase [m]	Rear axle suspension	I (1)	II	III
		 G000426	 -325	 G000426
≤ 3.45	Parabolic + air	3	1	2
≤ 3.75	Parabolic + air	4	1	2
≤ 4.15	Parabolic + air	4	1	3
≤ 4.75	Parabolic + air	5	1	3
≤ 5.80	Parabolic + air	6	1	3
≤ 6.25	Parabolic + air	7	1	4

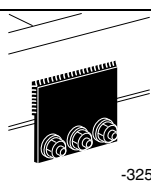
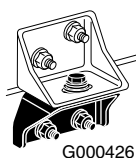
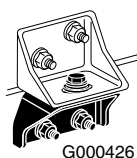
(1) First and second consoles are always spring loaded, see 3.3: "First attachment point"

BODYBUILDERS' GUIDELINES

General information on superstructures

FA LF55 18T, BAM 2.



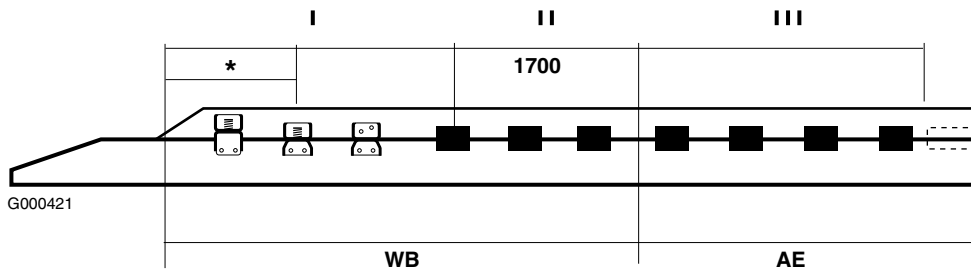
Wheelbase [m]	Rear axle suspension	I	II	III
				
≤ 3.45	Parabolic + air	2	0	2
≤ 3.75	Parabolic + air	2	2	2
≤ 4.15	Parabolic + air	2	2	3
≤ 4.75	Parabolic + air	2	3	3
≤ 5.80	Parabolic + air	2	4	3
≤ 6.25	Parabolic + air	2	5	4

3

BODYBUILDERS' GUIDELINES


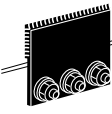
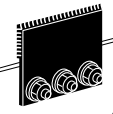
General information on superstructures

FA LF55 18T, BAM 3.



* See 3.3: "First attachment point".

3

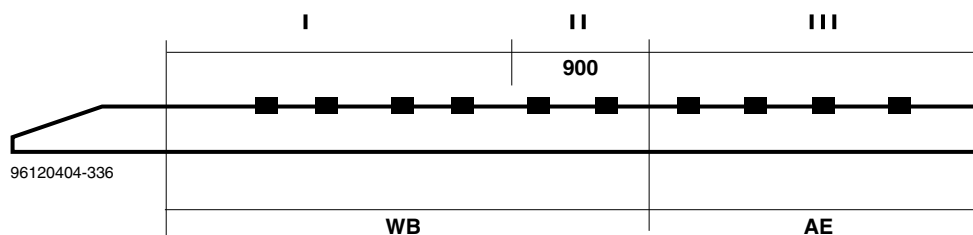
Wheelbase [m]	Rear axle suspension	I (1)	II	III
		 G000426	 -325	 -325
≤ 3.45	Parabolic + air	2	2	2
≤ 3.75	Parabolic + air	2	3	2
≤ 4.15	Parabolic + air	3	2	3
≤ 4.45	Parabolic + air	3	3	3
≤ 4.75	Parabolic + air	4	2	3
≤ 5.85	Parabolic + air	5	2	3
≤ 6.25	Parabolic + air	6	2	4

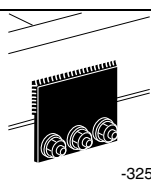
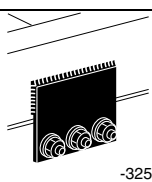
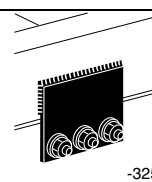
(1) First and second consoles are always spring loaded, see 3.3: "First attachment point"

BODYBUILDERS' GUIDELINES

General information on superstructures

FA LF55 18T, BAM 4.

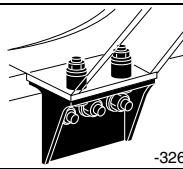
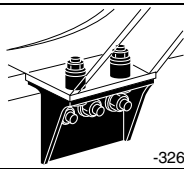
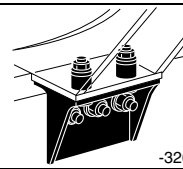


Wheelbase [m]	Rear axle suspension	I	II	III
		 -325	 -325	 -325
≤ 3.45	Parabolic + air	3	1	2
≤ 3.75	Parabolic	3	2	2
≤ 3.75	Air	4	1	2
≤ 4.15	Parabolic + air	4	1	3
≤ 4.75	Parabolic + air	5	1	3
≤ 5.25	Parabolic + air	6	1	3
≤ 5.85	Parabolic + air	7	1	4

3

FA LF55 18T, BAM 5.



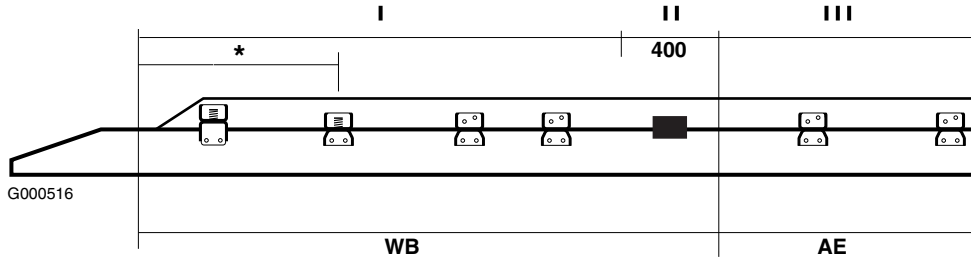
Wheelbase [m]	Rear axle suspension	I	II	III
		 -326	 -326	 -326
All	Parabolic + air	1	1	1

BODYBUILDERS' GUIDELINES


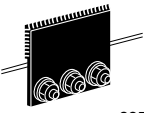

General information on superstructures

3.9 FA CF65

FA CF65, BAM 1.



* See 3.3: "First attachment point".

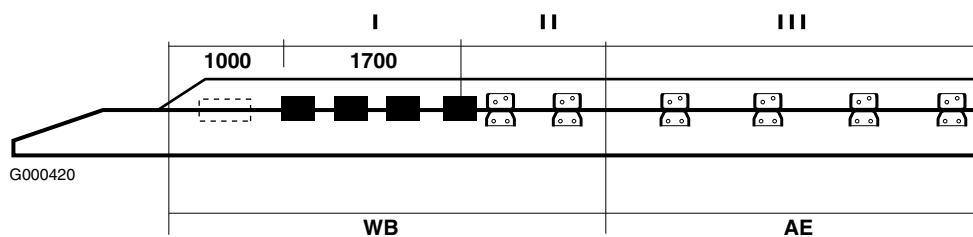
Wheelbase [m]	Rear axle suspension	I (1)	II	III
		 G000426	 -325	 G000426
≤ 4.15	Parabolic + air	4	1	3
≤ 4.90	Parabolic + air	5	1	3
≤ 5.70	Parabolic + air	6	1	3/4
≤ 6.10	Parabolic + air	6	1	4
≤ 6.60	Parabolic + air	7	1	4
≤ 6.90	Parabolic + air	7	1	4/5
≤ 7.30	Parabolic + air	7	1	4

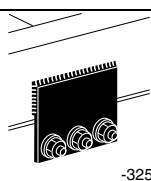
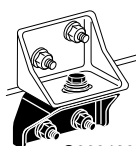
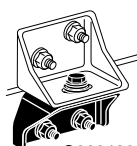
(1) First and second consoles are always spring loaded, see 3.3: "First attachment point"

BODYBUILDERS' GUIDELINES

General information on superstructures

FA CF65, BAM 2.



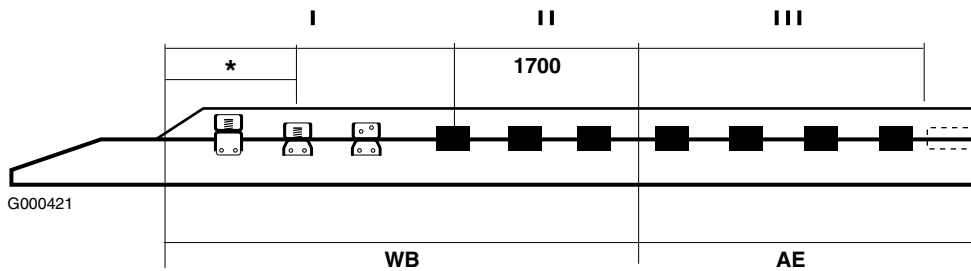
Wheelbase [m]	Rear axle suspension	I	II	III
		 -325	 G000426	 G000426
≤ 4.15	Parabolic + air	2	3	3
≤ 4.90	Parabolic + air	2	4	3
≤ 5.70	Parabolic + air	2	5	3/4
≤ 6.10	Parabolic + air	2	5	4
≤ 6.60	Parabolic + air	2	6	4
≤ 6.90	Parabolic + air	2	6	4/5
≤ 7.30	Parabolic + air	2	6	4

3

BODYBUILDERS' GUIDELINES


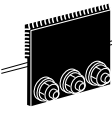
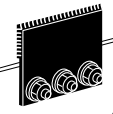
General information on superstructures

FA CF65, BAM 3.



* See 3.3: "First attachment point".

3

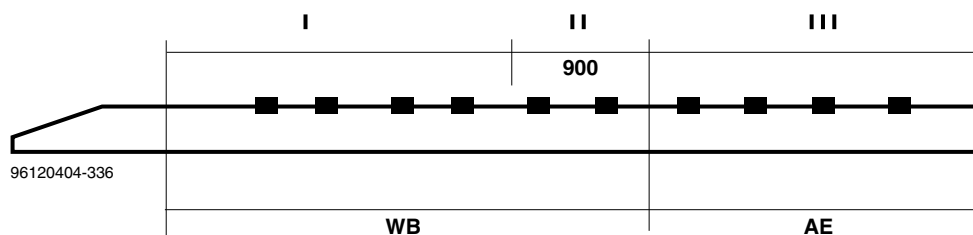
Wheelbase [m]	Rear axle suspension	I (1)	II	III
		 G000426	 -325	 -325
≤ 4.15	Parabolic + air	3	2	3
≤ 4.90	Parabolic + air	4	2	3
≤ 5.70	Parabolic + air	5	2	3/4
≤ 6.10	Parabolic + air	5	2	4
≤ 6.60	Parabolic + air	6	2	4
≤ 6.90	Parabolic + air	6	2	4/5
≤ 7.30	Parabolic + air	6	2	4

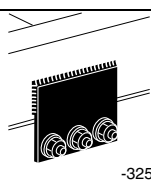
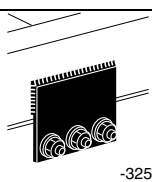
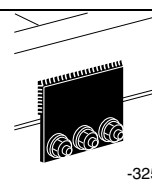
(1) First and second consoles are always spring loaded, see 3.3: "First attachment point"

BODYBUILDERS' GUIDELINES

General information on superstructures

FA CF65, BAM 4.

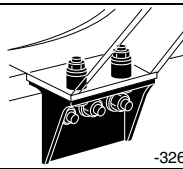
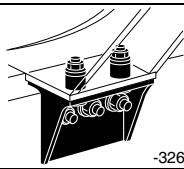
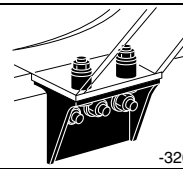


Wheelbase [m]	Rear axle suspension	I	II	III
		 -325	 -325	 -325
≤ 4.15	Parabolic + air	4	1	3
≤ 4.90	Parabolic + air	5	1	3
≤ 5.70	Parabolic + air	6	1	3/4
≤ 6.10	Parabolic + air	6	1	4
≤ 6.60	Parabolic + air	7	1	4
≤ 6.90	Parabolic + air	7	1	4/5
≤ 7.30	Parabolic + air	7	1	4

3

FA CF65, BAM 5.



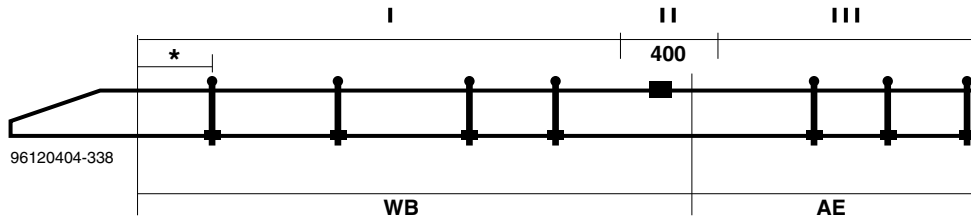
Wheelbase [m]	Rear axle suspension	I	II	III
		 -326	 -326	 -326
All	Parabolic + air	1	2	1

BODYBUILDERS' GUIDELINES

General information on superstructures

3.10 FA CF AND XF

FA CF75-85 and XF, BAM1.

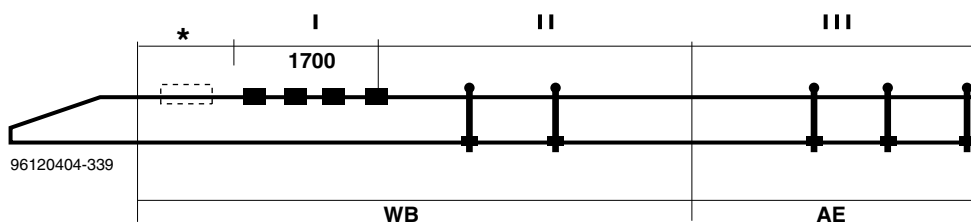


* See 3.3: "First attachment point".

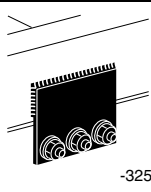
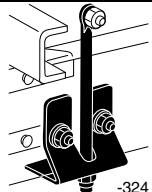
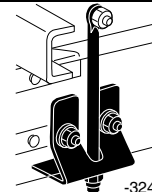
Wheelbase [m]	Rear axle suspension	I	II	III
≤ 3.80	Parabolic	4	1	2
≤ 4.90	Parabolic + air	5	1	2
≤ 6.10	Parabolic + air	6	1	2/3
≤ 6.90	Parabolic + air	6 / 7	1	4
≤ 7.50	Parabolic + air	7	1	4

3

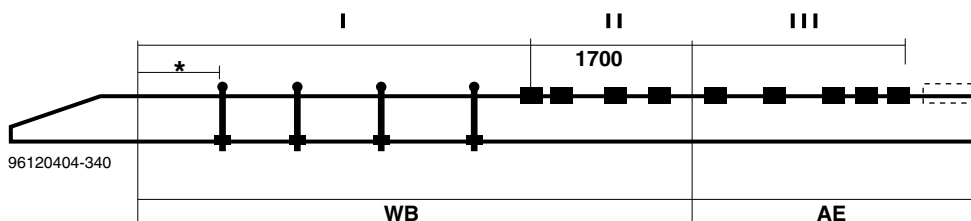
FA CF75-85 and XF, BAM2.



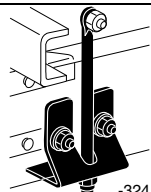
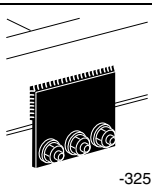
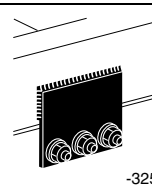
* See 3.3: "First attachment point".

Wheelbase [m]	Rear axle suspension	I	II	III
				
≤ 4.50	Parabolic + air	4	1	2
≤ 5.50	Parabolic + air	4	2	2/3
≤ 6.10	Parabolic + air	4	3	2/3
≤ 6.90	Parabolic + air	4 / 5	4	4
≤ 7.50	Parabolic + air	5	4	4

FA CF75-85 and XF, BAM 3a.



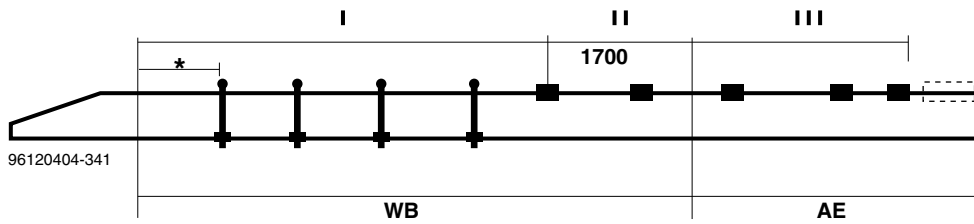
* See 3.3: "First attachment point".

Wheelbase [m]	Rear axle suspension	I	II	III
				
≤ 4.20	Parabolic + air	3	3	4
≤ 4.90	Parabolic + air	3	4	4
≤ 6.90	Parabolic + air	4	4	5
≤ 7.50	Parabolic + air	4	4	5

BODYBUILDERS' GUIDELINES

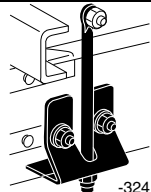
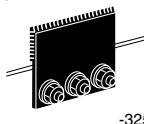
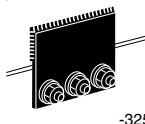
General information on superstructures

FA CF75-85 and XF, BAM 3b.

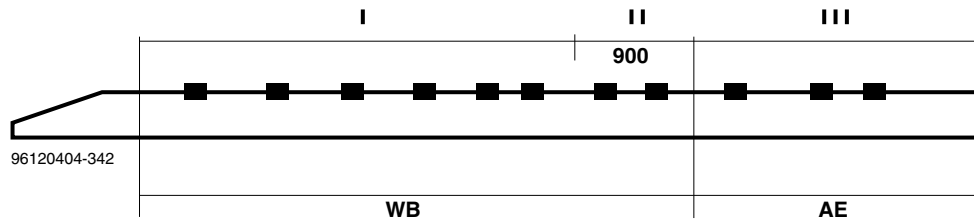


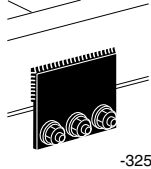
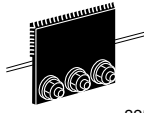
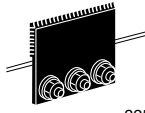
* See 3.3: "First attachment point".

3

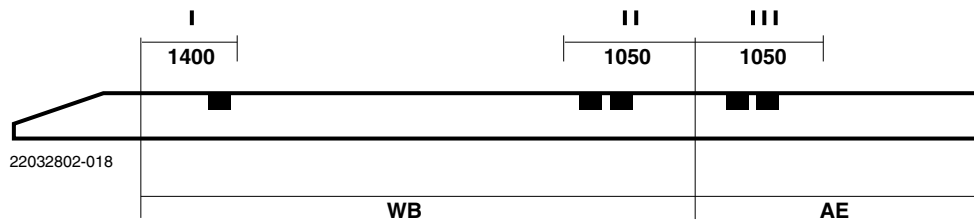
Wheelbase [m]	Rear axle suspension	I	II	III
				
≤ 4.20	Parabolic + air	3	1	2
≤ 4.90	Parabolic + air	3	2	2
≤ 6.90	Parabolic + air	4	2	3
≤ 7.50	Parabolic + air	4	2	4

FA CF75-85 and XF, BAM 4.



Wheelbase [m]	Rear axle suspension	I	II	III
				
≤ 4.20	Parabolic + air	6	1	3
≤ 4.90	Parabolic + air	6	1	3
≤ 6.10	Parabolic + air	6	1	3
≤ 6.90	Parabolic + air	6	1	4
≤ 7.50	Parabolic + air	6	1	4

FA CF75-85 and XF, BAM 5.

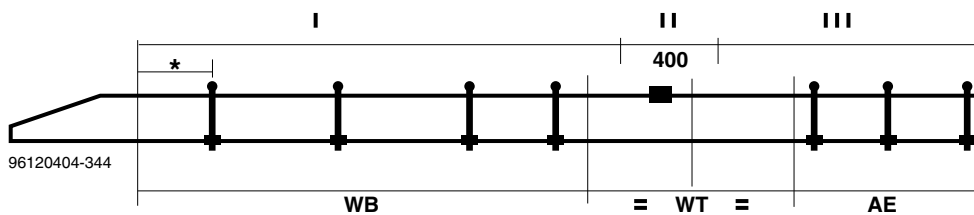


Wheelbase [m]	Rear axle suspension	I	II	III
All	Parabolic + air	1	2	1

3

3.11 FAR/FAS CF AND XF

FAR/FAS CF75-85 and XF, BAM 1.



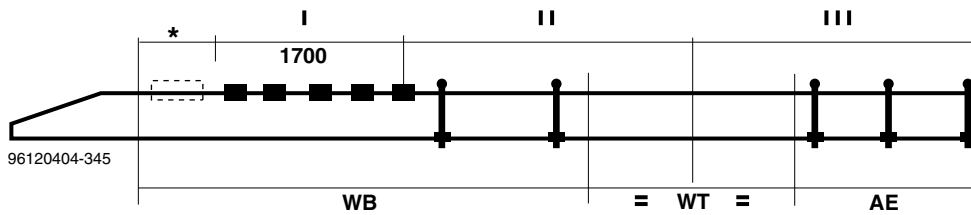
* See 3.3: "First attachment point".

Wheelbase [m]	Rear axle suspension	I	II	III
≤ 3.80	Parabolic + air	3	1	2/3
≤ 4.80	Parabolic + air	5	1	3
≤ 5.30	Parabolic + air	6	1	4
≤ 6.10	Parabolic + air	7	1	4

BODYBUILDERS' GUIDELINES

General information on superstructures

FAR/FAS CF75-85 and XF, BAM 2.

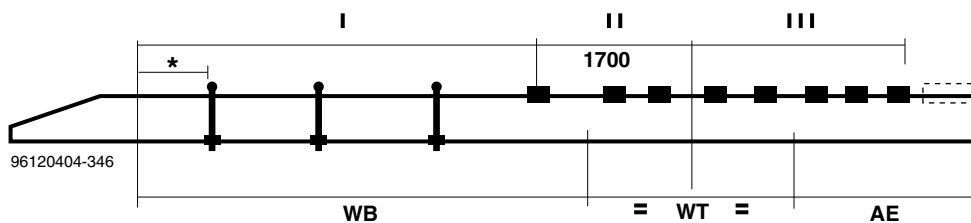


* See 3.3: "First attachment point".

3

Wheelbase [m]	Rear axle suspension	I	II	III
≤ 3.80	Parabolic + air	5	1	2/3
≤ 4.80	Parabolic + air	5	3	3
≤ 5.30	Parabolic + air	5	3	4
≤ 6.10	Parabolic + air	5	4	4

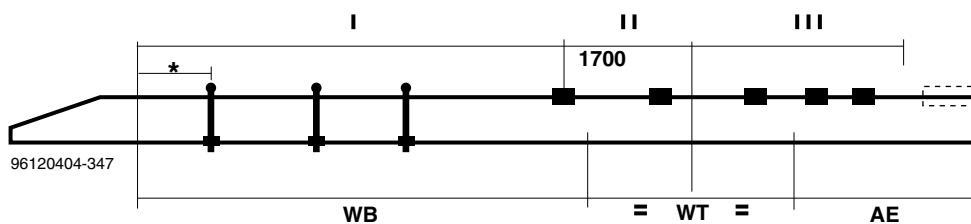
FAR/FAS CF75-85 and XF, BAM 3a.



* See 3.3: "First attachment point".

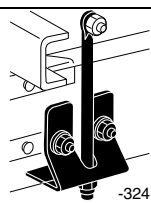
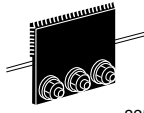
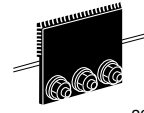
Wheelbase [m]	Rear axle suspension	I	II	III
≤ 3.80	Parabolic + air	2	5	3
≤ 4.80	Parabolic + air	4	5	4
≤ 5.30	Parabolic + air	4	5	4
≤ 6.10	Parabolic + air	5	5	4

FAR/FAS CF75-85 and XF, BAM 3b.

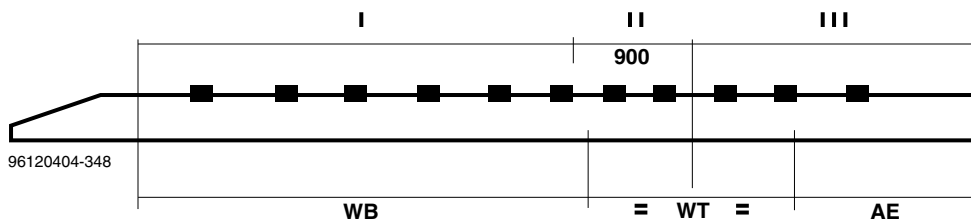


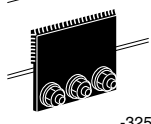
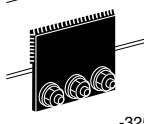
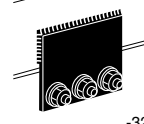
* See 3.3: "First attachment point".

3

Wheelbase [m]	Rear axle suspension	I	II	III
				
≤ 3.80	Parabolic + air	2	2	2
≤ 4.80	Parabolic + air	4	2	2
≤ 5.30	Parabolic + air	4	2	3
≤ 6.10	Parabolic + air	5	2	3

FAR/FAS CF75-85 and XF, BAM 4.

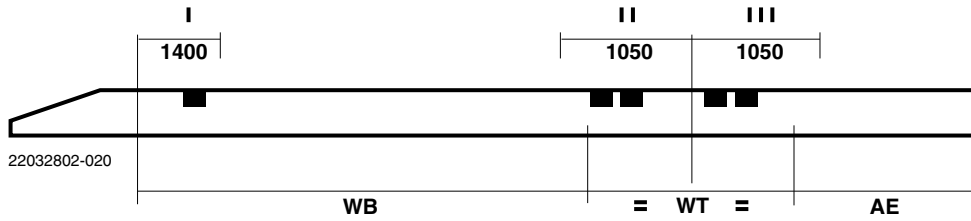


Wheelbase [m]	Rear axle suspension	I	II	III
				
≤ 3.80	Parabolic + air	6	3	3
≤ 4.80	Parabolic + air	7	3	4
≤ 5.30	Parabolic + air	8	3	4
≤ 6.10	Parabolic + air	9	3	4

BODYBUILDERS' GUIDELINES

General information on superstructures

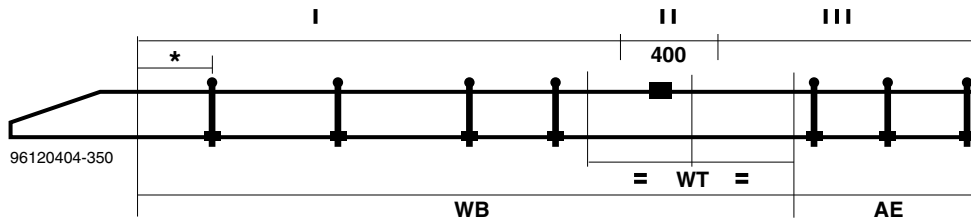
FAR/FAS CF75-85 and XF, BAM 5.



Wheelbase [m]	Rear axle suspension	I	II	III
All	Parabolic + air	1	2	2

3.12 FAG CF

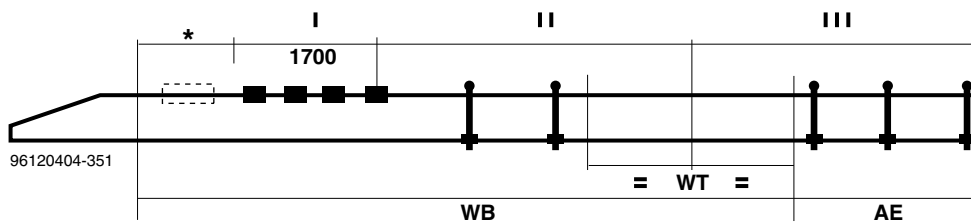
FAG CF75-85, BAM 1.



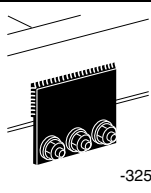
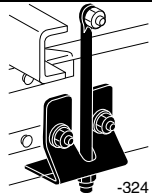
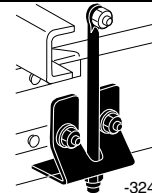
* See 3.3: "First attachment point".

Wheelbase [m]	Rear axle suspension	I	II	III
≤ 4.80	Parabolic + air	4	1	1/2
≤ 5.35	Parabolic + air	5	1	3
≤ 5.90	Parabolic + air	6	1	3
≤ 6.60	Parabolic + air	6	1	3

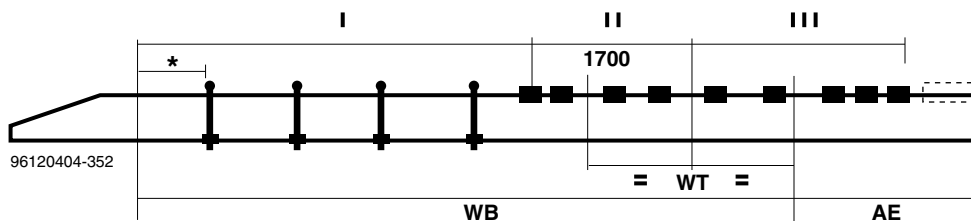
FAG CF75-85, BAM 2.



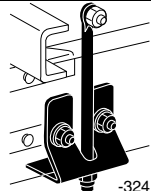
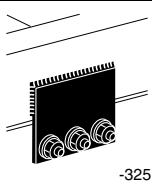
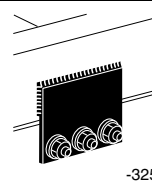
* See 3.3: "First attachment point".

Wheelbase [m]	Rear axle suspension	I	II	III
				
≤ 4.80	Parabolic + air	4	2	2
≤ 5.35	Parabolic + air	4	3	3
≤ 5.90	Parabolic + air	4	3	3
≤ 6.60	Parabolic + air	4	4	3

FAG CF75-85, BAM 3a.



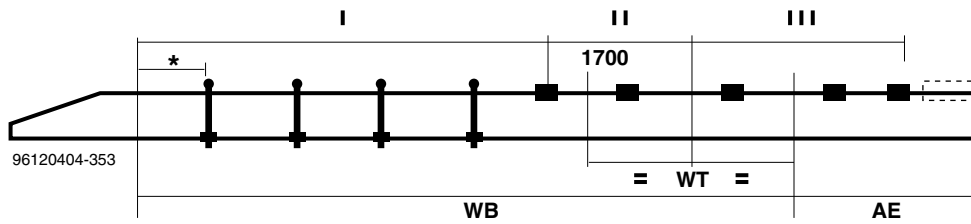
* See 3.3: "First attachment point".

Wheelbase [m]	Rear axle suspension	I	II	III
				
≤ 4.80	Parabolic + air	3	4	4
≤ 5.35	Parabolic + air	4	4	4
≤ 5.90	Parabolic + air	5	4	4
≤ 6.60	Parabolic + air	5	4	5

BODYBUILDERS' GUIDELINES

General information on superstructures

FAG CF75-85, BAM 3b.

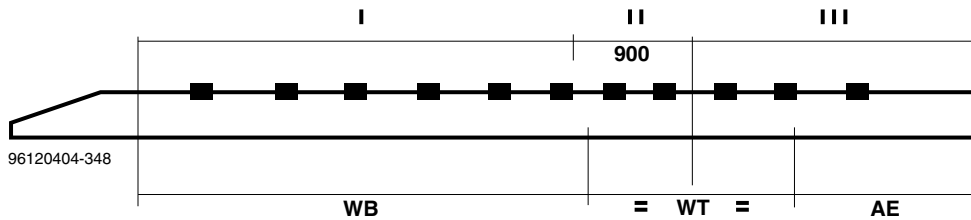


* See 3.3: "First attachment point".

3

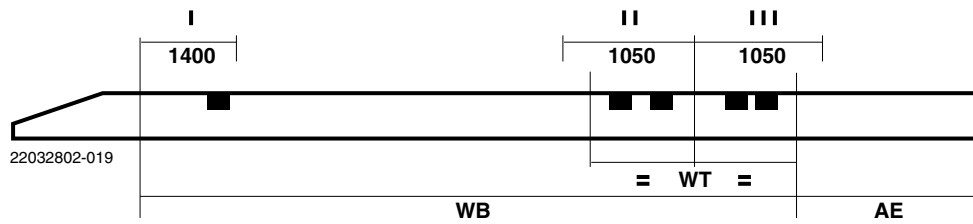
Wheelbase [m]	Rear axle suspension	I	II	III
≤ 4.80	Parabolic + air	3	2	2
≤ 5.35	Parabolic + air	4	2	2
≤ 5.90	Parabolic + air	5	2	2
≤ 6.60	Parabolic + air	5	3	3

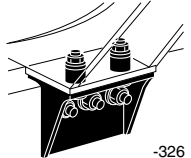
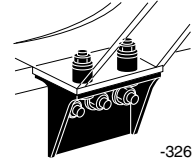
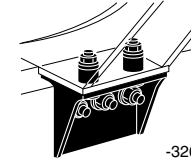
FAG CF75-85, BAM 4.



Wheelbase [m]	Rear axle suspension	I	II	III
≤ 4.80	Parabolic + air	5	4	3
≤ 5.35	Parabolic + air	6	4	4
≤ 5.90	Parabolic + air	7	4	4
≤ 6.60	Parabolic + air	8	4	4

FAG CF75-85, BAM 5.

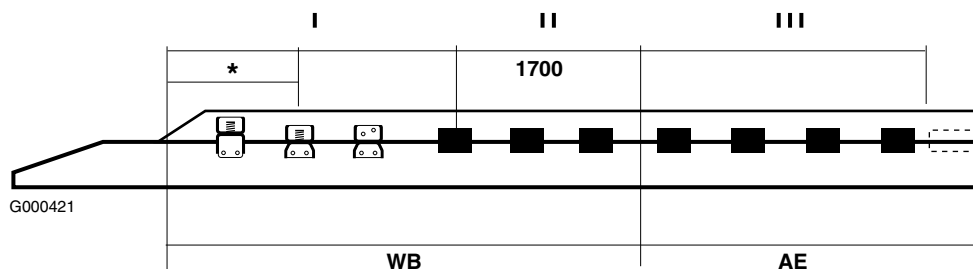


Wheelbase [m]	Rear axle suspension	I	II	III
		 -326	 -326	 -326
All	Parabolic + air	1	2	2

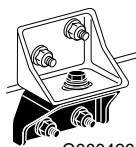
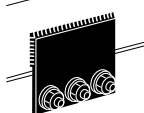
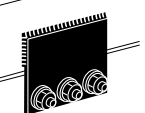
3

3.13 FAN LF

FAN LF55, BAM1.



* See 3.3: "First attachment point".

Wheelbase [m]	Rear axle suspension	I (1)	II	III
		 G000426	 -325	 -325
≤ 4.20	air	4	1	4
≤ 4.50	air	5	1	4
≤ 4.80	air	5	1	5
≤ 5.30	air	6	1	5

(1) First and second consoles are always spring loaded, see 3.3: "First attachment point"

BODYBUILDERS' GUIDELINES

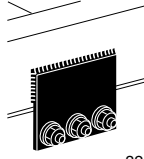
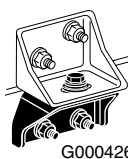
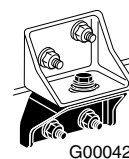
General information on superstructures

FAN LF55, BAM 2.



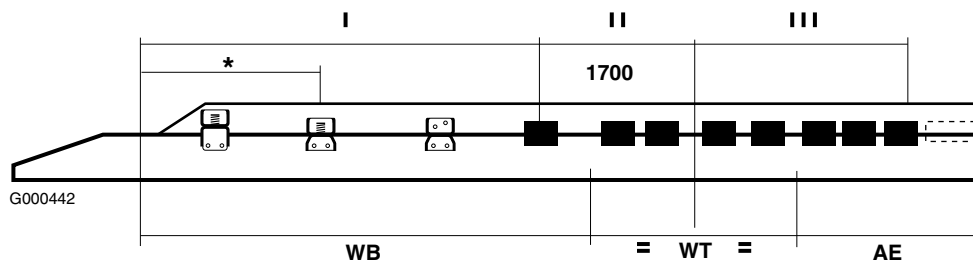
* See 3.3: "First attachment point".

3


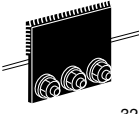
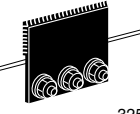
Wheelbase [m]	Rear axle suspension	I (1)	II	III
				
≤ 4.20	air	2	2	4
≤ 4.50	air	2	3	4
≤ 4.80	air	2	3	5
≤ 5.30	air	2	4	5

(1) first and second consoles are always spring loaded, see 3.3: "First attachment point"

FAN LF55, BAM 3.

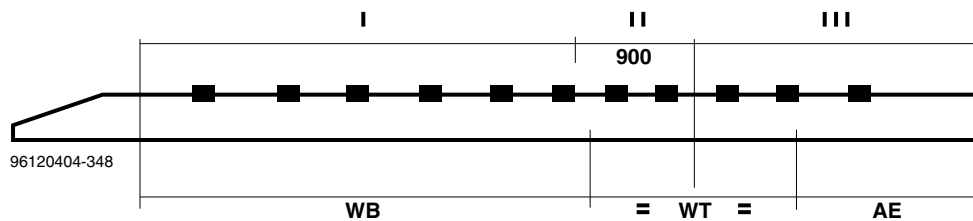


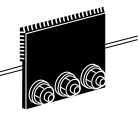
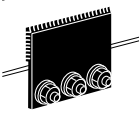
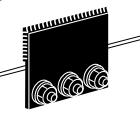
* See 3.3: "First attachment point".

Wheelbase [m]	Rear axle suspension	I (1)	II	III
				
≤ 3.80	air	2	3	4
≤ 4.20	air	3	2	4
≤ 4.50	air	3	3	4
≤ 4.80	air	4	2	5
≤ 5.35	air	5	2	5

(1) First and second consoles are always spring loaded, see 3.3: "First attachment point"

FAN LF55, BAM 4.

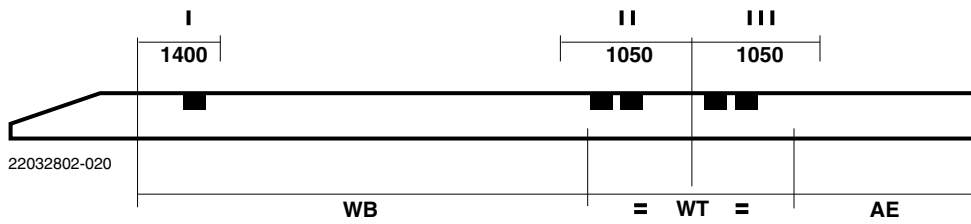


Wheelbase [m]	Rear axle suspension	I	II	III
				
≤ 4.20	air	4	1	4
≤ 4.50	air	5	1	4
≤ 4.80	air	5	1	5
≤ 5.30	air	6	1	5

BODYBUILDERS' GUIDELINES

General information on superstructures

FAN LF55, BAM 5.

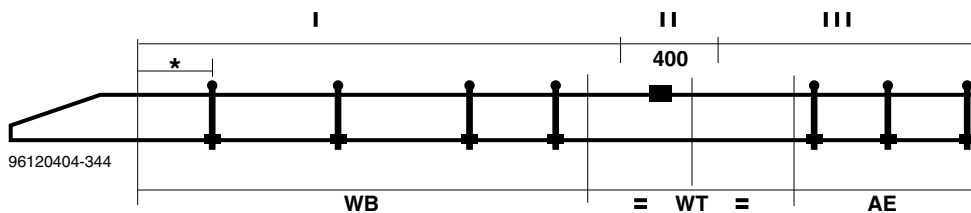


3

Wheelbase [m]	Rear axle suspension	I	II	III
All	air	1	2	2

3.14 FAN CF AND XF

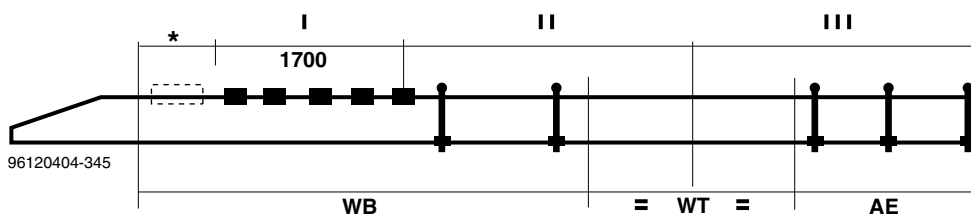
FAN CF75-85 and XF, BAM1.



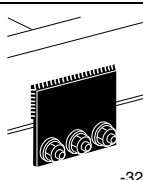
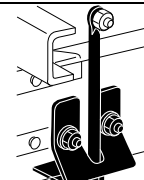
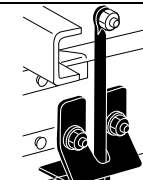
* See 3.3: "First attachment point".

Wheelbase [m]	Rear axle suspension	I	II	III
≤ 4.20	air	4	1	3
≤ 4.40	air	4	1	3
≤ 4.80	air	5	1	3
≤ 6.10	air	7	1	4
≤ 6.65	air	8	1	4

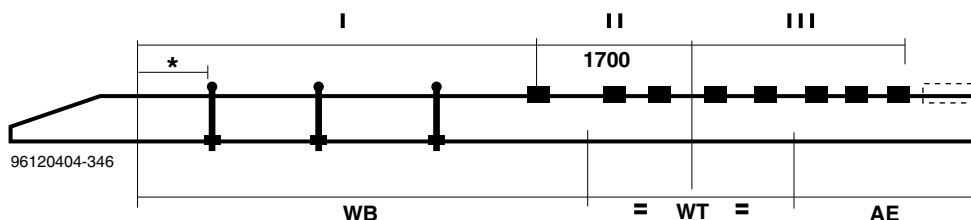
FAN CF75-85 and XF, BAM 2.



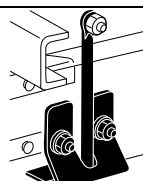
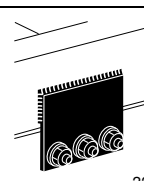
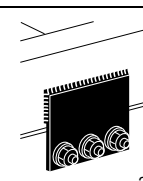
* See 3.3: "First attachment point".

Wheelbase [m]	Rear axle suspension	I	II	III
		 -325	 -324	 -324
≤ 4.20	air	5	2	3
≤ 4.40	air	5	3	3
≤ 4.80	air	5	3	3
≤ 6.10	air	5	4	4
≤ 6.65	air	5	5	4

FAN CF75-85 and XF, BAM 3a.



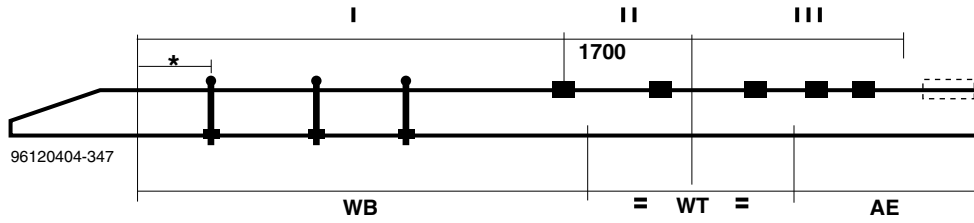
* See 3.3: "First attachment point".

Wheelbase [m]	Rear axle suspension	I	II	III
		 -324	 -325	 -325
≤ 4.20	air	3	4	3
≤ 4.40	air	3	4	3
≤ 4.80	air	4	4	4
≤ 6.10	air	5	4	4
≤ 6.65	air	6	4	5

BODYBUILDERS' GUIDELINES

General information on superstructures

FAN CF75-85 and XF, BAM 3b.

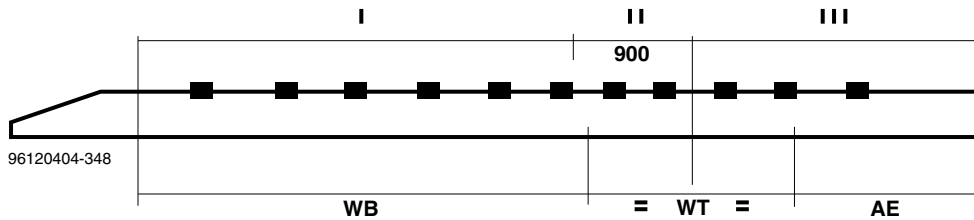


* See 3.3: "First attachment point".

3

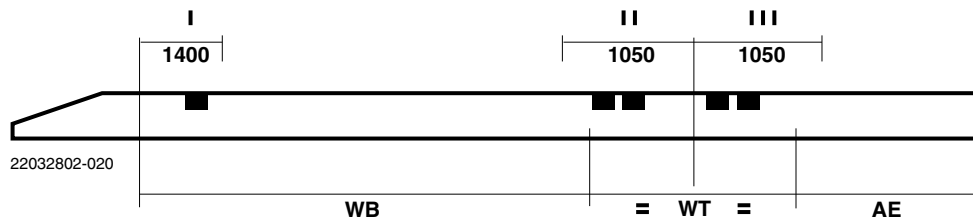
Wheelbase [m]	Rear axle suspension	I	II	III
≤ 4.20	air	3	2	2
≤ 4.40	air	3	2	2
≤ 4.80	air	4	2	2
≤ 6.10	air	5	2	2
≤ 6.65	air	6	2	3

FAN CF75-85 and XF, BAM 4.



Wheelbase [m]	Rear axle suspension	I	II	III
≤ 4.20	air	6	3	2
≤ 4.40	air	6/7	3	3
≤ 4.80	air	7	3	4
≤ 6.10	air	8	3	4
≤ 6.65	air	8	3	4

FAN CF75-85 and XF, BAM 5.

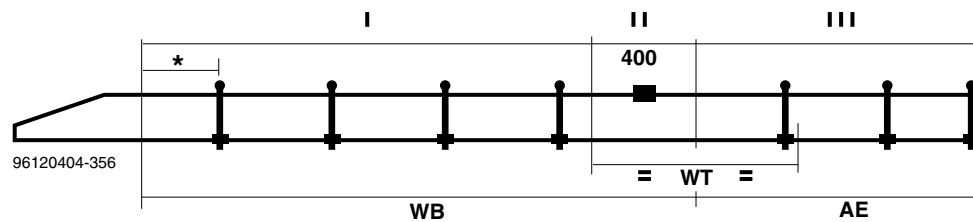


Wheelbase [m]	Rear axle suspension	I	II	III
All	air	1	2	2

3

3.15 FAT CF AND XF

FAT CF75-85 and XF, BAM 1.



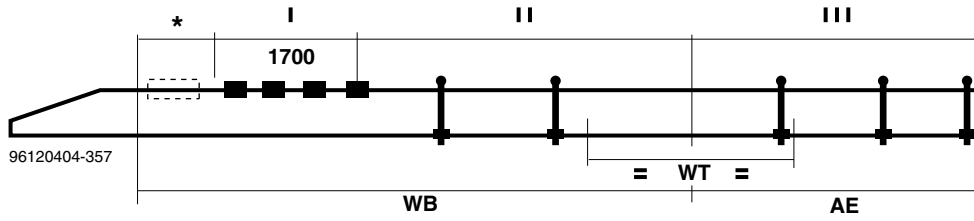
* See 3.3: "First attachment point".

Wheelbase [m]	Rear axle suspension	I	II	III
≤ 4.05	Leaf + air	4	1	3
≤ 4.55	Leaf + air	4	1	3
≤ 5.00	Leaf + air	5	1	3
≤ 5.55	Leaf + air	6	1	3

BODYBUILDERS' GUIDELINES

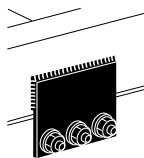
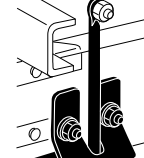
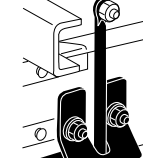
General information on superstructures

FAT CF75-85 and XF, BAM 2.

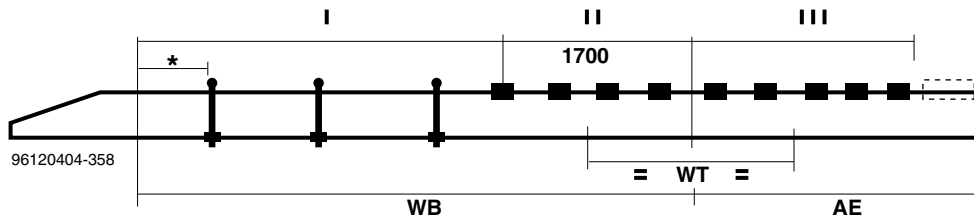


* See 3.3: "First attachment point".

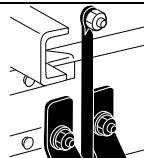
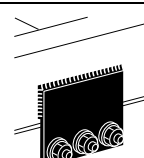
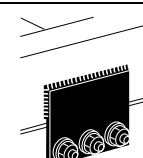
3

Wheelbase [m]	Rear axle suspension	I	II	III
				
≤ 4.05	Leaf + air	5	1	3
≤ 4.55	Leaf + air	5	1	3
≤ 5.00	Leaf + air	5	2	3
≤ 5.55	Leaf + air	5	2	3

FAT CF75-85 and XF, BAM 3a.



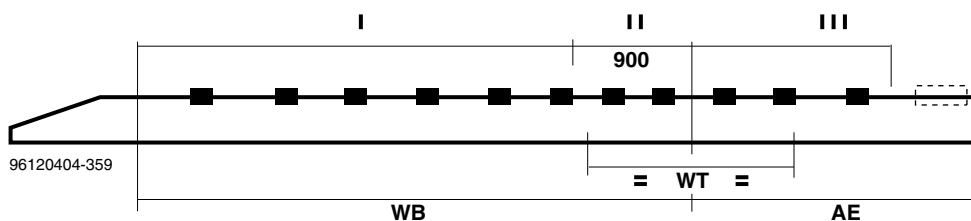
* See 3.3: "First attachment point".

Wheelbase [m]	Rear axle suspension	I	II	III
				
≤ 4.05	Leaf + air	3	5	4
≤ 4.55	Leaf + air	3	5	4
≤ 5.00	Leaf + air	4	5	4
≤ 5.55	Leaf + air	5	5	4

BODYBUILDERS' GUIDELINES

General information on superstructures

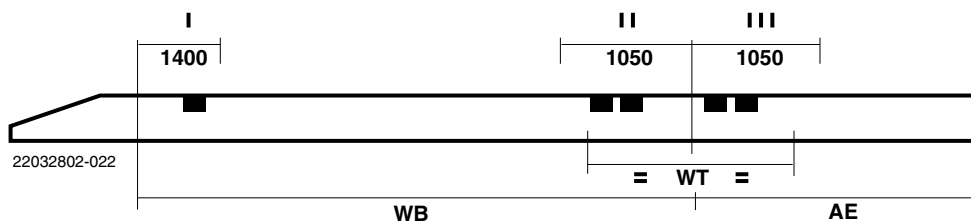
FAT CF75-85 and XF, BAM 4.



Wheelbase [m]	Rear axle suspension	I	II	III
≤ 4.05	Leaf + air	8	3	4
≤ 4.55	Leaf + air	8	3	4
≤ 5.00	Leaf + air	9	3	4
≤ 5.55	Leaf + air	9	3	4

3

FAT CF75-85 and XF, BAM 5.



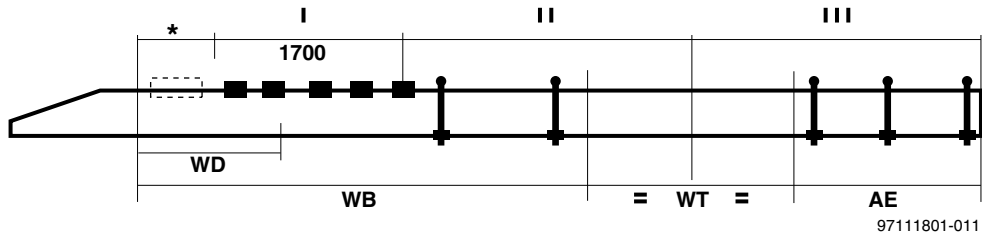
Wheelbase [m]	Rear axle suspension	I	II	III
All	Leaf + air	1	2	2

BODYBUILDERS' GUIDELINES

General information on superstructures

3.16 FAC/FAX CF

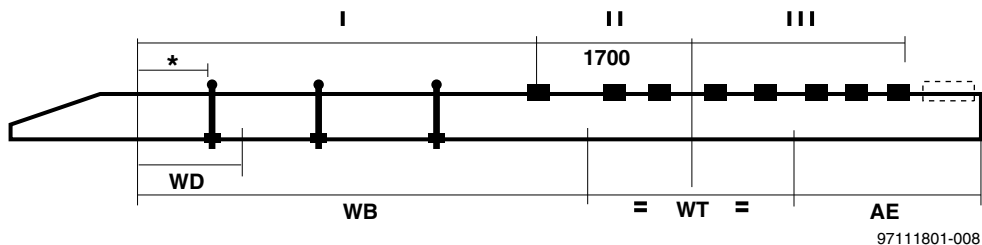
FAC/FAX CF85, BAM 2.



* See 3.3: "First attachment point".

Wheelbase [m]	Rear axle suspension	I	II	III
≤ 5.00	Parabolic + air	5	2	2
≤ 5.70	Parabolic + air	5	3	3
≤ 6.40	Parabolic + air	5	3	4

FAC/FAX CF85, BAM 3a.



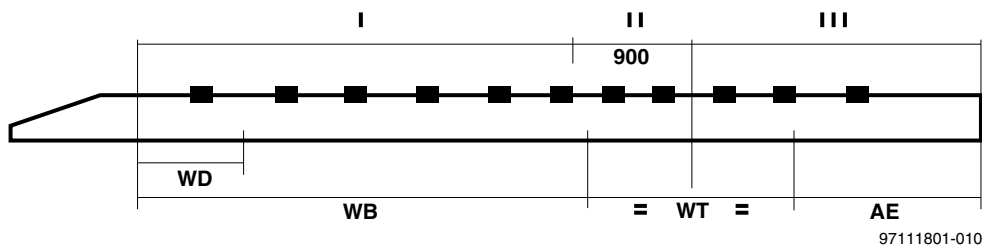
* See 3.3: "First attachment point".

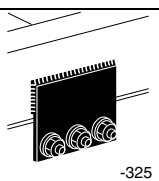
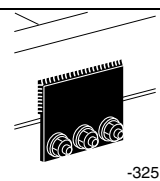
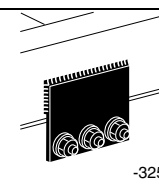
Wheelbase [m]	Rear axle suspension	I	II	III
≤ 5.00	Parabolic + air	3	5	4/5
≤ 5.70	Parabolic + air	4	6	4/5
≤ 6.40	Parabolic + air	5	7	5

BODYBUILDERS' GUIDELINES

General information on superstructures

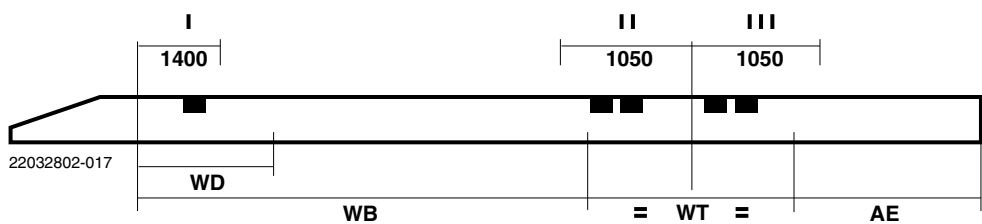
FAC/FAX CF85, BAM 4.

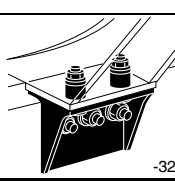
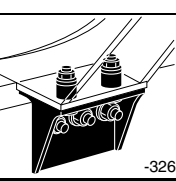
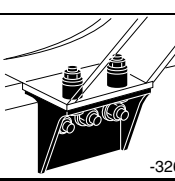


Wheelbase [m]	Rear axle suspension	I	II	III
				
≤ 5.00	Parabolic + air	7	3	4/5
≤ 5.70	Parabolic + air	8	3	4/5
≤ 6.40	Parabolic + air	9	3	5

3

FAC/FAX CF 85, BAM 5.



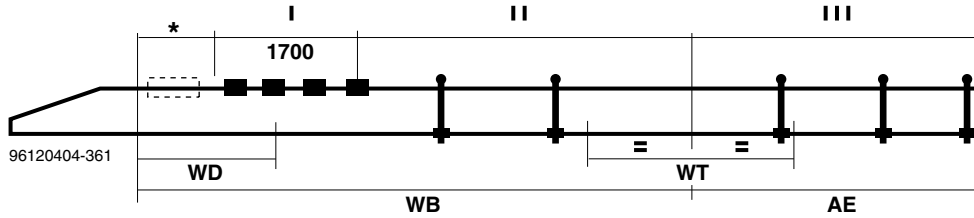
Wheelbase [m]	Rear axle suspension	I	II	III
				
All	Parabolic + air	2	2	2

BODYBUILDERS' GUIDELINES

General information on superstructures

3.17 FAD CF AND XF

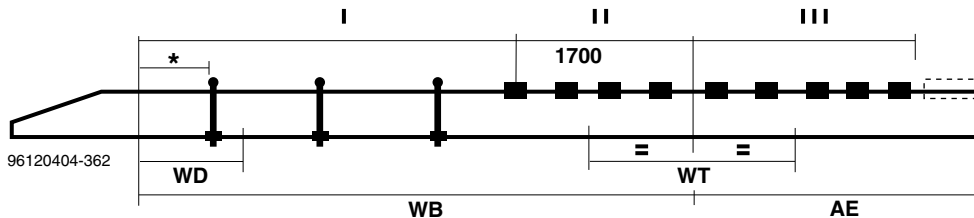
FAD CF75 - 85 and XF, BAM 2.



* See 3.3: "First attachment point".

Wheelbase [m]	Rear axle suspension	I	II	III
≤ 5.05	Leaf + air	5	2	2
≤ 5.70	Leaf + air	5	3	2/3
≤ 7.10	Leaf + air	5	4	4

FAD CF75 - 85 and XF, BAM 3a.



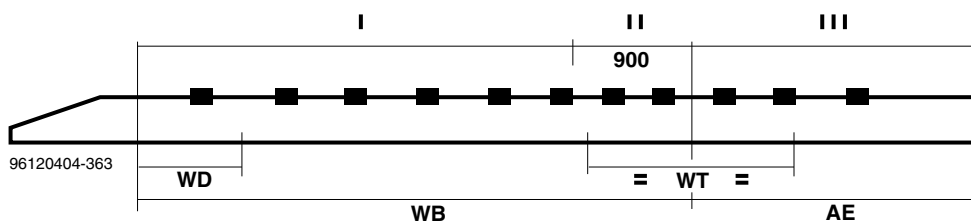
* See 3.3: "First attachment point".

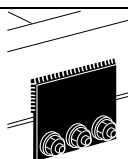
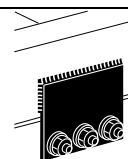
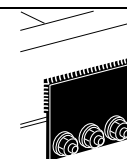
Wheelbase [m]	Rear axle suspension	I	II	III
≤ 5.05	Leaf + air	4	6	4/5
≤ 5.70	Leaf + air	5	6	4/5
≤ 7.10	Leaf + air	5	7	5

BODYBUILDERS' GUIDELINES

General information on superstructures

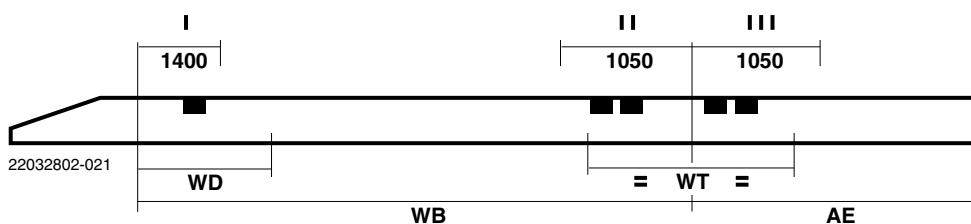
FAD CF75 - 85 and XF, BAM 4.

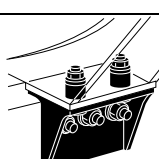
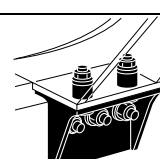
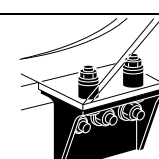


Wheelbase [m]	Rear axle suspension	I	II	III
				
≤ 5.05	Leaf + air	8	2	4
≤ 5.70	Leaf + air	9	2	4
≤ 7.10	Leaf + air	9	2	4

3

FAD CF75 - 85 and XF, BAM 5.



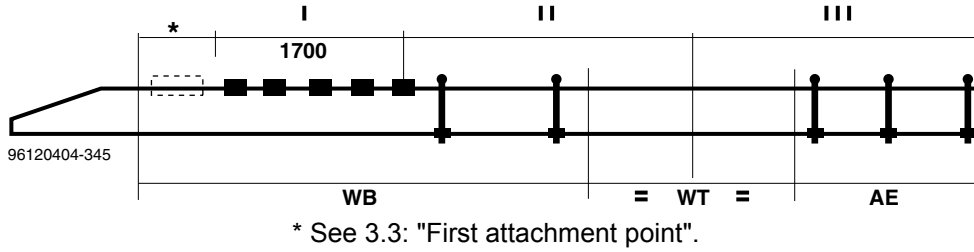
Wheelbase [m]	Rear axle suspension	I	II	III
				
All	Leaf + air	2	2	2

BODYBUILDERS' GUIDELINES

General information on superstructures

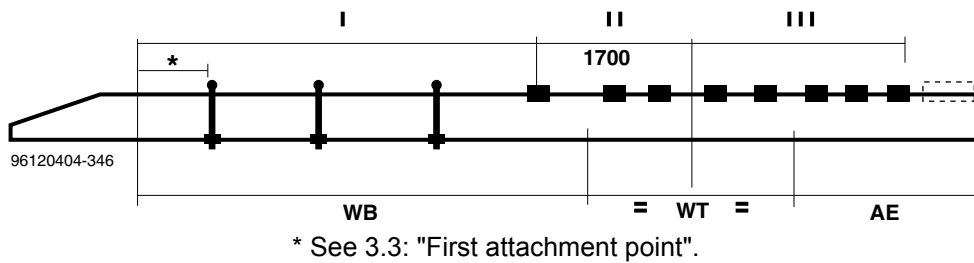
3.18 FAK XF

FAK XF, BAM 2.



Wheelbase [m]	Rear axle suspension	I	II	III
≤ 4.70	Air	5	2	2
≤ 5.30	Air	5	3	2

FAK XF, BAM 3a.

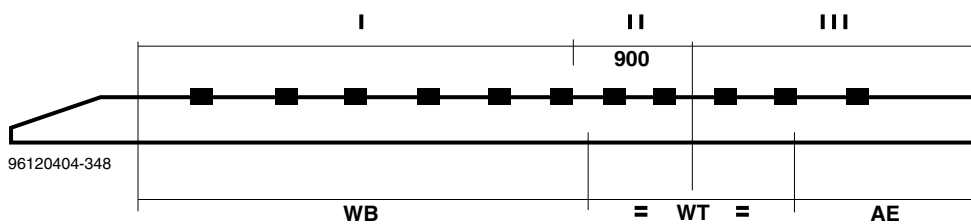


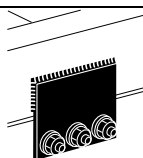
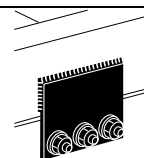
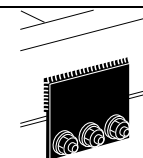
Wheelbase [m]	Rear axle suspension	I	II	III
≤ 4.70	Air	4	6	4/5
≤ 5.30	Air	5	6	4/5

BODYBUILDERS' GUIDELINES

General information on superstructures

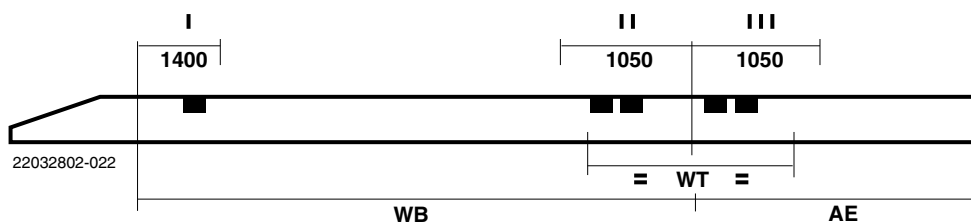
FAK XF, BAM 4.

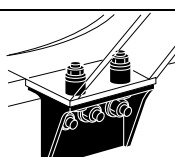
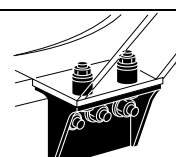
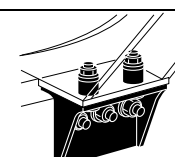


Wheelbase [m]	Rear axle suspension	I	II	III
				
≤ 4.70	Air	9	3	4
≤ 5.30	Air	10	3	4

3

FAK XF, BAM 5.



Wheelbase [m]	Rear axle suspension	I	II	III
				
All	Air	2	2	2

BODYBUILDERS' GUIDELINES

General information on superstructures

3

SUPERSTRUCTURES

	Page	Date
4.1 Fixed body	107	200849
4.2 Body with tail lift	109	200849
4.3 Vehicle loading cranes	111	200849
4.4 Tipper bodies	116	200849
4.5 Tankers	121	200849
4.6 Concrete mixers and concrete pumps	126	200849
4.7 Public utility vehicles	127	200849
4.8 Fifth wheel	130	200849

BODYBUILDERS' GUIDELINES

Superstructures

4

4. SUPERSTRUCTURES

4.1 FIXED BODY

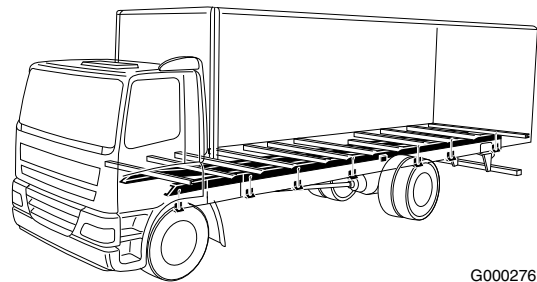
For all the superstructures described in this section, also see section 3: "General information on superstructures".

Body attachment method **BAM 1** is generally sufficient for the mounting of a **fixed body or demountable body with sub-frame**.

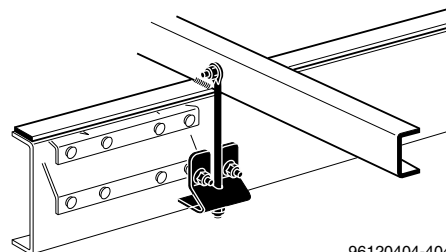
The tie rods must be attached to the chassis side members, if possible near or against the cross members. At least one attachment plate must always be fitted between the front and rear spring brackets of the rear axle(s).

A sub-frame is not necessary but can be fitted, in order to obtain the required wheel clearance. Also see the sections 2.10: "Chassis dimensions" and 2.14: "Wheel clearance".

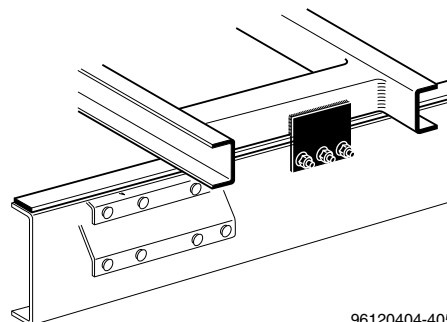
Minimum requirement is the fitting on the chassis of a strip or angle brace, to which the cross members of the body can be welded. For the mounting of box bodies **without a sub-frame** DAF recommends the fitting of a number of extra cross members in the floor of the body above or as close as possible to the vehicle axles. As a result of chassis flexing, additional pulling and pushing forces are exerted on the floor of the body. However, the bodybuilder remains at all times responsible for the soundness of a construction and the strength of the self-supporting bodywork.



Fixed body with sub-frame, BAM 1



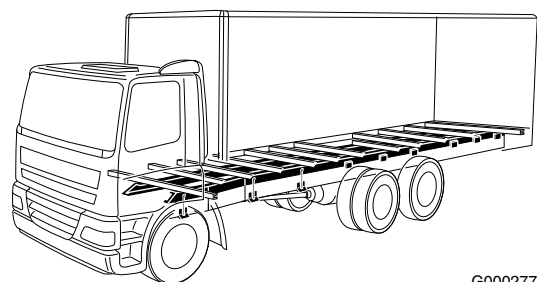
Tie rod mounting, body without sub-frame (with mounting strip)



Attachment plate, body without sub-frame (with mounting strip)

(High-)volume body

For (high-)volume applications DAF has various 'Low-Deck' rigid truck chassis in its range with a low frame (260 mm with continuous inner reinforcement flitches). If required, some of these vehicles - for instance, FA/S/R Low-Deck - can be specified with lower suspension, in combination with speed-dependent height control and tyre compression compensation. These chassis require additional strength and/or stiffness of the superstructure.



Fixed volume body with a sub-frame, BAM 3a

BODYBUILDERS' GUIDELINES

Superstructures

A (semi-)self-supporting fixed or demountable body, with or without a sub-frame, can be mounted on these chassis. The superstructure should be attached in accordance with body attachment method BAM 1 or BAM 3a. The choice is determined by the moment of inertia of the sub-frame or the floor of the fixed body. The same applies to the minimum required moment of inertia of the floor of demountable bodies. For sub frame dimensions see table.

Attachment according to BAM 1

Min. required body/sub-frame dimensions for chassis with 260 mm high side members with continuous inner reinforcement flitches				
Wheelbase [m]	Chassis rear overhang (AE) [m]	Side member section (A)	Sub frame profile dimensions; st52 [mm]	
			FA (4x2)	FAR/S (6x2)
WB ≤ 5.00	AE ≤ 0.6 x WB	260x75x7 + 245x65x5	-	U 200x70x7
WB ≤ 5.40 ⁽¹⁾	AE ≤ 0.5 x WB	260x75x6 + 246x60x5	U 100x60x6	not applicable
WB ≤ 5.90	AE ≤ 0.6 x WB	260x75x7 + 245x65x5	U 80x50x6	U 220x80x8
WB ≤ 7.30 ⁽¹⁾	AE ≤ 0.5 x WB	260x75x6 + 246x60x5	U 180x60x6	not applicable

(1) FA LF45/55 and CF65 chassis. 260 mm high chassis longitudinal with continuous inner reinforcement profile up to first spring hanger bracket of the rear axle.

Attachment according to BAM 3a

Min. required body/sub-frame dimensions for chassis with 260 mm high side members with continuous inner reinforcement flitches				
Wheelbase [m]	Chassis rear overhang (AE) [m]	Side member section (A)	Sub frame profile dimensions; st52 [mm]	
			FA (4x2)	FAR/S (6x2)
WB ≤ 5.00	AE ≤ 0.6 x WB	260x75x7 + 245x65x5	-	U 100x65x6
WB ≤ 5.40 ⁽¹⁾	AE ≤ 0.6 x WB	260x75x6 + 246x60x5	U 80x50x6	not applicable
WB ≤ 5.90	AE ≤ 0.6 x WB	260x75x7 + 245x65x5	U 80x50x6	U 120x60x6
WB ≤ 7.30 ⁽¹⁾	AE ≤ 0.6 x WB	260x75x6 + 246x60x5	U 140x60x6	not applicable

(1) FA LF45/55 and CF65 chassis. 260 mm high chassis longitudinal with continuous inner reinforcement profile up to first spring hanger bracket of the rear axle.

Wheel clearance at the rear

On versions with speed-dependent height control and tyre compression compensation, the minimum clearance required above the tyres of the driven axle has been reduced to 10 mm with the springs bottoming (metal to metal). Also see section 2.14: "Wheel clearance".

Body with twist-locks

When mounting (demountable) bodies **without sub-frame**, with twist-locks, directly to the vehicle chassis, fit the twist-locks to the side of the chassis frame, using at least 6 M16 flange bolts for each of them.

For (self-supporting) demountable bodies which bear evenly on the chassis over its entire length, there are no specific requirements with respect to the position of the twist-locks, and the dimensions given below may be departed from.

The twist-lock bracket should be fitted near a chassis cross member. If this is impossible, you are referred to section 2.6: "Attachment of components to the chassis".

However, if a demountable body is supported at only a few points, the twist-lock positions given below must be adhered to. If the support points are in other positions, e.g. as in the case of ISO containers, DAF should be contacted.

Position of the twist locks:

- A:** 1000 (LF)
- 1400 (CF - XF)

For the mounting of (demountable) bodies **with sub-frame** in which the twist-locks are included, **BAM 1** is specified in most cases (without tail lift).

Make sure that demountable bodies rest on the sub-frame or the chassis members, but in no case directly on the twist-locks!

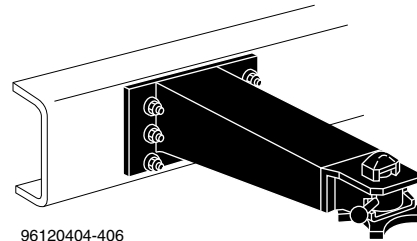
4.2 BODY WITH TAIL LIFT

Body with tail lift

The next table gives the minimum dimensions to be adhered to for sub-frames of bodies with tail lifts **with capacities up to 2000 kg** depending on the type of vehicle, the wheelbase, the chassis dimensions and the rear overhang length. **For tail lifts with a higher capacity than specified in the table, DAF should be contacted.** Tail lifts with a capacity higher than 2500 kg always require the fitting of vehicle support legs to be used during loading and unloading.

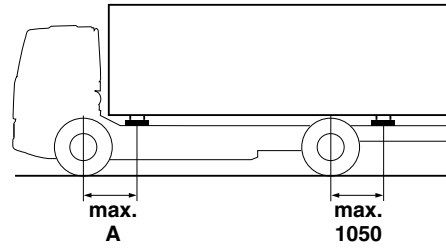
For the mounting of the sub-frame for a superstructure with tail lift, BAM 3b (CF75-85) or BAM3 (LF / CF65) is specified in most cases.

If according to DAF a sub-frame is not required for structural strength or because of deflection (see note ⁵), a sub-frame in accordance with BAM 1 may still be fitted, for example because of the desired wheel clearance.

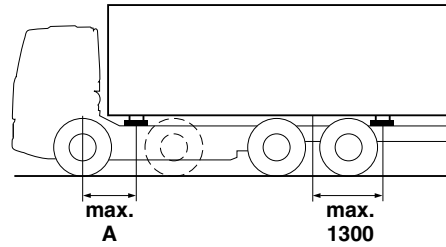


96120404-406

Attachment of twist locks

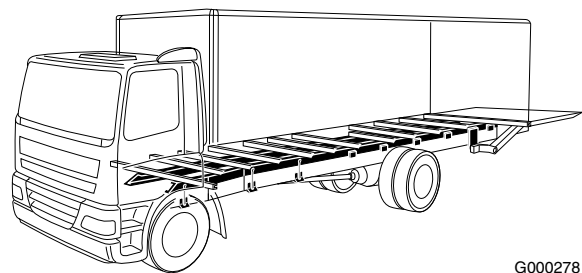


22032802-012



22032802-023

Position of the twist locks



G000278

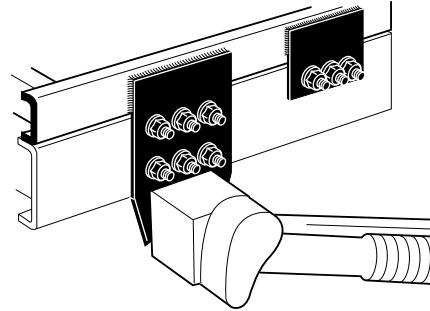
BODYBUILDERS' GUIDELINES

Superstructures

Take note of the effect of the tail lift on the vehicle weight distribution in fully laden and partly laden conditions. If necessary, refer to the **TOPEC** calculations for axle load distribution of the partly laden vehicle.

Attachment of the tail lift

With this type of superstructure, the tail lift attachment can also be used to attach the sub-frame to the chassis. In that case, the tail lift is bolted to the chassis frame and bolted or welded to the sub-frame.



96120404-409

Attachment of the tail lift in accordance with BAM 3b

4

Superstructure with post type tail lift

A post type tail lift must always be fitted to the body. Consult the supplier of the post type tail lift for the correct mounting instructions.

Sub-frame dimensions

The following table gives an overview of the minimum dimensions required for sub-frames.

Minimum sub-frame dimensions for tail lifts with capacities up to 2000 kg ⁽¹⁾				
Vehicle type	WB [m]	Chassis sections in rear overhang	Maximum AE ⁽⁵⁾	Sub-frame ⁽²⁾ sections
FA LF45 ⁽³⁾	≤ 4,30	192x66.5 x4.5	0.50xWB	U 120x60x6
	≤ 5,40			U 140x60x6
FA LF45 ⁽⁴⁾ 12 tonnes GVM	≤ 4,30	192x66.5x4.5+180x62x4		U 120x60x6
	≤ 5,40			U 140x60x6
FA LF55 FA CF65	≤ 4,20	260x75x6		U 80x60x6
	≤ 5,35			U 120x60x6
	≤ 6,30			U 160x60x6
	≤ 7,30			U 180x60x6
FAN LF55	≤ 4,20	260x75x6	0.55xWB	U 180x60x6
	≤ 5,35		U 200x60x6	
FA CF75-85 FA XF	≤ 4,90	260x75x7	0.50xWB	U 160x60x6
		310x75x7		U 80x60x6
	≤ 5,70	260x75x7		U 160x60x6
		310x75x7		U 100x65x6
		260x75x7 + 245x65x5		U 100x65x6
	≤ 6,90	310x75x7		U 120x60x6

Minimum sub-frame dimensions for tail lifts with capacities up to 2000 kg ⁽¹⁾				
Vehicle type	WB [m]	Chassis sections in rear overhang	Maximum AE ⁽⁵⁾	Sub-frame ⁽²⁾ sections
FAG CF75-85	≤ 5,35	310x75x7 + 295x65x5	0.40xWB	U 80x60x6
	≤ 6,60	310x75x7 + 295x65x5		U 140x60x6
FAS/R CF75 FAS/R CF85 FAS/R XF FAN CF75-85 FAN XF	≤ 3,80	260x75x7 + 245x65x5	0.55xWB	U 100x60x6
		310x75x7		U 160x60x6
	≤ 5,50	310x75x7		U 200x60x6
	≤ 4,20	310x75x7 + 295x65x5		U 100x65x6
	≤ 4,80	260x75x7 + 245x65x5		U 180x60x6
	≤ 5,30	310x75x7 + 295x65x5		U 160x60x6
	≤ 5,90	260x75x7 + 245x65x5		U 200x60x6
	≤ 6,10	310x75x7 + 295x65x5		U 200x60x6

(1) Consult DAF for tail lifts with a higher capacity, and for other combinations not mentioned in this overview.

(2) The determination of the sub-frame dimensions is based on the use of Steel 37 (Fe 360 B according to EN10025).

(3) Tail lift capacity ≤ 1000 kg.

(4) Tail lift capacity ≤ 1500 kg.

(5) Body length and AE to be determined on the basis of axle load calculation; consult TOPEC.

4.3 VEHICLE LOADING CRANES

The attachment method for a vehicle loading crane depends upon the position of the crane:

- crane immediately behind cab **BAM 2**, or
- crane at rear end of chassis: **BAM 3a**. or **BAM 3** (LF and CF65 series)
- crane in combination with more than 2 crane supports: **BAM 4**.

Consult DAF for any position other than the two above-mentioned crane positions, for instance for cranes mounted amidships.

Vehicle series	Side member dimensions [mm]	Flitch dimensions [mm]	Max. crane capacity		Number of crane supports
			Crane behind cab. ⁽¹⁾ [kNm]	Crane at rear overhang ⁽¹⁾ [kNm]	
FA LF45	192x66x4,5	(180x62x4,0) ⁽²⁾	100	75	2
FA CF65 FA / FAN LF55	260x75x6,0	(245x60x5,0) ⁽²⁾	150	100	
FA CF75-85 FA XF	260x75x7,0 310x75x7,0	- (295x65x5,0) ⁽²⁾	200	150	
FAS/R FAG FAN CF75-85 XF	260x75x7,0	245x65x5,0	250	170	2 / 4
	310x75x7,0	-	300	200	
	310x75x7,0	295x65x5,0			
	310x75x8,5	292x65x8,5			

BODYBUILDERS' GUIDELINES

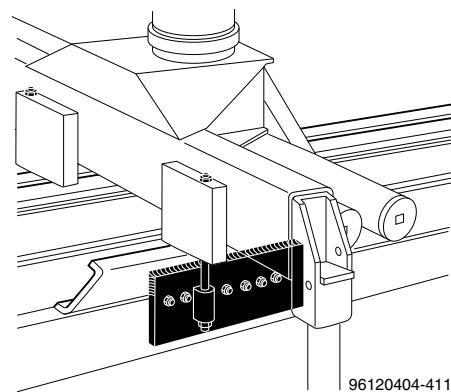
Superstructures

Vehicle series	Side member dimensions [mm]	Flitch dimensions [mm]	Max. crane capacity		Number of crane supports
			Crane behind cab. ⁽¹⁾ [kNm]	Crane at rear overhang ⁽¹⁾ [kNm]	
FAC FAD FAK FAX CF85 XF	310x75x6,0	295x65x5,0	400	250	4
	310x75x7,0	295x65x5,0			
	310x75x8,5	292x65x8,5			

(1) Position of the crane; crane behind the cab, see Graph A, and crane at the rear overhang, see Graph B.
 (2) Dependent of vehicle layout, see chassis drawing.

Attachment of the crane base

The number of attachment bolts under the crane base depends on the attachment method and the maximum capacity of the crane. It should always be determined by and under the responsibility of the supplier of the crane. In any case, the part of the sub-frame on which the vehicle loading crane is to be mounted, must be attached to the chassis frame of the vehicle with large attachment plates and flange bolts.



Attachment of the crane base

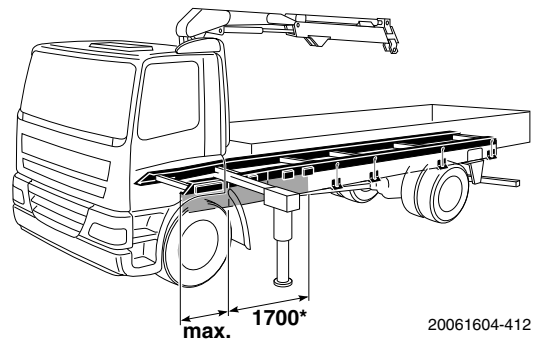
Sub-frame dimensions

Always use a sub-frame when mounting a crane superstructure on a chassis frame. For the dimensions of the required sub-frame, refer to one of the two graphs shown below. The following information will help you to choose the applicable graph:

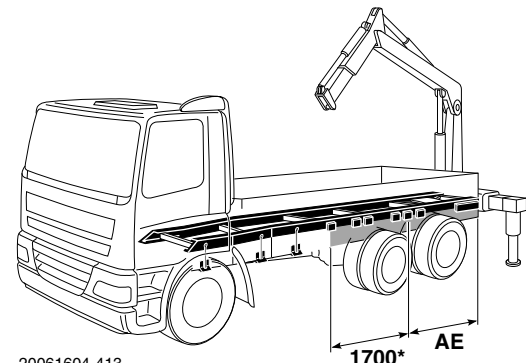
The 2 graphs (A and B) can be used to determine the sub-frame dimensions as follows. Graph A: from a crane capacity of, for instance, 140 kNm, draw an imaginary horizontal line to the right until it crosses the vertical line of the side member, for instance 260x75x6 (LF55). The reading for the sub-frame dimensions is box section 160x80x8. The dimensions of the chassis members (possibly with flitches) in the indicated critical zones (*; see figure) of the chassis can now be read from the bodybuilders' drawings.

These drawings are available from DAF and they can be found as digital files on the TOPEC CD-ROM and the internet (www.daf.com).

Graph A: Crane immediately behind cab
 Sub-frame material Fe 510 D, according to EN 10025 (St 52-3 according to DIN 17100).



20061604-412



20061604-413

Critical zones for mounting of cranes

Graph B: Crane at rear end of chassis
Sub-frame material Fe 510 D, according to EN 10025 (St 52-3 according to DIN 17100).

Torsional stability

If a vehicle loading crane is fitted at the rear end of the chassis, a torsional stiffener must be provided in the rear overhang. The torsional stiffening may be provided by the superstructure itself or by a sub-frame stiffener; also see 'Torsional stability of the sub-frame' in section 3.1: "Superstructure with sub-frame". The stability is determined by the vehicle, the load, the position of the support legs and the structure of the surface under the support legs.

Vehicle stability during operation of any superstructure system is the responsibility of the bodybuilder and the user. The user should at all times make sure that vehicle stability is guaranteed. It is therefore important that clear instructions for use of the superstructure should be provided on or supplied with the vehicle.

Graph A

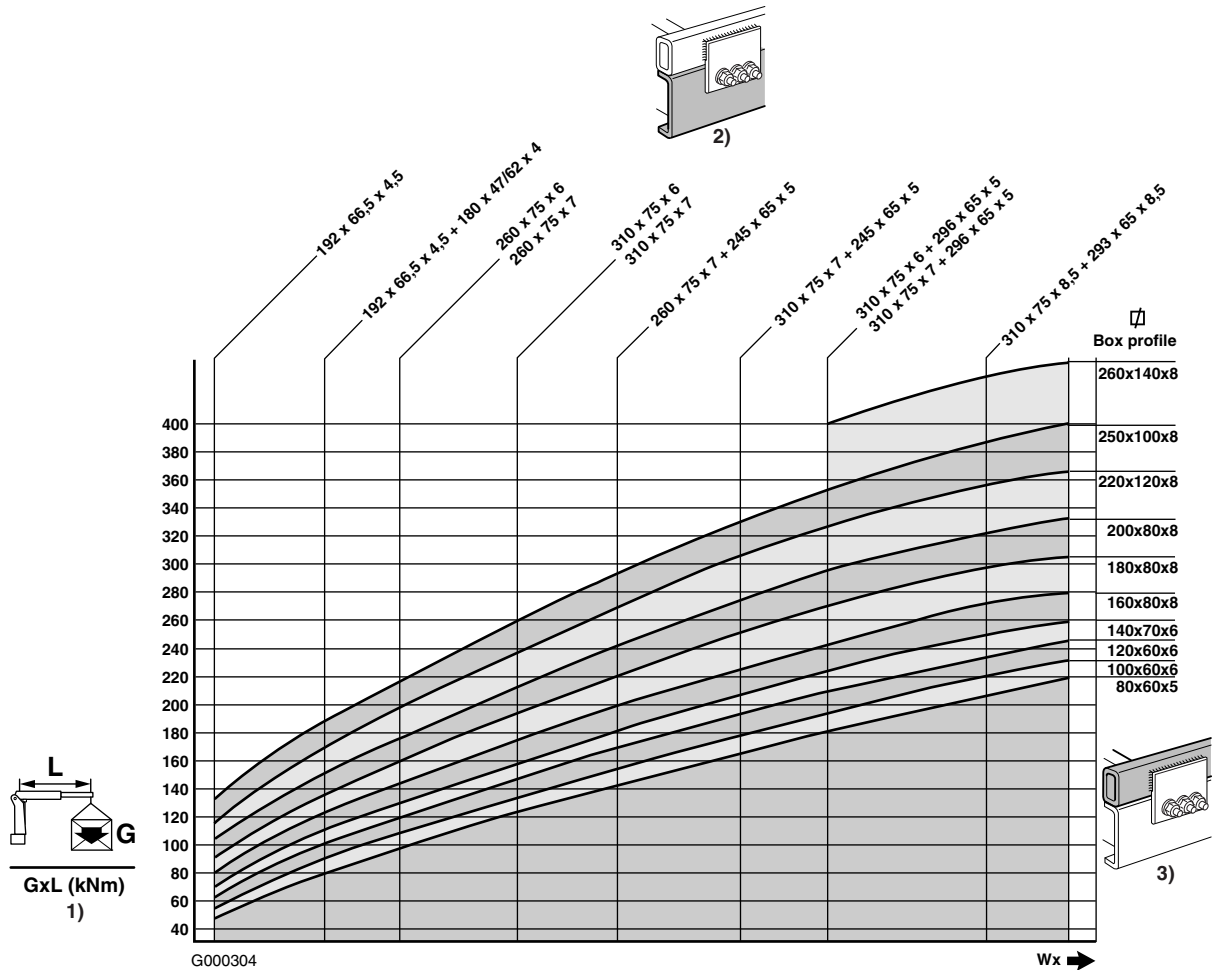
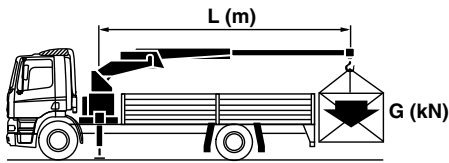
Minimum sub-frame dimensions for:

- **crane immediately behind the cab,**
- **sub-frame material Fe 510 D.**

BODYBUILDERS' GUIDELINES

Superstructures

4

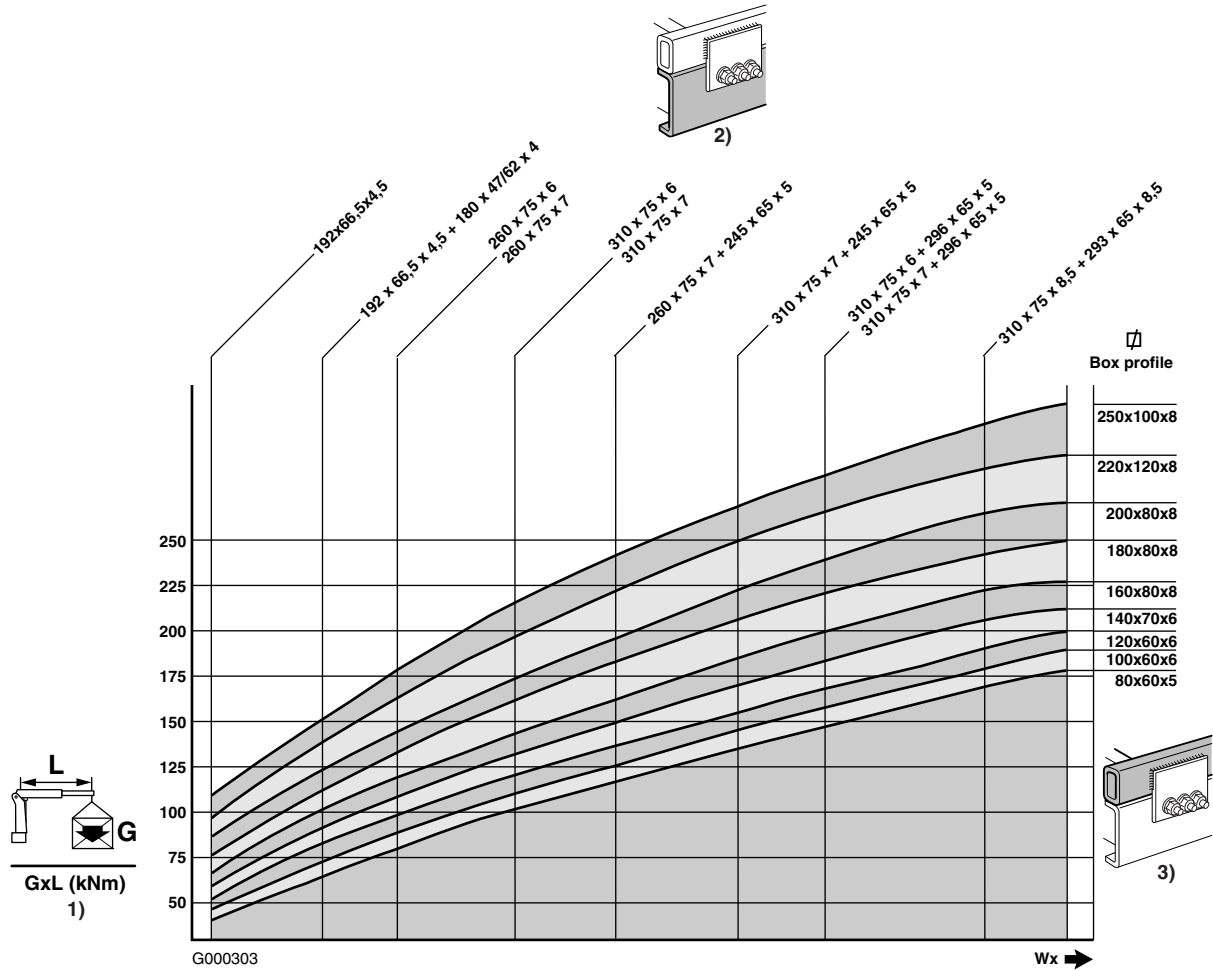
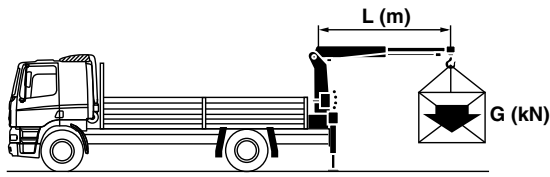


1. Vehicle loading cranes, see section 4.3.
2. Chassis dimensions, see section 2.10: "Chassis dimensions".
3. Superstructure with sub-frame, see section 3.1: "Superstructure with sub-frame".

Graph B

Minimum sub-frame dimensions for:

- crane at rear end of chassis,
- sub-frame material Fe 510 D.



1. Vehicle loading cranes, see section 4.3.
2. Chassis dimensions, see section 2.10: "Chassis dimensions".
3. Superstructure with sub-frame, see section 3.1: "Superstructure with sub-frame".

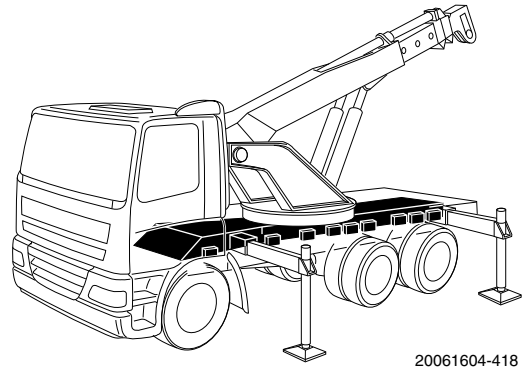
BODYBUILDERS' GUIDELINES

Superstructures

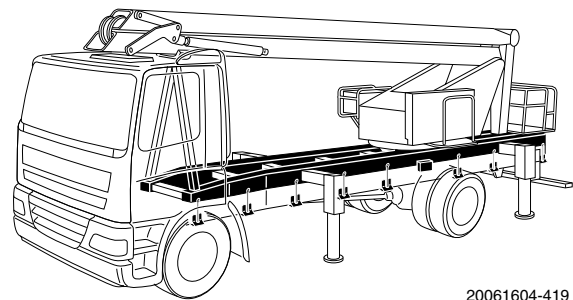
Recovery vehicles and hydraulic platforms

The superstructure should always be attached to the chassis with a sub-frame or a self-supporting ("pontoon-type") sub-frame construction. If the latter type is used, it is generally not possible to provide a rigid attachment because of the unequal distribution of strength and stiffness between the chassis and sub-frame and consequently the location of the neutral line of the assembly. If the vehicle chassis frame has to contribute to the strength of the superstructure, DAF should be contacted.

Vehicle stability during operation of any superstructure system is the responsibility of the bodybuilder and the user. The user should at all times make sure that vehicle stability is guaranteed. It is therefore important that clear instructions for use of the superstructure should be provided on or supplied with the vehicle.



Recovery vehicle, BAM 4



Hydraulic platform with 'pontoon-type' sub-frame, BAM 1

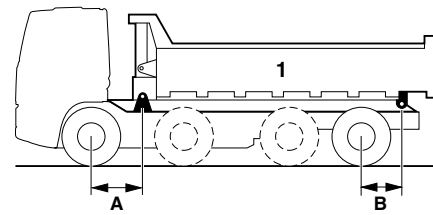
4.4 TIPPER BODIES

Attachment methods for tipper bodies		
Tipper with front-end ram	Version 1	BAM 3a
Tipper with central ram	Version 2	BAM 3a
Three-way tipper	Version 3	BAM 4 or BAM3a
Tipping demountable body	Version 4	BAM 4

For the mounting of tipper bodies, the following general guidelines always apply:

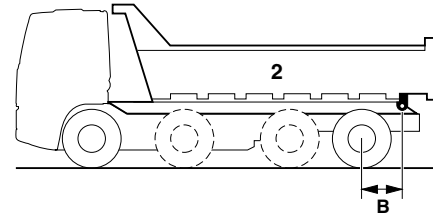
- Tipper bodies should preferably be fitted to chassis with 310 mm high side members. Depending on the application, tipper bodies may, however, be fitted to chassis with 192 or 260 mm high side members; however, in such cases the sub-frame will have to be of a heavier design than when a chassis with 310 mm high side members is used.
- In general, the use of tipper bodies on **air-sprung chassis** is possible if certain conditions are met. Consultation with DAF is desirable in such cases.
- It is not permitted to mount tipper bodies on the FAN LF55, FAR chassis (6x2 vehicles with single wheels on the trailing axle) and the FAX chassis (8x2 vehicles with single wheels on the trailing axle), because this type of vehicles was not developed for this application. If, for a certain application, a tipper body **must** be used on such chassis, consultation with DAF is required, on the one hand for verification and on the other to be certain that the conditions set can be met.

In the table you will find the sub-frame data for various tipper versions and also the maximum distance (B) from pivot point to rear axle.



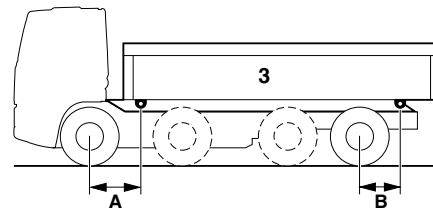
G000300

Tipper with front-end ram



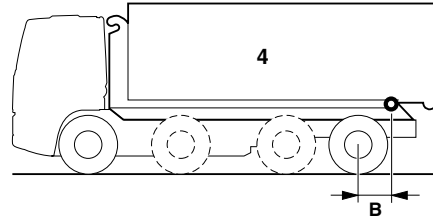
G000299

Tipper with central ram



G000298

Three-way tipper



G000297

Tipping demountable body

Sub-frame dimensions

Data for tipper bodies and sub-frames							
Vehicle type	GVM max. [tonne]	WB [m]	Chassis section near rear axle [mm]	Tipper type	A Max. [mm]	B Max. [mm]	$W_{x,miq}^{(1)}$ [cm ³]
FA LF45	7.5-12	≤3.65	192x66,5x4.5	1,-,-,-	1000	1050	(2)
				-,2,3,4	1000	1050	41.0
FA LF55	13-18	≤4.30	260x75x6	1,-,-,-	1000	1200	(2)
				-,2,3,4	1000	1200	41.0
FA CF65	19	≤4.45	260x75x6	1,-,-,-	1200	1050	61.0
				-,2-3-4	1200	1050	86.0
FA CF65 FA CF75-85 FA XF	20.5	≤4.90	310x75x7	1,2,3,4	1200	1050	26.5
				1,2,-,-	1200	1300	41.0

BODYBUILDERS' GUIDELINES

Superstructures

Data for tipper bodies and sub-frames							
Vehicle type	GVM max. [tonne]	WB [m]	Chassis section near rear axle [mm]	Tipper type	A Max. [mm]	B Max. [mm]	$W_{x, \text{min}}$ ⁽¹⁾ [cm ³]
FA CF65 FA CF75-85 FA XF	20.5	≤4.90	260x75x7	1,2,3,4	1200	1050	61.0
				1,2,-,-	1200	1300	86.0
FAG CF75-85	28	≤5.90	310x75x7+ 295x65x5	1,2,3,4	1200	1050	85.0
				1,2,-,-	1200	1300	115.0
FAS CF75-85 FAS XF FAN CF75-85	28	≤4.20	310x75x7	1,2,3,4	1200	650	116.0
				1,2,-,-	1200	800 ⁽⁴⁾	150.0
FAS CF75-85 FAS XF FAN CF75-85	28	≤4.80	310x75x7 + 295x65x5	1,2,3,4	1200	650	26.5
				1,2,-,-	1200	800 ⁽⁴⁾	41.0
FAT CF75-85 FAT XF	28	≤5.55	310x75x7 + 295x65x5	1,2,3,4	1200	650	85.0
				1,2,-,-	1200	800 ⁽³⁾	115.0
FAT CF85 FAT XF	33	≤5.55	310x75x8.5 + 292x65x8.5	1,2,3,4	1200	650	85.0
				1,2,-,-	1200	800 ⁽³⁾	115.0
FAX CF85	34 ⁽⁶⁾	≤5.70	310x75x7 + 295x65x5	1,2,-,-	1200	650	85.0
					1200	800 ⁽³⁾	115.0
FAC CF85	34 ⁽⁶⁾	≤5.70	310x75x7 + 295x65x5	1,2,3,4	1200	650	85.0
				1,2,-,-	1200	800 ⁽³⁾	115.0
FAC CF85	37 ⁽⁶⁾	≤6.20	310x75x8.5 + 292x65x8.5	1,2,3,4	1200	650	85.0
				1,2,-,-	1200	800 ⁽³⁾	115.0
FAD CF85 FAD XF	34 ⁽⁶⁾	≤6.40	310x75x7 + 295x65x5	1,2,3,4	1200	650	85.0
				1,2,-,-	1200	800 ⁽³⁾	115.0
FAD CF85 FAD XF	37 ⁽⁶⁾	≤6.40	310x75x8.5 + 292x65x8.5	1,2,3,4	1200	650	85.0
				1,2,-,-	1200	800 ⁽³⁾	115.0
FAD CF85 FAD XF	44 ⁽⁶⁾	≤6.40	310x75x8.5 + 292x65x8.5	1,2,3,4	1200	650	250
				1,2,-,-	1200	800 ⁽³⁾	285
FAK XF	35.5 ⁽⁶⁾	≤5.30	310x75x7 + 295x65x5	1,2,3,4	1200	1000 ⁽⁵⁾	160

(1) Minimum required moment of resistance of one sub-frame side member.

(2) A sub-frame is not required for chassis strength or because of deflection, but can be mounted, for instance, to obtain sufficient wheel clearance.

(3) Rear axles airsuspension B Max. is 1000 mm.

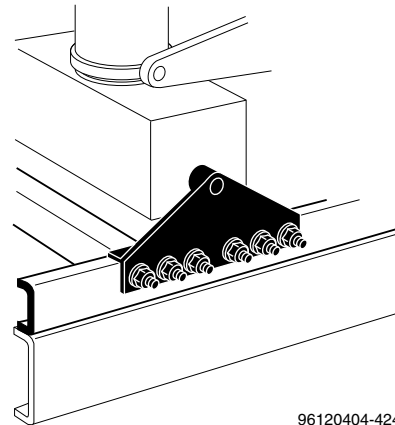
(4) FAS rear axles airsuspension B Max. is 1000 mm.

(5) Rear axles airsuspension.

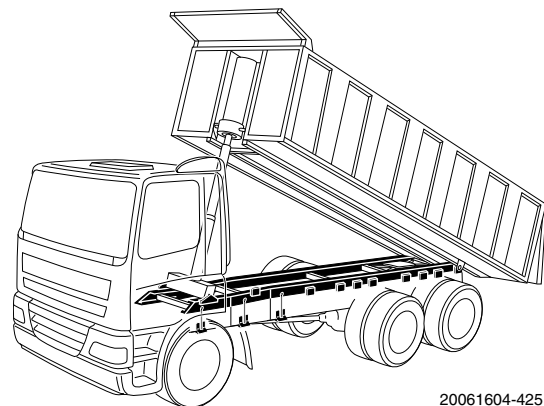
(6) Independent chassis support in the rear overhang is recommended for increased stability during tipping operation.

Attachment of ram and tipping pivot

Both the front-end ram and the central ram should be attached in the sub-frame. Allowance should be made for the space required for driveline movements. The tipping pivot at the rear of the tipper body should be attached to the sub-frame.



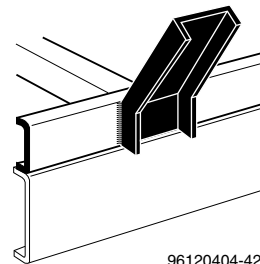
Attachment of the front-end ram



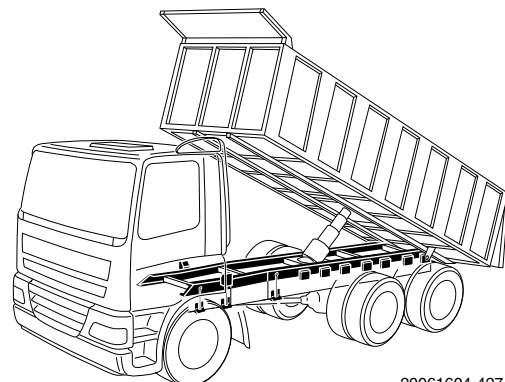
Tipper with front-end ram

Attachment of guide plate

The sub-frame should be provided with guide plates at the front end of the tipper body to prevent lateral movement of the body. To prevent torsion in the sub-frame, it is recommended to fit a cross member in the sub-frame here, too.



Guide plate



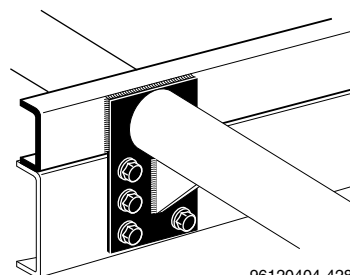
Tipper with central ram

BODYBUILDERS' GUIDELINES

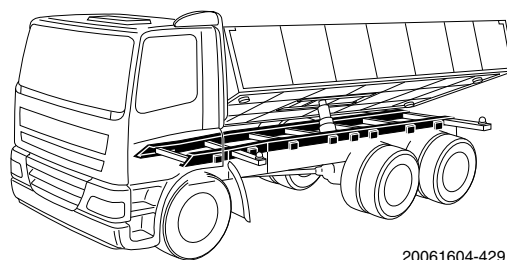
Superstructures

Attachment of ball pivot (three-way tipper)

The tipper body pivot should be attached to the sub-frame. Braces can be bolted into position and, if they are attached to the sub-frame, they will also serve as retainer plates.



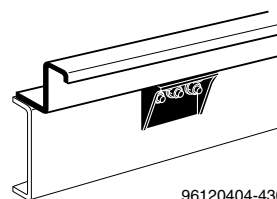
96120404-428
Attachment of ball pivot



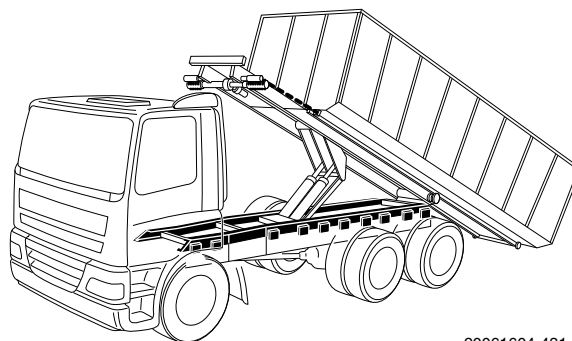
20061604-429
Three-way tipper

Attachment of the demounting system

Irrespective of the type of system, the demounting system should be attached to the sub-frame. If the sub-frame of the demounting system is wider than the vehicle chassis frame, consoles can be used to mount the demounting system. The top of the consoles must be flush with the top of the chassis frame. If DAF consoles are used for this purpose, the locating edge at the top of their rear wall should be removed. The consoles can be welded to the sub-frame and attached to the chassis with flange bolts; also see section 3.2: "BAM's - body attachment methods".



96120404-430
Attachment of sub-frame with console



20061604-431
Tipping demountable body

Stability by torsional stiffeners

In all cases, torsional stiffeners should be fitted in the sub-frame rear overhang; see: 'Stability by torsional stiffening of the sub-frame' in section 3.1: "Superstructure with sub-frame". Stability during tipping depends on a number of factors and is positively influenced by:

- greater rigidity in the chassis (rear overhang) and body,
- ram(s) positioned as far as possible to the front (front-end ram),

- shortest possible rear overhang and favourable position of tipping pivot,
- Independent chassis support in the rear overhang. This chassis support can be fitted at the rearmost axle, however the axle load must not exceed twice the maximum technical axle load. Alternative the chassis support can be fitted at the end off the chassis and supporting on ground level.
- tipping stabiliser (scissors construction) between body and chassis,
- skilled operation and firm level surface for the vehicle to stand on.

Vehicle stability during operation of any superstructure system is the responsibility of the bodybuilder and the user. The user should at all times make sure that vehicle stability is guaranteed. It is therefore important that clear instructions for use of the superstructure should be provided on or supplied with the vehicle.

4.5 TANKERS

General

For torsionally rigid (self-supporting) body constructions, including tanker superstructures, console attachment can be opted for. However, at certain vehicle speeds and under certain conditions, such an attachment may lead to annoying bending vibrations in the frame, which may have a highly adverse effect on the driving comfort. It is therefore important not to exceed the indicated maximum positions of attachment points on the frame.

In chapter 3 is shown how many consoles per vehicle type and chassis segment are required. In the event that less consoles per segment are used, these consoles must be lengthened to have a longer contact surface with the longitudinal. The chassis load by the tanker support must be in relation with the console dimension and attachment.

The console attachment introduces a local vertical point load which results in local stresslevel in the chassis. Therefore the chassis longitudinal must be reinforced with an innerliner, in case there is no innerliner reinforcement a subframe must be mounted.

The centre of gravity of the tanker body must be as low as possible, in order to decrease the risc for vehicle verturning.

On trucks with tanker superstructures which are to transport liquid goods, the need for lengthways and crossways baffles must be considered.

BODYBUILDERS' GUIDELINES

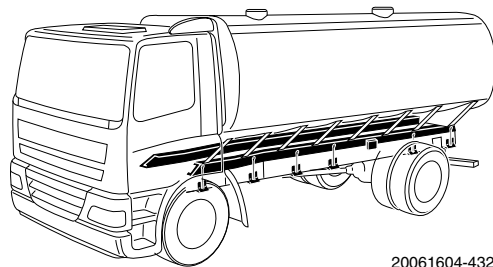
Superstructures

The bodybuilder is free to make a choice from the undermentioned body attachments, depending on which construction (according to his own insights and experience) is most suitable for the superstructure in question. In all cases, the bodybuilder remains responsible for ensuring that the tank construction is sufficiently strong for the selected attachment and/or mounting method of the tanker body.

Tanker body with sub-frame

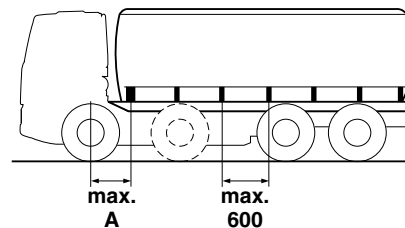
Body attachment method **BAM 1** should be used for a tanker body with sub-frame. Take care that the load is evenly distributed over the sub-frame, by using sufficient tank brackets. Also see the figure opposite.

A: 1000 (LF)
1400 (CF - XF)



20061604-432

Body with sub-frame



22032802-015

Positions of superstructure attachment points

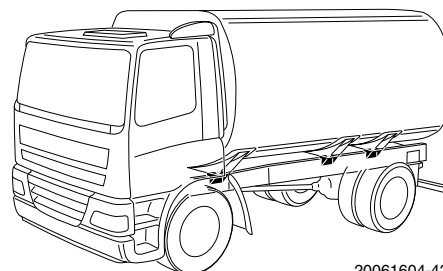
Tanker body on consoles (with or without onboard weighing system)

The console attachment introduces a local vertical point load which results in local stress in the chassis. Therefore the chassis longitudinal must be reinforced with an innerliner, in case there is no innerliner reinforcement a subframe must be mounted. The console attachment might also introduce lateral torsion to the chassis longitudinal. To eliminate this lateral torsion a cross member must be present. Check section consoles in 3.2: "BAM's - body attachment methods".

Console attachment, fixed

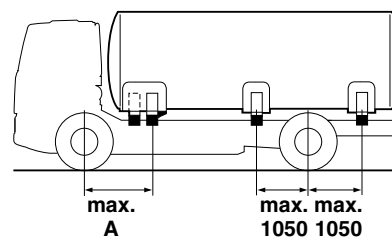
Body attachment method **BAM 5** is used for this. Fixed attachment of the tanker superstructure is particularly suitable for two-axle vehicles. Spacer bushes with a length of at least 30 mm should be used (see section 3.4: "Type of superstructure/BAM matrix").

A: 1000 (LF)
1400 (CF - XF)



20061604-434

Console attachment

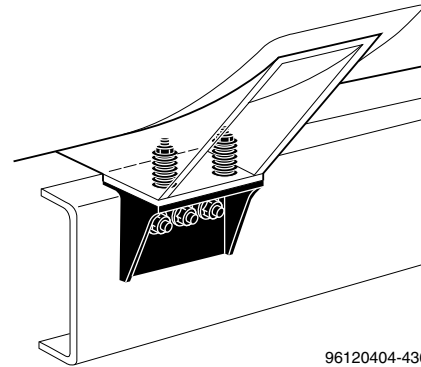


22032802-014

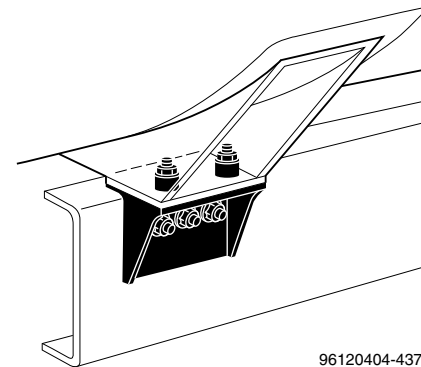
Positions of consoles on two-axle vehicles

Console attachment, semi-flexible

Body attachment method **BAM 5** is used for this. Consoles with pressure springs are used at the front. Spring pre-tension should be 3 kN per spring. In relation with a vertical static console load of 20 kN two pressure springs should be used, the pre-tension of each spring should be 3 kN. The minimum spring rate per spring is 225 N/mm. Fixed superstructure-to-console attachment is used at the rear. For this, use spacer bushes with a length of at least 30 mm (see section 3.4: "Type of superstructure/BAM matrix").



96120404-436
Console with pressure springs



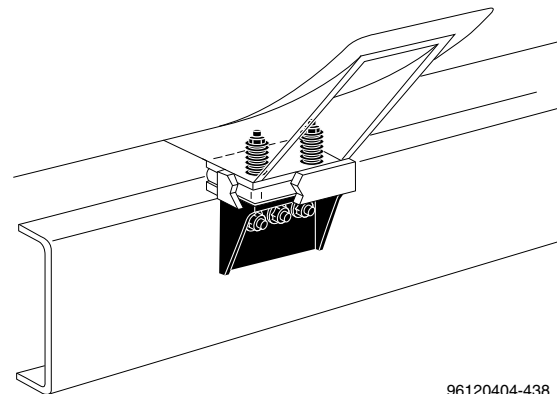
96120404-437
Console with fixed attachment

Console attachment, all-flexible

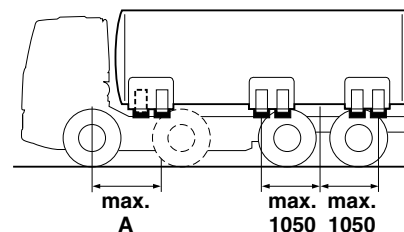
Body attachment method **BAM 5** is used for this. Consoles with pressure springs are used at both front and rear. At the rear, rubbers are added. These rubbers must always rest directly on the console and may never be placed on, for example, spacers. The rubbers used must not be compressed more than 1 mm under a static load.

The tank brackets on consoles with pressure springs and rubber must have a provision for fixation of the superstructure in the longitudinal and transverse directions.

- A:** 1000 (LF)
1400 (CF - XF)



96120404-438
Console with springs and rubber



22032802-013
Position of consoles on multi-axle vehicles

BODYBUILDERS' GUIDELINES

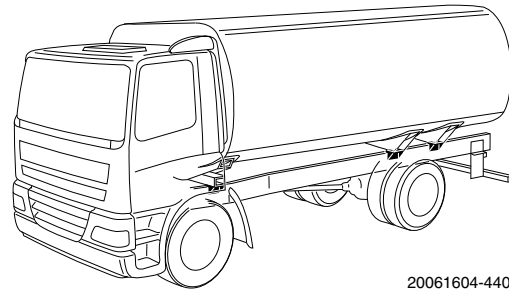
Superstructures

Console attachment, three-point (two-axle vehicles)

Body **attachment method BAM 5** is used for this. The front mounting point of the tank is a spring-loaded swinging unit. In relation with a vertical static console load of 20 kN per side as specified spring tension can be seen from the graph. With a given dimension 'a', representing the distance between the console springs, the spring tension should be 'P'.

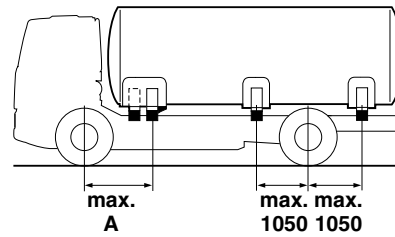
The consoles placed in front of the rear axle have pressure springs. Those placed behind the rear axle have fixed attachment.

- A:** 1000 (LF)
1400 (CF - XF)



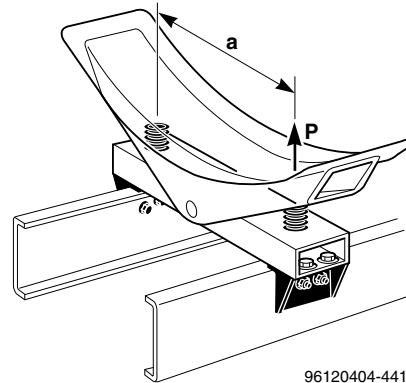
20061604-440

Three-point attachment on two-axle vehicles



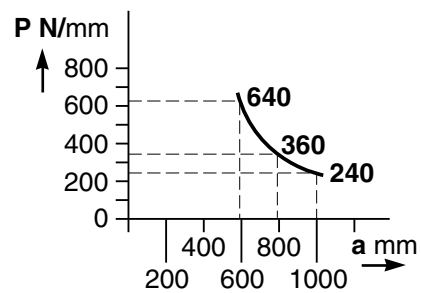
22032802-014

Position of consoles



96120404-441

Oscillating unit



96120404-442

Graph

Console attachment, three-point (multi-axle vehicles)

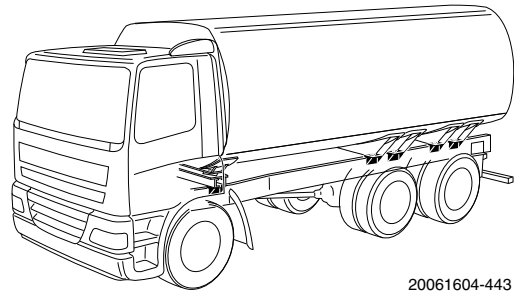
Body attachment method **BAM 5** is used for this. The front mounting point is a tank bracket attached with rubbers and springs to a cross member resting on consoles.

The spring force of the machine rubbers used should be:

- vertical: $6 + 0.5 \text{ kN/mm}$,
- horizontal: $7 + 0.5 \text{ kN/mm}$.

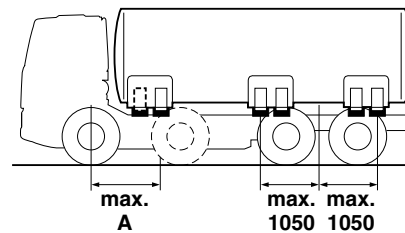
The consoles placed in front of the rear axle centre have pressure springs. Those placed behind the rear axle have fixed attachment.

A: 1000 (LF)
1400 (CF - XF)



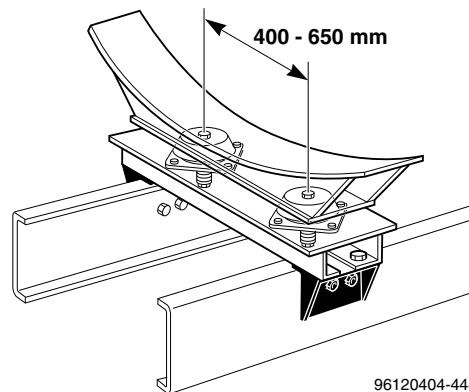
20061604-443

Three-point attachment on multi-axle vehicles



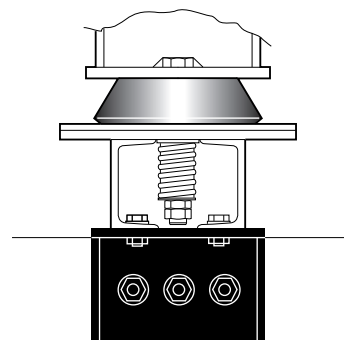
22032802-013

Positions of consoles on multi-axle vehicles



96120404-444

Front mounting



96120404-445

Mounting of machine rubber

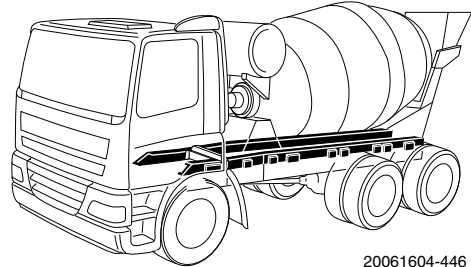
BODYBUILDERS' GUIDELINES

Superstructures

4.6 CONCRETE MIXERS AND CONCRETE PUMPS

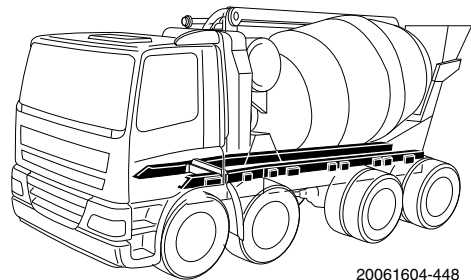
A sub-frame should always be used for concrete mixers, concrete pumps and combined concrete mixer/pump superstructures. BAM 4 (fully rigid attachment) should be used for the mounting of this sub-frame.

Consult DAF for the selection of the sub-frame section.



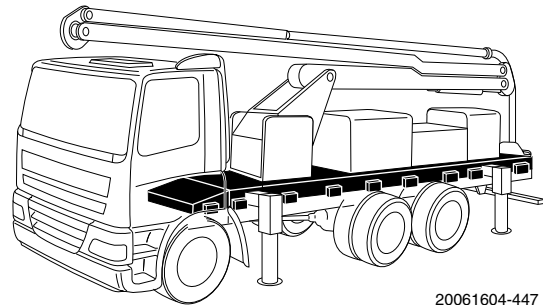
20061604-446

Concrete mixer superstructure



20061604-448

Concrete pump superstructure



20061604-447

Combined concrete mixer/ concrete pump superstructure

Torsional stability

In all cases torsional stiffeners should be fitted in the rear overhang of the vehicle, in accordance with 'Torsional stability of the sub-frame' in section 3.1: "Superstructure with sub-frame".

Vehicle stability during operation of any superstructure system is the responsibility of the bodybuilder and the user. The user should at all times make sure that vehicle stability is guaranteed. It is therefore important that clear instructions for use of the superstructure should be provided on or supplied with the vehicle.

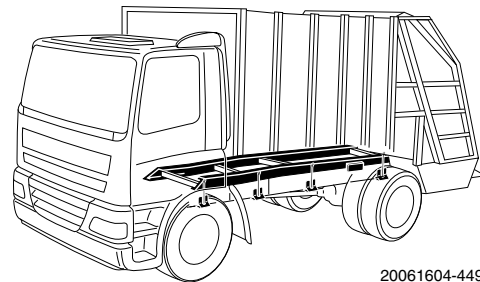
4.7 PUBLIC UTILITY VEHICLES

There is a wide range of public utility vehicles of advanced designs, often regarded as a machine rather than a piece of transport equipment. The customary attachment methods for the most common superstructures are given below. In case of doubt and/or if you have any technical questions about necessary vehicle adaptations, you should contact DAF.

Refuse collector bodies with a compactor at the rear cause extreme high local load (more than 7500 kg) on the rear overhang of the chassis frame. To support this high load in lateral direction and for torsion, the rear end of the chassis frame must be reinforced with a torsional cruciform type stiffening. See an example of the torsional cruciform stiffening in paragraph 'stability by torsional stiffening of the sub frame' in chapter 3.1: "Superstructure with sub-frame".

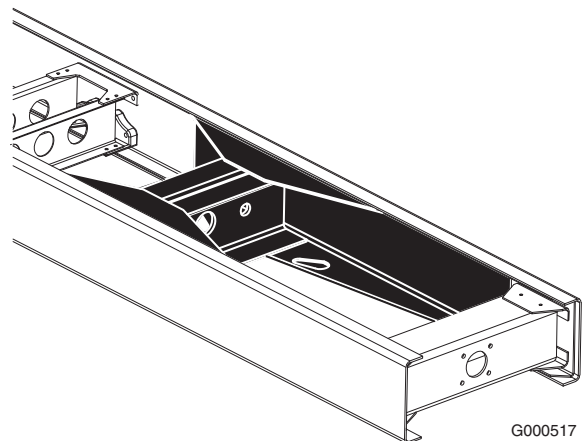
Note:

On special request, an alternative preparation for the FAG refuse collector chassis can be ordered at DAF. This FAG frame, with short rear overhang of 740, 920 or 1000 mm, has a 310x75x7 mm frame with full chassis inner reinforcement profile (295x75x5 mm) and is equipped with a tandem cross member at the location of the rear axle. For this alternative chassis is no extra subframe or torsional stiffening required.



20061604-449

Refuse collector with sub-frame



G000517

Tandem cross member

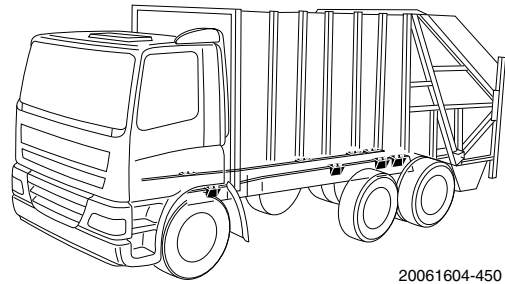
BODYBUILDERS' GUIDELINES

Superstructures

Refuse collector with sub-frame

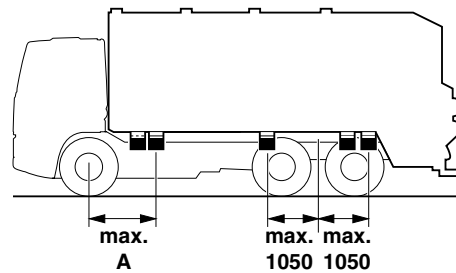
Body attachment method **BAM 1** is used for a refuse collector superstructure with sub-frame. Contact DAF if extremely torsionally rigid constructions are used.

A: 1000 (LF)
1400 (CF - XF)



20061604-450

Console attachment



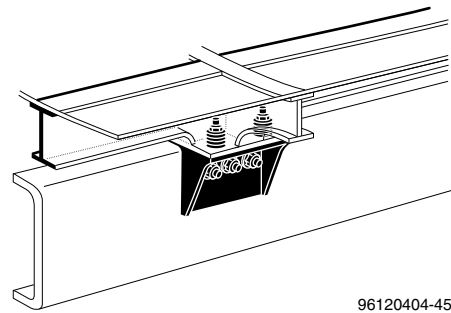
22032802-024

Positions of consoles

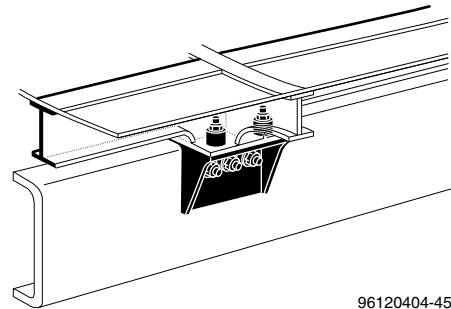
Refuse collector on consoles (with or without onboard weighing system)

The console attachment (BAM5) introduces a local vertical point load which results in local stress in the chassis. Therefore the chassis longitudinal must be reinforced with an innerliner and on multi-axle vehicles with rear compacter also a tandem cross member is required, in case that there are no inner reinforcements a subframe must be mounted. The console attachment might also introduce lateral torsion to the chassis longitudinal. To eliminate this lateral torsion a cross member must be fitted, on the spot of the console, if not present. Check section consoles in 3.2: "BAM's - body attachment methods".

Body **attachment method BAM 5** is used for this. In relation with a vertical static console load of 20 kN two pressure springs should be used, the pre-tension of each spring should be 3 kN. The minimum spring rate per spring is 225 N/mm. Consoles with pressure springs are used at the front. Spring pre-tension should be 3 kN per spring. Fixed superstructure-to-console-attachment is used at the rear. For this, use spacer bushes with a length of at least 30 mm (see section 3.4: "Type of superstructure/BAM matrix").



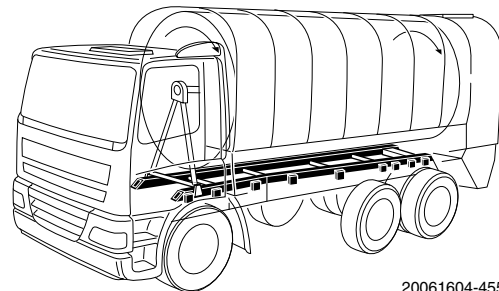
96120404-452
Console with pressure springs



96120404-453
Console with fixed attachment

Refuse collector with rotating drum

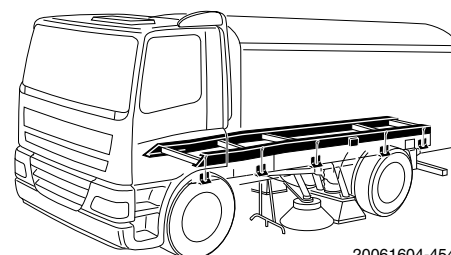
Always use a sub-frame and sufficient attachment plates to mount the superstructure to the chassis, in accordance with **body attachment method BAM 4**.



20061604-455
Refuse collector with rotating drum

Road sweeper

The superstructure should always be fitted with a sub-frame and in accordance with **body attachment method BAM 1**. However, use **BAM 3a** for a tipping road sweeper superstructure. See section 4.4: "Tipper bodies" for the required sub-frame dimensions.



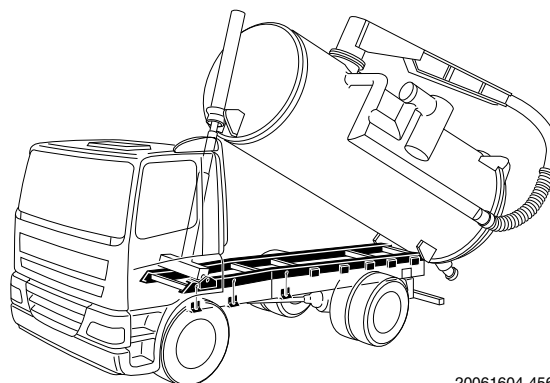
20061604-454
Road sweeper with sub-frame

BODYBUILDERS' GUIDELINES

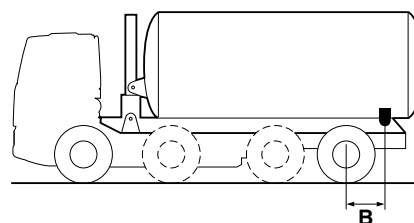
Superstructures

(Tipping) gully emptier

The superstructure should always be fitted with a sub-frame and in accordance with **body attachment method BAM 1**. Use **BAM 3a** for tipping superstructure. See section 4.4: "Tipper bodies" for the required sub-frame dimensions. Torsional stiffening must be provided in the chassis rear overhang (in accordance with: 'Torsional stability of the sub-frame' in section 3.1: "Superstructure with sub-frame").



(Tipping) gully emptier



Position of tipper pivot point

4

4.8 FIFTH WHEEL

DAF tractor chassis are provided with angle sections for simple fifth wheel mounting. For optimum utilisation of tractor/semi-trailer combinations, it is highly important that the technical specifications of tractor chassis and semi-trailer should be carefully matched. Only then will it be possible to determine the correct position of the fifth wheel (**KA** dimension) and the correct fifth wheel mounting height (**HK** dimension).

To ensure quality and durability of the entire construction, only fifth wheels and base plates released by DAF must be mounted.

Mounting height and freedom of movement

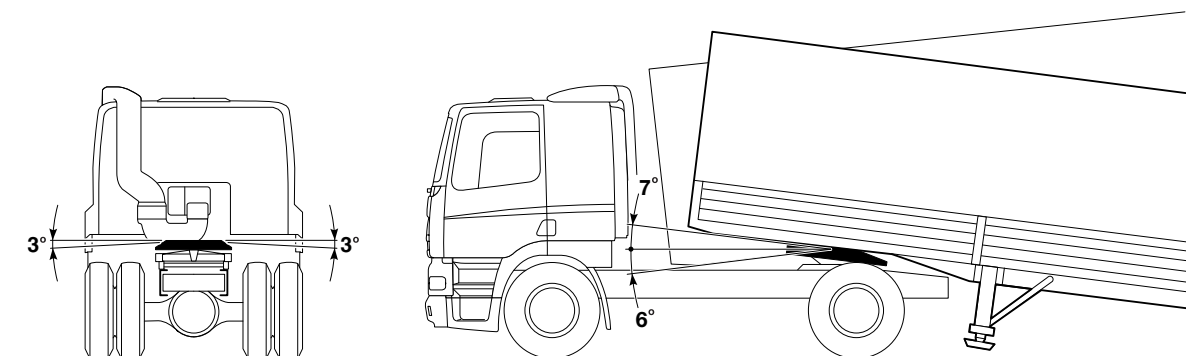
Because of the required **freedom of movement** for the semi-trailer, the **fifth wheel** mounting height is determined by a number of factors:

- A semi-trailer coupled to a tractor should, in the straight-ahead position, have enough freedom of movement to move 6° forwards, 7° backwards and 3° to each side (taken from ISO standard R 1726).
- When turning, the front corners of the semi-trailer must not touch the rear wall of the cab. Swing clearance should be at least 200 mm. This minimum clearance is highly dependent on components on the rear wall of the cab,

such as the air intake system, the exhaust and accessories that have been fitted. To meet the minimum requirement, it may be necessary to relocate the bracket for lighting and air connections.

- During manoeuvring, the semi-trailer must not touch any parts of the tractor chassis, such as mudguards, brackets or lamps. The minimum fifth wheel mounting height above the chassis is also determined by the height of the tyres above the chassis with the springs bottoming (metal on metal). In the case of FTS, FTP and FTG tractors, the wheel clearance of the lifted rear steered axle or second axle should also be taken into account. Also see section 2.14: "Wheel clearance".
- On high-volume semi-trailers used in combination with low-fifth wheel tractor chassis, there should always be a clearance of at least 160 mm between the top of the chassis side members and the underside of the semi-trailer to allow manoeuvring at loading bays, etc. If 3-piece rear mudguards are fitted, it may be necessary to remove the central sections when coupling up the semi-trailer.

For further references concerning the freedom of movement for the semi-trailer, also see ISO standard R 1726: 1989 E.



G000305

Required freedom of movement

D value of fifth wheel

The D value is defined as the theoretical reference value for the **horizontal** force between, in this case, the tractor and the semi-trailer and is therefore taken as a basis for the maximum load under dynamic conditions. The formula below (from directive EC 94/20) can be used to determine the minimum D value required for the fifth wheel.

where:

$$D = g \times \frac{0,6 GT \times GA}{GT + GA - F} \text{ [kN]}$$

SE0004

BODYBUILDERS' GUIDELINES

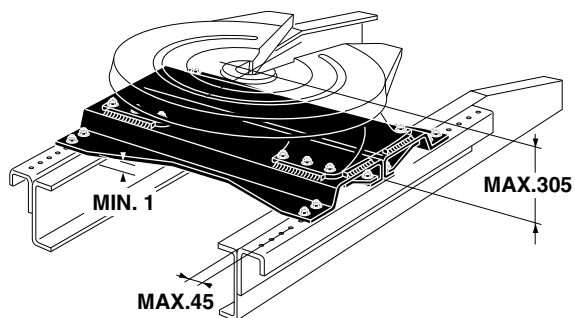
Superstructures

- GA** = Maximum permitted mass (tonnes) of the semi-trailor.
- GT** = Maximum permitted mass (tonnes) of the tractor.
- F** = Maximum permitted vertical mass on the fifth wheel. (tonnes)
- D** = D value on the fifth wheel. (kN)
- g** = Gravitational acceleration. ($\blacktriangleright 10 \text{ m/s}^2$)

Fifth wheel and base plate

The following guidelines apply to the mounting of the fifth wheel and base plate:

- For the mounting of the fifth wheel, only use a fifth wheel base plate released by DAF, which has been tested **as a part of the vehicle** and is mentioned as such in the vehicle certificate. Various separate base plates are also available from DAF. See section 8.12: "Miscellaneous parts" for the available DAF part numbers'.
- The pre-drilled base plates should be fitted to the angle sections on the chassis, using at least **12*** bolts. Only the use of **M16x2 flange bolts** (property class 10.9) is permitted. The bolt heads should point downwards to enable visual inspection. The holes in the pre-drilled angle sections have a pitch of 50 mm. Turning the DAF base plate through 180° (see section 8.12: "Miscellaneous parts" for the available DAF part numbers), gives fifth wheel position adjustment steps of 25 mm. As a result, simple adjustment of the fifth wheel position (within the maximum and minimum KA dimension) is possible, within the limits of the maximum permitted axle and or chassis loads.
 - * To a maximum fifth wheel load of 20 tonnes. For the 12 mm base plate the use of 8 bolts is sufficient up to a maximum fifth wheel load of 15 tonnes.
- The maximum permissible mounting height of fifth wheel and base plate is $H = 305 \text{ mm}$
- To prevent the bolts working loose, **two attachment bolts** should be used at each of the four corners of the base plate. If base plates are used on which only one attachment bolt can be fitted at each corner, 40 mm spacer bushes (combined with longer flange bolts) must be fitted under the bolt heads.
- The maximum distance between the outside of the chassis frame and the attachment bolts in the (non-pre-drilled) angle sections is 45 mm
- The minimum clearance between underside of the base plate and the top of chassis side member flanges is always 1 mm.



G000292

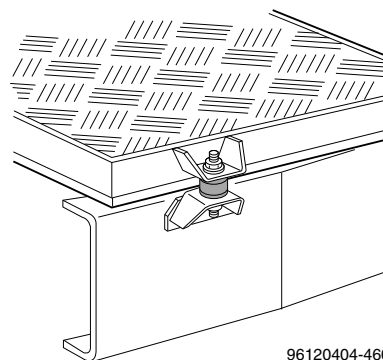
Mounting of the base plate

- Preferably use two-piece base plates for applications involving frequent manoeuvring and off-the-road operation.
- The DAF base plates with a height of 80 and 120 mm are therefore two-piece plates as standard.
- The fifth wheel should be fitted in accordance with the supplier's instructions.

For the tightening torques of DAF flange bolts, see the table in section 2.6: "Attachment of components to the chassis".

Catwalk

If a catwalk is fitted, it must be attached to the chassis frame with rubber mounts. Make sure that sufficient clearance is left for the semi-trailer under all circumstances.



96120404-460

Mounting of catwalk

BODYBUILDERS' GUIDELINES

Superstructures

4

CAB INFORMATION

	Page	Date
5.1 Cab modification	137	200849
5.2 Maximum permissible additional cab weights	137	200849
5.3 Accessories mounting positions	142	200849
5.4 Setting the roof spoiler	149	200849

BODYBUILDERS' GUIDELINES

Cab information

5

5. CAB INFORMATION

5.1 CAB MODIFICATION

No modifications must be made to the cab design, the cab location or the cab suspension without prior written permission from DAF. Because of the special hardening process used, no welding is allowed on the main chassis members of the cab.

If holes have to be drilled in the chassis, make sure they are free from burrs, that rust prevention measures are taken and that the holes are adequately blanked with grommets or sealer.



The truck cab must always first be fully tilted forward (up to the mechanical lock) before work is carried out under it. In all other cases, the bodybuilder should provide a separate locking device using a support.

5.2 MAXIMUM PERMISSIBLE ADDITIONAL CAB WEIGHTS

Information about the maximum weight that may be added to a cab, and about any consequences of adding weight, is given below for the different vehicle series. For additions of higher weights, please consult DAF.

DAF LF Series

Maximum additional cab weight [kg]		
Location of added weight	Day cab	Sleeper cab
On the roof, supported on the M8 welded nuts	40	40
On the roof, supported on the cab walls (see also subject "Mounting of top sleeper on LF Series cab" below)	150	150
Evenly distributed over the under-bunk storage compartments	-	50
Evenly distributed over the bunk	-	125 ⁽¹⁾
In the storage compartments over the windscreen	5 ⁽²⁾	5 ⁽²⁾

(1) Static situation and stationary vehicle.

(2) Total weight distributed over the total storage surface of the compartments.

BODYBUILDERS' GUIDELINES

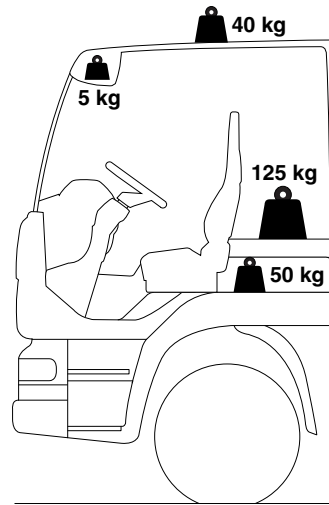
Cab information

Mounting of top sleeper on LF Series cab

The existing cab suspension is designed for cab versions with spoilers and other approved cab accessories. If the mounting of a top sleeper is required a chassis with reinforced mechanical cab suspension should be ordered ex-factory. The reinforced cab suspension prevents excessive cab movements if additional load is added to the cab roof and the cab tilt angle will be limited to 45°.

Maximum bunk load

For the sleeper cab, the maximum permitted load on the bunk **during driving** is 25 kg. Consult DAF if this rule has to be departed from.



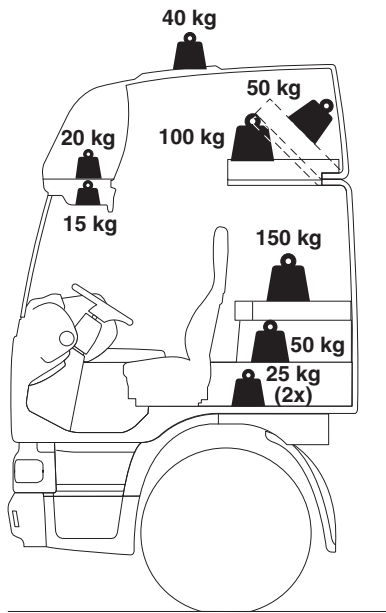
22032802-054

DAF CF Series

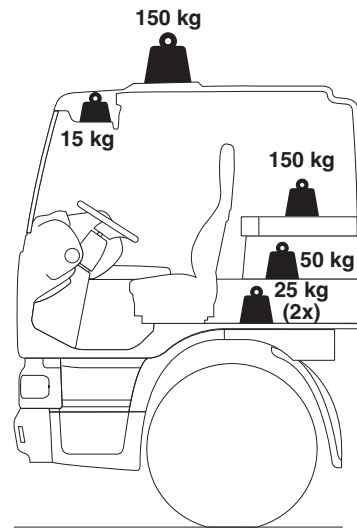
Maximum cab weight [kg]

Location of added weight	Day cab	Sleeper cab	SpaceCab
On the roof, distributed over the 4x/6x M10 welded nuts provided ⁽¹⁾	150	150	40
In the storage compartments over the windscreen	15	15	15
In the storage compartments in the SpaceCab roof			20
Evenly distributed over the bunk		150	150
Evenly distributed over the under-bunk storage compartments (cab with high bunk position)		50	50
In the storage compartments left and right of the engine hump		2 x 25	2 x 25
On second bunk, if fitted (stationary vehicle)		100	100
On second bunk, if fitted (bunk folded up and vehicle moving)		50	50

(1) The SpaceCab roof does not have welded nuts. The positions of 8 aluminium blocks are indicated by depressions.



G000563
Load on CF SpaceCab



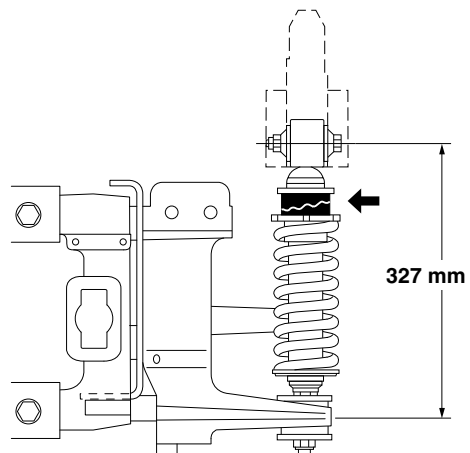
G000564
Load on cabs of CF series

Setting the coil springs

The coil springs can be re-set in four steps, the front coil springs in 9 kg steps per coil spring, the rear coil springs in 13.5 kg steps per coil spring. Remove the bumper before re-setting the coil springs at the front.



When load is added to the cab, the height of the coil-sprung cab must be checked and, if necessary, the coil springs must be re-set.

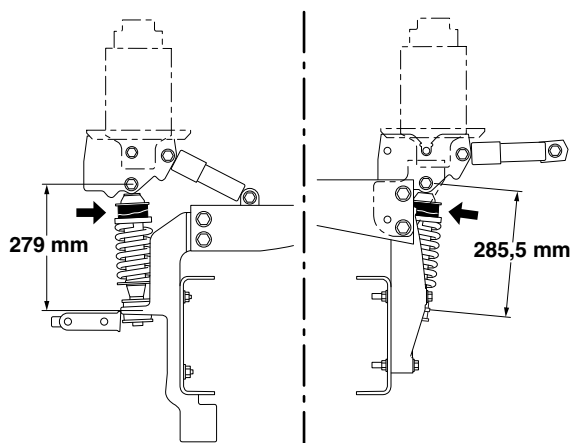


20081102-004

Cab suspension of CF75-85 Series, front

BODYBUILDERS' GUIDELINES

Cab information



22032802-010

Suspension of CF75-85 series sleeper/day cab, rear

5

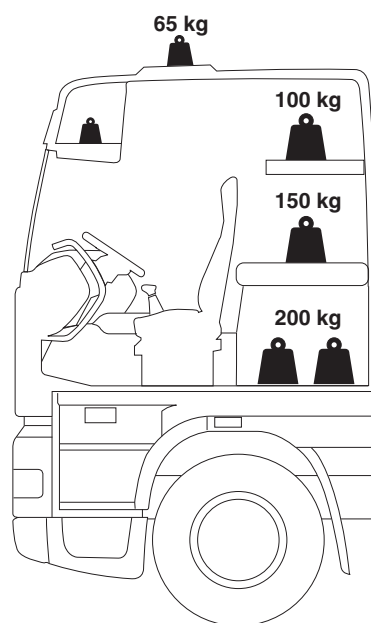
Mounting of top sleeper on CF Series cabs

If the mounting of a top sleeper on a short cab is required, DAF should be contacted before the vehicle is ordered. To restrict the cab movements in such a case, all the springs of the cab suspension system have to be replaced or the right version has to be supplied ex-works. For part numbers, see section 8.1: "Mountings". Setting the coil springs for extra load is described above.

DAF XF Series

Maximum additional cab weight ⁽¹⁾ [kg]			
Location of added weight	Comfort cab	SpaceCab	Super SpaceCab
On the roof, distributed over the 4x M10 welded nuts provided	65	65	65
Distributed over the XF storage compartments above the windscreen	2 x 15	25 + 40 + 15	15 + 50 + 15
Maximum load in the XF open storage compartment under the centre compartment above the windscreen	-	-	10
Evenly distributed in the XF storage compartments above each door	-	-	10
Evenly distributed over the lower bunk	150	150	150
In the under-bunk storage compartments	200	200	200
Evenly distributed over the upper bunk	100	100	100
Maximum additional weight			
Coil-sprung cab suspension	300	235	-
Air-sprung cab suspension	480	390	300

(1) Adding more weight to the cab than indicated in the table may reduce the driving comfort.



G000565

Load on cabs of XF Series

Setting the coil springs

The coil springs can be re-set in four steps, the front and rear coil springs in 18 kg steps per coil spring. Remove the lower grill to access the coil springs at the front.

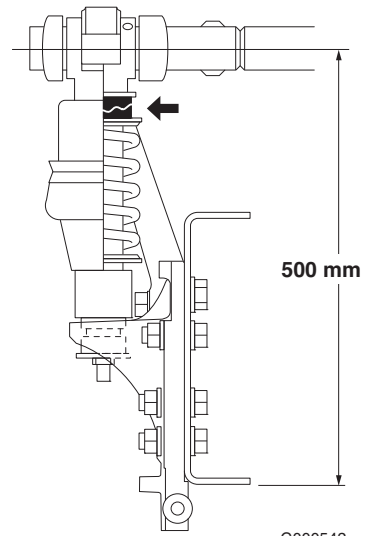


When load is added to the cab, the height of the coil-sprung cab must be checked and, if necessary, the coil springs must be re-set.

BODYBUILDERS' GUIDELINES

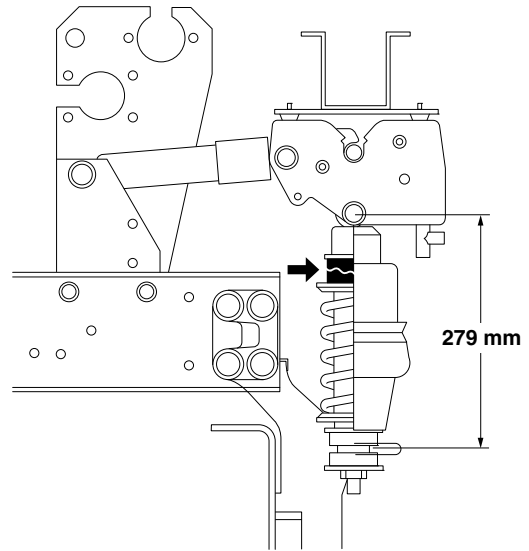
Cab information

5



G000542

Cab suspension of XF series, front



96120404-508

Cab suspension of XF series, rear

5.3 ACCESSORIES MOUNTING POSITIONS

The undermentioned positions may be used for accessories supplied by DAF.

The hole pattern for the XF shown here enables all accessories to be mounted. The holes F and G for aerials are provided as standard.

On all CF and XF cab roofs, the four, six or eight positions (A) for the mounting of the roof spoiler are indicated by dimples in the roof surface. Under these dimples, on the inside of the roof, there are M10 welded nuts or aluminium blocks (CF SpaceCab). For the mounting of spotlights, M8

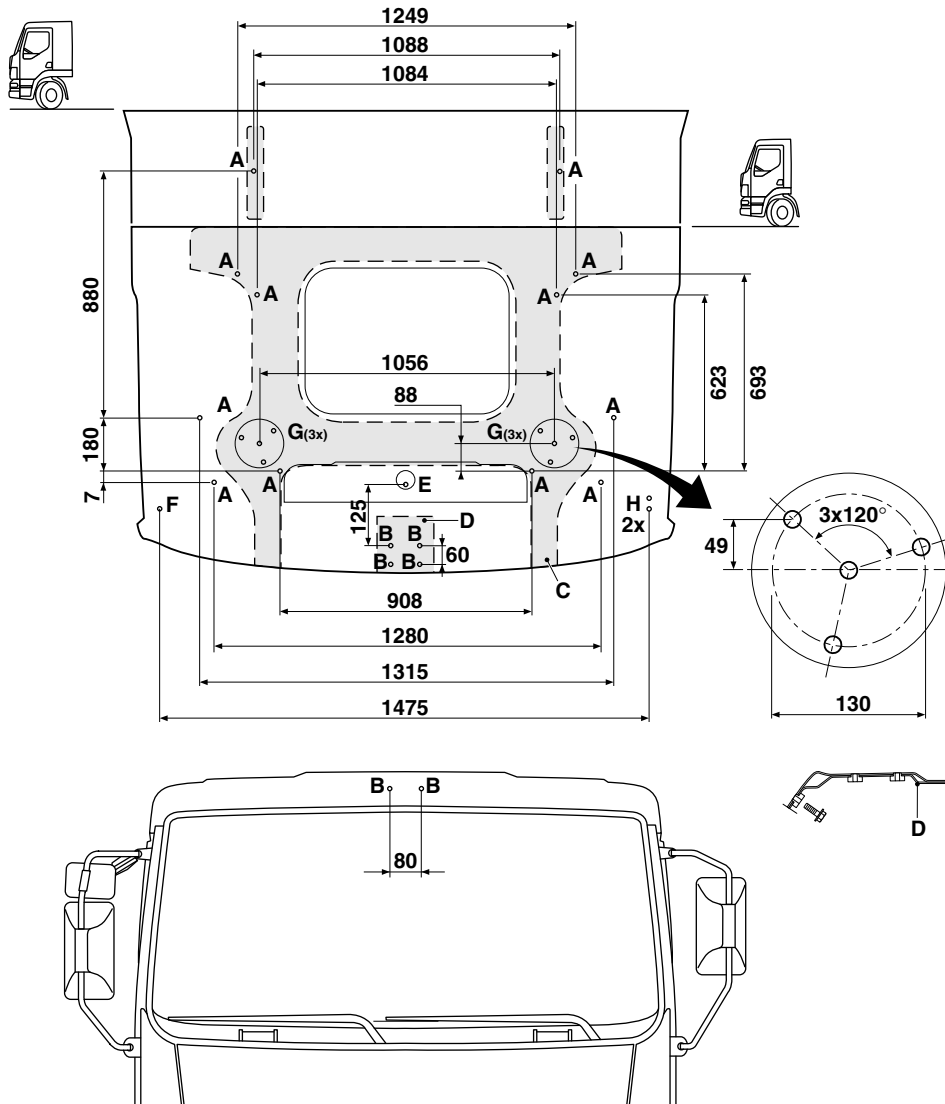
welded nut or aluminium blocks are fitted on the inside of the roof in the indicated places. However, only the lower four holes are indicated by dimples in the roof surface. The CF SpaceCab roof and the XF Super SpaceCab roof do **not** have dimples at the front.

The LF cab roof panels always have dimples on the outside (only on the top) to indicate welded nut positions, but the welded nuts themselves are not always fitted. The following applies if the chassis number is lower than 0L232487: before drilling, always check whether the roof spoiler and/or sun visor mounting frame has been fitted to the inside of the cab roof panel. If this is not the case, the frame should be mounted. The sun visor mounting frame on the inside of the cab roof panel is not fitted as standard. When retrofitting a sun visor, this frame should always be mounted. If in doubt, consult DAF.

BODYBUILDERS' GUIDELINES

Cab information

LF day and sleeper cabs



5

G000312

- A: roof spoiler mounting points (4x or 6x M8 welded nut)
- B: mounting points for sun visor or other accessories (6x M8 welded nut).
- C: roof spoiler mounting frame + 2x extensions for sleeper cab (mounted as standard as from chassis number: 0L232487)
- D: centrally positioned mounting frame for sun visor

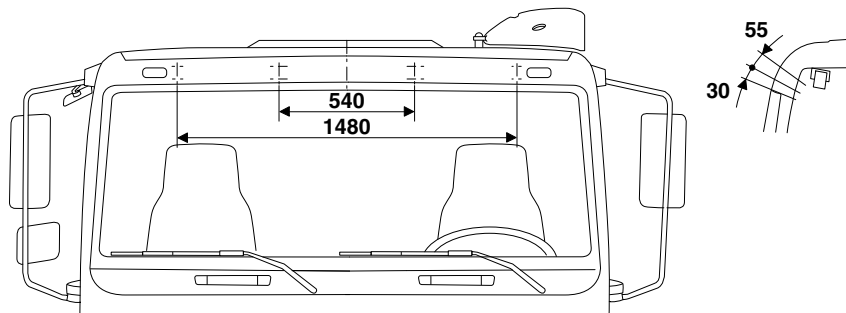
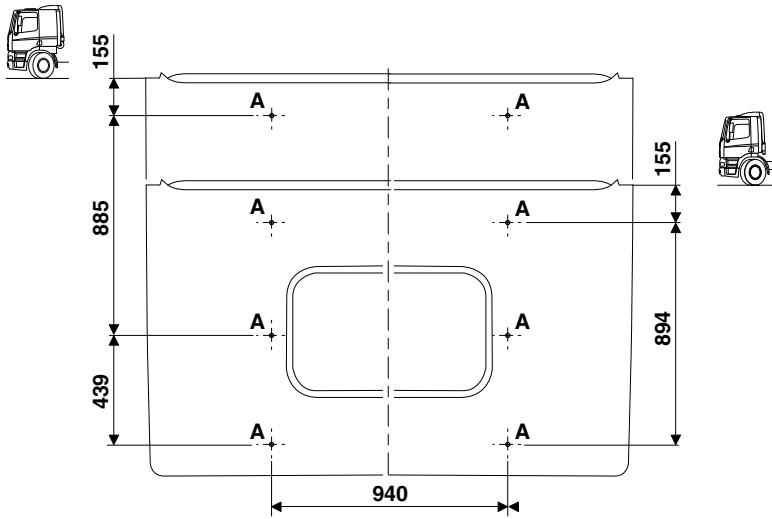
Note:

There are no dimples in the roof panel to indicate the positions of the welded nuts for the sun visor mounting frame; the drilling points can be determined by mounting M8 bolts to the sun visor mounting frame on the interior side of the cab.

- E: radio aerial
- F: telephone aerial ⁽¹⁾
- G: beacon ⁽¹⁾
- H: CB aerial ⁽¹⁾

(1) dimples only; no welded nut nor reinforcement plate on inside of roofpanel. Additional dimples at the G (lefthand side only) and H location are to be used for wire lead trough.

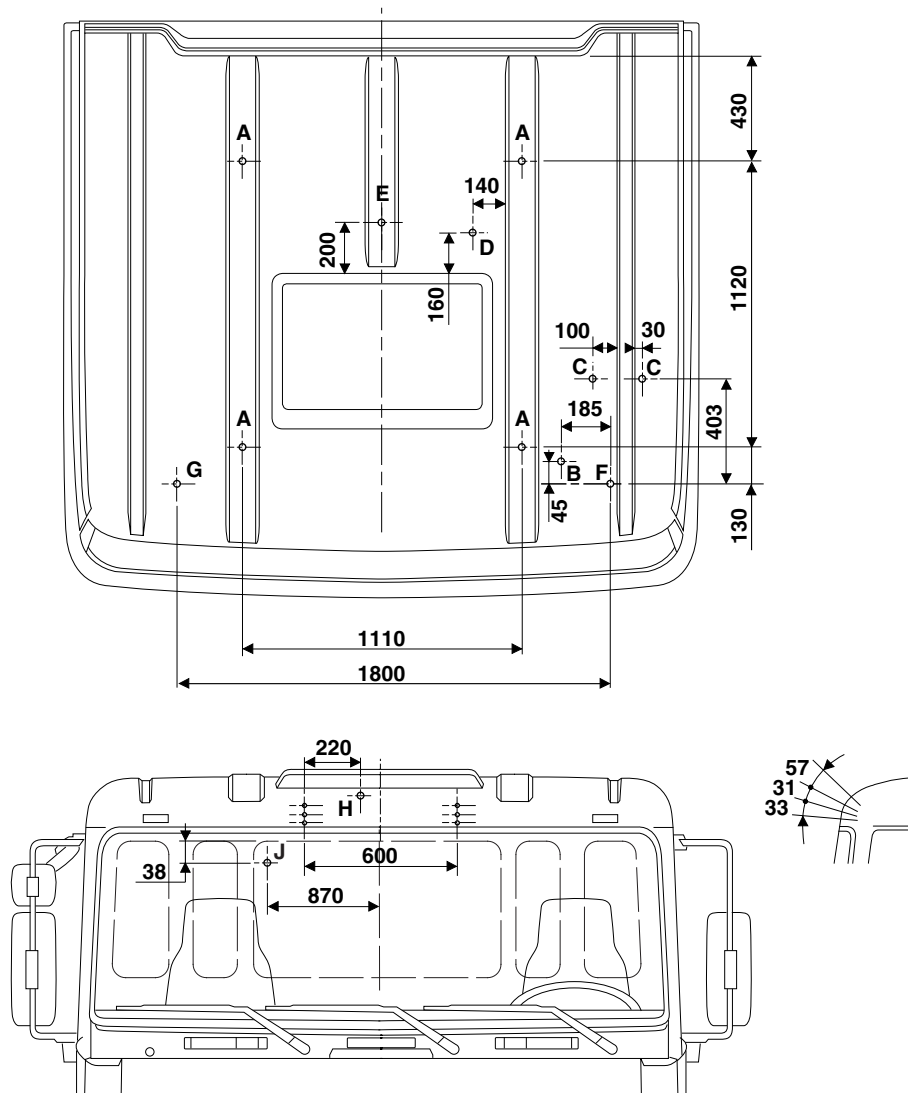
CF day and sleeper cabs



A: roof spoiler mounting points (4x or 6x M10 welded nut)

20090503-020

XF Comfort cab



LHD version drawn

G000396

- A: roof spoiler
- B: wire lead-through hole for rotating beam ⁽¹⁾
- C: air hose lead-through hole for air horn ⁽¹⁾
- D: satcom aerial (satellite communication)
- E: aerial (MAUT - Toll Collect) ⁽¹⁾ ⁽²⁾
- F: combi aerial (Radio & GSM & GPS) ⁽¹⁾ ⁽²⁾
- G: combi aerial, (Radio & GSM & GPS) ⁽¹⁾ ⁽²⁾
- H: spotlights ⁽¹⁾
- J: CB aerial ⁽²⁾ (against cab rear wall)

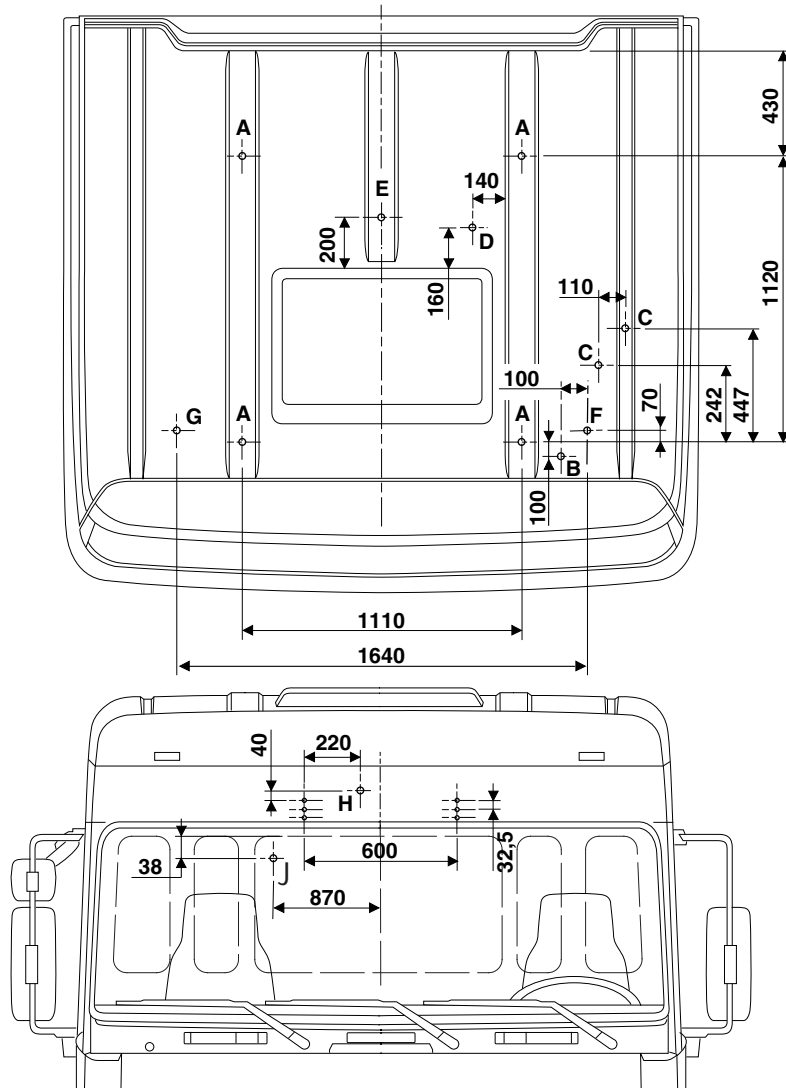
(1) RHD mirror image

(2) Hole = rectangular cut out of 15 x 15 mm (from May 2004 onwards)

BODYBUILDERS' GUIDELINES

Cab information

XF Space cab



G000397

LHD version drawn

- A: roof spoiler
- B: wire lead-through hole for rotating beam ⁽¹⁾
- C: air hose lead-through hole for air horn ⁽¹⁾
- D: satcom aerial (satellite communication)
- E: aerial (MAUT - Toll Collect ⁽¹⁾ ⁽²⁾)
- F: combi aerial (Radio & GSM & GPS) ⁽¹⁾ ⁽²⁾
- G: combi aerial (Radio & GSM & GPS) ⁽¹⁾ ⁽²⁾
- H: spotlights ⁽¹⁾
- J: CB aerial ⁽²⁾ (against cab rear wall)

(1) RHD mirror image

(2) Hole = rectangular cut out of 15 x 15 mm (from May 2004 onwards)

5.4 SETTING THE ROOF SPOILER

To improve the aerodynamics of a vehicle which has a superstructure higher or wider than the cab, DAF developed roof spoilers with extensions and rear air foils for all its vehicles.

The use of these spoilers can reduce fuel consumption considerably, but the quantity of fuel saved is highly dependent on the number of aerodynamic aids fitted, the shape of the superstructure and the driving conditions.

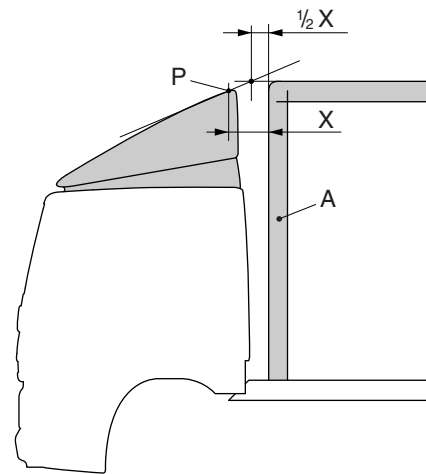
A correct roof spoiler height is always essential. It can be established as follows:

- Determine the symmetry line of the vehicle. Place a slat on the roof of the superstructure. It should protrude from the superstructure roof in the direction of the cab.
- Place a second slat, as a tangent, on the top edge of the roof spoiler (P). It should point in the direction of the superstructure.
- The intersection point of the two slats should be at the middle of the distance between the roof spoiler edge and the front end of the superstructure.

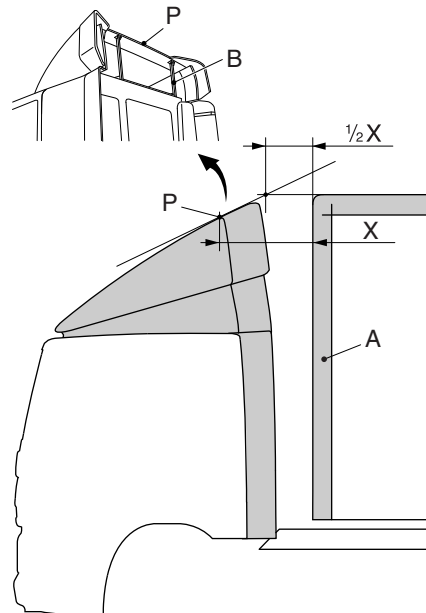
This setting procedure applies to roof spoilers with and without extensions and also to the basic roof spoiler, the larger part of which has an open construction.

The desired roof spoiler height can be set using setting device (B). See the table below for the setting range of the roof spoilers for the various cab versions.

Setting range for 'aerodynamic' roof spoiler [mm]



20090503-026



22032802-026

LF	CF	XF	(1)
540 - 770	760 - 1040	nvt	Day cab
540 - 770	760 - 1060	630 - 810	Sleeper Cab (LF-CF) Comfort Cab (XF)
-	215 - 340	370 - 515	Space Cab

(1) Distance measured between the top edge of the roof spoiler (P) and the vehicle centre line on the cab roof panel.

Adjustments can be made in steps of:

- 45.5 mm (7x) for CF day/sleeper cab
- 26 mm (5x) for the CF SpaceCab
- 36 mm for the XF cab (4x for SpaceCab, 5x for Comfort cab).

BODYBUILDERS' GUIDELINES

Cab information

The non-adjustable aerodynamic roof spoilers for the day and sleeper cabs of the LF vehicle series have a fixed height of either 600 mm (day cab only), 900 mm or 1100 mm.

Basic roof spoiler

Setting range for basic roof spoiler [mm]

Series	Day and sleeper cabs ⁽¹⁾
LF	560 to 800
CF	525 to 775

(1) Distance measured between the top edge of the roof spoiler (P) and the vehicle centre line on the cab roof panel.

Mounting instructions are supplied with the DAF roof spoilers or can be found in the RAPIDO documentation system.

5

Shape of the superstructure

In addition to the improvement that can be achieved with aerodynamic aids on the cab, a substantial reduction in air drag can be realised by a superstructure with rounded corners (A) and/or side skirts.

The reduction in air drag results from a 'better' flow of air from roof spoiler and/or rear air foils to the front of the superstructure, and also from a reduced vacuum at the rear of the superstructure (provided there are rounded corners there, too). The feasible reduction in fuel consumption is always dependent on the (aerodynamic) shape of the superstructure and the vehicle's driving conditions.

PTO AND OTHER ENERGY CONSUMERS

	Page	Date
6.1 General	154	200849
6.2 Power take-offs (PTO's)	156	200849
6.3 PTO specification, general	157	200849
6.4 Clutch-independent PTO	164	200849
6.5 Clutch-dependent PTO	171	200849
6.6 First PTO	172	200849
6.7 Second PTO	183	200849
6.8 Transfer box	184	200849
6.9 PTO operation	185	200849
6.10 Compressed air system	186	200849
6.11 Air feed, tipper preparation	189	200849
6.12 Heating system	190	200849

BODYBUILDERS' GUIDELINES

PTO and other energy consumers

6

6. PTO AND OTHER ENERGY CONSUMERS

BODYBUILDERS' GUIDELINES

PTO and other energy consumers

6.1 GENERAL

The vehicles of the DAF range can be supplied with the following gearboxes.

Overview of ZF ⁽¹⁾ gearboxes							
Type	Ratios	LF45	LF55	CF65	CF75	CF85	XF105
S5-42	4.65 - 0.77	■					
	5.72 - 0.76	■					
6S700	6.02 - 0.79	■					
6S800	6.58 - 0.78	■	■	■			
6S1000	6.75 - 0.78	■	■	■			
6AS700	6.02 - 0.79	■					
6AS800	8.63 - 1.00	■					
	6.58 - 0.78	■	■				
6AS1000	6.75 - 0.78	■	■	■			
9S1110	12.73 - 1.00				■		
	9.48 - 0.75				■		
9S1310	9.48 - 0.75				■		
8S1620	13.80 - 1.00				■		
16S1620	16.41 - 1.00				■		
8S1820	11.54 - 0.84				■	■	
16S1820	13.80 - 0.84		■			■	
16S1920	16.41 - 1.00					■	
16S2020	16.41 - 1.00					■	■
8S2220	11.54 - 0.84					■	
16S2220	13.80 - 0.84					■	■
16S2320	16.41 - 1.00					■	■
16S2520	13.80 - 0.84					■	■
12AS1220	12.79 - 1.00				■		
12AS1420	12.79 - 1.00				■		
	10.37 - 0.81				■		
12AS1620	10.37 - 0.81				■		
12AS1630	15.86 - 1.00				■		
12AS1930	15.86 - 1.00					■	
	12.33 - 0.78				■	■	
12AS2130	15.86 - 1.00					■	■
	12.33 - 0.78					■	■
12AS2330	15.86 - 1.00					■	■
	12.33 - 0.78					■	■
12AS2530	12.33 - 0.78					■	■
12AS2540	15.86 - 1.00					■	■
	12.29 - 0.78						■
16AS2630	14.12 - 0.83						■

- (1) Criteria for selecting the gearbox are the type of vehicle, engine output, rear axle (ratio) and possibly the specific application. ZF offers several versions, which on the basis of these criteria are used in DAF's different vehicle series. Always check what specific gearbox version is fitted and what range of ratios it has, for instance by referring to the type indication plate on the gearbox.

Overview of gearboxes							
Type	Ratios	LF45	LF55	CF65	CF75	CF85	XF105
ALLISON gearbox							
2500 Series	3.51 - 0.74	■					
3000 Series	3.49 - 0.75		■	■	■		
	3.49 - 0.65				■		
3200 Series	3.49 - 0.75				■		
	3.49 - 0.65				■		
3500 Series	4.59 - 0.75				■		
	4.59 - 0.65				■		
EATON gearbox							
6309	12.57 - 1.00		■	■			
	9.40 - 0.75		■				
8309	12.57 - 1.00		■	■			

Note:

On the vehicles of the **LF, CF and XF series**, the centre line of the gearbox **coincides with** the centre line of the vehicle.

Note:

The description used in Sprint differs from the description used by the gearbox suppliers.

ZF gearboxes

The first digit(s) indicate the number of gears, 6 - 8 - 9 - 12 or 16 speed

The following letter(s) indicate S = manual gearbox, and AS = AS-Tronic gearbox.

The remaining four digits indicate the gearbox series

Eaton gearboxes

The first two digits indicate the gearbox series.

The last two digits indicate the number of gears, 6 or 9 speed

Allison gearboxes

5-speed automatic with overdrive ratio 0.75:1

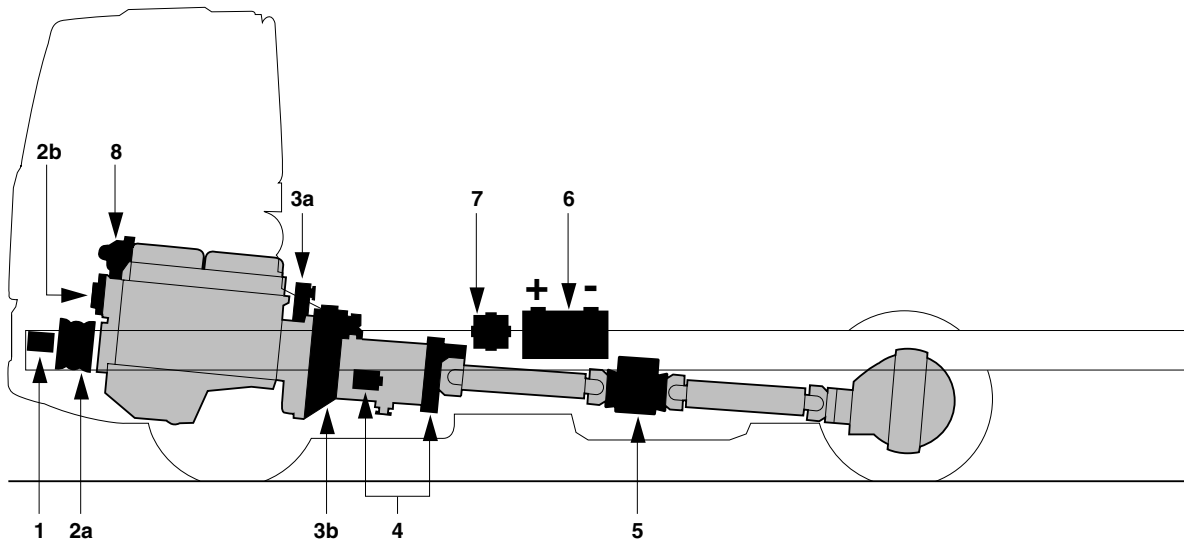
6-speed automatic with overdrive ratio 0.65:1

BODYBUILDERS' GUIDELINES

PTO and other energy consumers

6.2 POWER TAKE-OFFS (PTO'S)

When energy required for the superstructure is taken from the vehicle, a PTO is used in most cases. Furthermore, there are various possibilities for connections to, for instance, the electrical system of the vehicle. DAF vehicles can ex-works be supplied with provisions for various extra energy consumers. The following provisions are supplied by DAF or can after delivery be added by the bodybuilder.



G000293

- 1 = Front-end PTO, direct (LF series only)
- 2a = Front-end PTO, indirect, crankshaft pulley
- 2b = Front-end PTO, indirect, generator-driven
- 2c = Front-end PTO, indirect, for hydraulic pump
- 2d = Front-end PTO, indirect, coolant pump pulley
- 3a = DAF engine PTO
- 3b = Flywheel PTO (ZF)
- 4 = Gearbox PTO
- 5 = Transfer case PTO
- 6 = Electrical system connection
- 7 = Compressed air system connection
- 8 = Engine cooling system connection

Note:

For electrical system connections, see chapter 7: "Electrical system".

Type of superstructure/energy supply matrix

Application	Energy suppliers											
	1	2a	2b	2c	2d	3a	3b	4	5	6	7	8
Air conditioning		■			■					■		
Vehicle loading crane								■				
Concrete mixer	■					■						
Concrete pump	■					■	■	■	■			
Bulk compressor								■				
Demountable body system								■				

Energy suppliers												
Application	1	2a	2b	2c	2d	3a	3b	4	5	6	7	8
Generator (alternator)		■	■					■				
High-pressure pump						■	■	■	■			
Hydraulic platform		■						■				
Compactor	■					■		■				
Tipper								■				
Refrigerated/deep-frozen transport		■	■	■	■	■						
Gully emptier	■					■	■	■				
Tail lift										■		
Winch								■		■		
Air consumers											■	
Superstructure heating	■											■
Tanker (for example milk tanker)								■				
Water tender (fire service)							■	■	■			

- 1 = Front-end PTO, direct (LF series only)
- 2a = Front-end PTO, indirect, crankshaft pulley
- 2b = Front-end PTO, indirect, generator-driven
- 2c = Front-end PTO, indirect, for hydraulic pump
- 2d = Front-end PTO, indirect, coolant pump pulley
- 3a = DAF engine PTO
- 3b = Flywheel PTO (ZF)
- 4 = Gearbox PTO
- 5 = Transfer case PTO
- 6 = Electrical system connection
- 7 = Compressed air system connection
- 8 = Engine cooling system connection

6.3 PTO SPECIFICATION, GENERAL

When selecting a PTO, the operating conditions, such as the torque to be transmitted, the engine speed, the direction of rotation of the engine, the duration and frequency of operation, play an important role, as do the occurrence of fluctuating (peak) loads, vibrations and high initial torques.

Another important criterion is whether or not the PTO can or may be **clutch-dependent**. For gearbox PTO's are often preferred because of their price, location and the large number of ratios, which makes them suitable for many applications. DAF also offers engine-dependent PTO's, with connections to the crankshaft on the front (front-end PTO), or to the flywheel housing at the rear (DAF engine PTO or ZF/NMV). An engine-PTO is **clutch-independent** and is mostly used to drive auxiliary units that are operated during driving or shunting. In this section, both PTO types will be dealt with.

BODYBUILDERS' GUIDELINES

PTO and other energy consumers

If the auxiliary consumer requires high torques, it should be checked whether the engine is capable of delivering the power required at the speed specified. The loss of efficiency between the engine and the auxiliary consumer should also be taken into account.

Finally, various versions are available with an output DIN flange or a pump connection, suitable for direct mounting of a hydraulic pump according to ISO standard 7653 (type D).



Engine and driveline must not be impeded in their movements as a result of the installation of a PTO and the auxiliary consumers driven by it.

Conditions for use

Engaging of in particular gearbox PTO's should be done while the vehicle is stationary and the engine running at idling speed. After depressing the clutch pedal, wait about 2 to 3 seconds until the gearbox countershaft has fully stopped moving, before engaging the PTO. Gear wheel rattle should always be avoided. After engine speed has been increased to 1000 rpm, you can slowly release the clutch pedal. Minimum engine speed during PTO operation: 1000 rpm.

Vehicles with an AS-Tronic gearbox have an electronic controlled (automatic) engaging procedure which operates according a factory or customer defined parameter setting (software).

Permissible power take off for engine PTOs in combination with an AS-Tronic gearbox is 10% of the engine power with a maximum of 32kW.

As soon as the PTO and pump have definitively been selected, the maximum power take-off can be calculated on the basis of the torque and power calculation. PTO's can roughly be divided into three classes, namely light, medium and heavy, for short-lasting or intermittent use to continuous operation. See the table below.

Class	Nominal torque T [Nm]	Periods of use ⁽¹⁾
Light	$T < 400$	Intermittent
Medium	$400 < T < 1000$	Continuous
Heavy	$T > 1000$	Continuous

(1) See PTO tables

On the basis of the power requirements and the effective PTO operating time, the PTO selected should be a medium-class PTO (rather than a light-class PTO) if one of the following factors applies:

- Periods of prolonged use; allow for the possibility of gearbox oil temperatures running up too high.
- Shock loads (generally caused by incorrect operation); risk is reduced when a hydraulic drive is used.
- Vibrations; a correct PTO drive can keep vibrations within reasonable limits.
- Extremely high initial torques, due, for example, to the mass inertia of the driven equipment.

Protection

The maximum take-off torques specified for the PTO's supplied by DAF, are based on uniform (vibration-free, non-shock) loads without the occurrence of axial forces. **The maximum initial torques must never be higher than 2 times the value specified in the PTO specifications.** If higher torques may occur, an overload protection device must be mounted in the driveline, in the form of a slipping clutch or a security flange. Furthermore, the clutch should have extra protection to prevent the PTO from being engaged too early. With such protection, the clutch pedal must be fully engaged before PTO operation is enabled. According to the cut-in conditions of the VIC (see section 7.21: 'PTO control/protection'), the VIC only checks whether the clutch pedal has been 'touched' or not. If an N/10 PTO is ordered ex-works, the full clutch protection is always included. Further information can be obtained from DAF.

For the ZF gearbox PTO's the maximum torque specifications in the overviews have been calculated at a PTO speed of 1500 rpm for a nominal service life of 500 hours.

Oil temperature

During prolonged PTO operation, the gearbox oil temperature must not rise above 110°C. Temperatures up to 130°C are permissible for brief periods (max. 30 minutes). If necessary (check to be sure!), an extra oil cooler should be fitted on the gearbox. In such cases, consult DAF.

Torque and output calculation

- PTO selection

To be able to select the right PTO, it is necessary to calculate the drive torque (I) on the basis of the desired PTO speed (II) and the required effective output (III), assuming that these data of the driven equipment are known:

BODYBUILDERS' GUIDELINES

PTO and other energy consumers

- Pump selection

For the selection of the right pump for a hydraulic drive, it is first important to determine the effective pump output (P_e) on the basis of the required pump delivery (IV), the system operating pressure (V) and the efficiency (III).

Subsequently, the PTO drive torque (I) can be calculated for the selection of the PTO on the basis of the above-mentioned data:

Where:

n_{pto}	= rpm of power take off unit	$[\text{min}^{-1}]$
n_{en-}	= rpm of truck engine	$[\text{min}^{-1}]$
gine		
rev	= revolution of hydraulic pump shaft	
i	= PTO reduction ratio	[-]
M	= PTO drive torque	[Nm]
P_n	= calculated nominal output	[kW]
P_e	= required effective output	[kW]
C	= specific pump capacity	$[\text{cm}^3/\text{rev}]$
Q	= actually required delivery	$[\text{l}/\text{min}]$
p	= hydraulic system operating pressure	[bar]
η	= efficiency: $\eta = \eta_1 \times \eta_2 \times \eta_3 \dots$ etc.	[-]

$$M \text{ [Nm]} = \frac{P_e \text{ [kW]} \times 9552}{n_{pto} \text{ [min}^{-1}]} \quad \text{(I)}$$

$$n_{pto} \text{ [min}^{-1}] = i \text{ [-]} \times n_{engine} \text{ [min}^{-1}] \quad \text{(II)}$$

$$P_e \text{ [kW]} = P_n \text{ [kW]} / \eta \text{ [-]} \quad \text{(III)}$$

$$Q \text{ [l/min]} = \frac{C \text{ [cm}^3/\text{rev}] \times n_{pto} \text{ [min}^{-1}]}{1000} \quad \text{(IV)}$$

$$P_n \text{ [kW]} = \frac{Q \text{ [l/min]} \times p \text{ [bar]}}{600} \quad \text{(V)}$$

G000354

Speed Factor

If the calculated load is higher than the maximum permissible load, sometimes a lower-capacity pump is specified. By using a higher-speed PTO with a higher speed factor, and/or a higher engine speed, in general the same delivery and power take-off can be realised, however at a proportionally lower PTO drive torque.

Direct pump mounting

For all gearbox PTO applications where the pump is flange-mounted on the PTO, the following limitation applies, unless stated otherwise in the PTO overviews:

The static moment resulting from the pump weight on the both pump connections on the N.../10 PTO mating surface should in general **not exceed 30 Nm**. For the ZF PTO, types NL/1c, NH/1c, NL/4c and NH/4c the maximum permissible static moment is 50 Nm.

The maximum static moment resulting from the pump weight on the DAF PR Engine PTO mating surface is 40 Nm. The static moment on the MX engine PTO surface is 50 Nm. Allison gearboxes the maximum allow a static moment of 40 Nm.

In some cases, the pump dimensions prove to be restricted by the diameter of the drive flange in combination with the location of the countershaft in the gearbox (which determines the location of the PTO). The clearance between pump and drive flange (or shaft) should therefore always be checked.

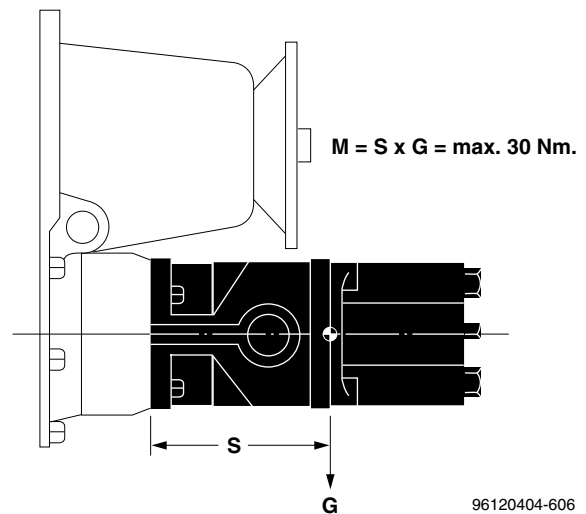


Incorrect use of the hydraulic system (for instance at unduly high revs) may cause damage to the hydraulic pump and subsequently to the gearbox.



The pump shaft should therefore be provided with a high temperature-resistant double seal, with a bleed hole between the two seals, to prevent gearbox oil being sucked in or hydraulic oil getting into the gearbox. Note: this is one of the reasons why DAF no longer uses ZF PTO type N/2c!

In some cases the mounting of a so-called pump adapter is recommended. This adapter is provided with a separate PTO seal and a bleed hole (take note of the higher static moment). The ZF N.../4 PTO has a separate pump bearing, so that in that case the mounting of an adapter is not necessary. At any rate, the pump supplier's instructions should always be consulted.



Maximum torque on direct pump connection

BODYBUILDERS' GUIDELINES

PTO and other energy consumers

Drive shafts

The angles formed by the drive shaft couplings between PTO and auxiliary consumer should be equal to each other and should not exceed the following maximum values:

- maximum of 6 degrees for front-end PTO's
- maximum of 8 degrees for all other PTO's

The shafts must be installed in such a way that uniform running of the driven equipment is ensured. This calls for a Z or W arrangement of the shafts. Excessively large drive shaft angles or PTO drive resonance may cause serious vibration far above the calculated (nominal) torques. In case of doubt, tests should always be made before a particular application can be guaranteed.

When the shaft angles (α_1 and α_2) differ from each other, non-uniformity (α_R) will be higher than in the optimum situation, when $\alpha_1 = \alpha_2$. Non-uniformity can be calculated with the formula:

$$\alpha_R = \sqrt{|\alpha_1^2 - \alpha_2^2|}$$

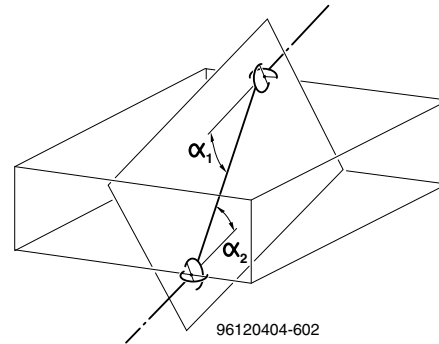
SE0008

where α_R (permissible) $\leq 3^\circ$.

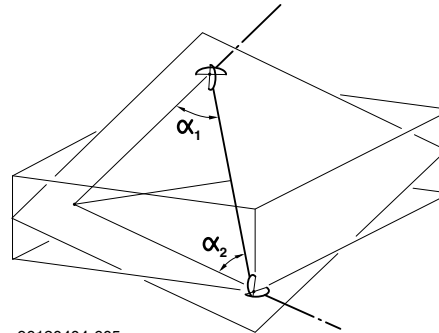
The tools represented by the opposite drawings can be used for the correct alignment of the drive shafts. The sliding joint of the drive shaft on the gearbox should permit a forward movement of at least 8 mm and a rearward movement of at least 5 mm.



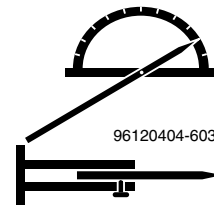
Ensure that freely accessible drive components are always carefully screened off. Rotating shafts may cause serious injury! Switch OFF the engine before starting operations on the PTO or the PTO drive.



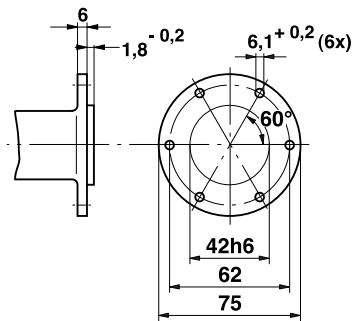
Z arrangement



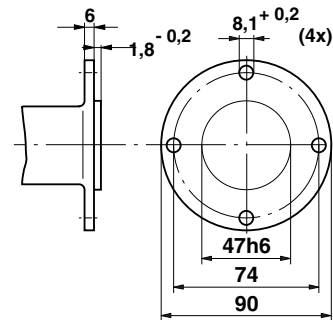
W arrangement



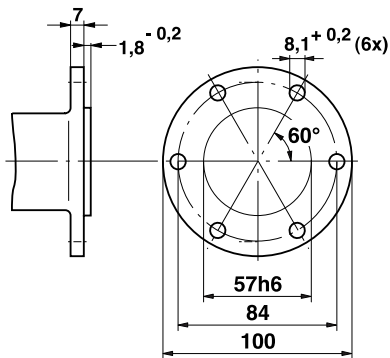
- PTO connections



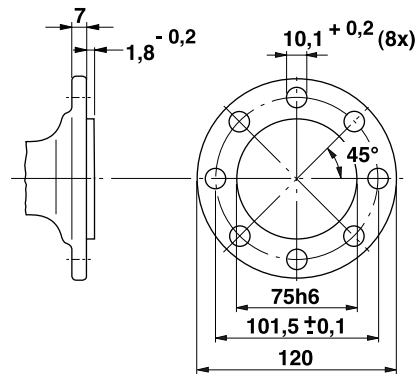
20070604-031



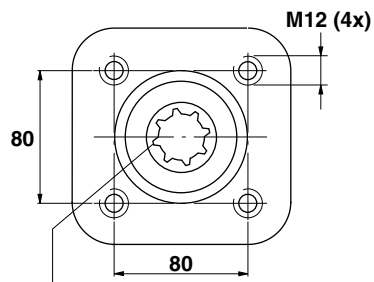
20070604-032



20070604-030



20070604-029



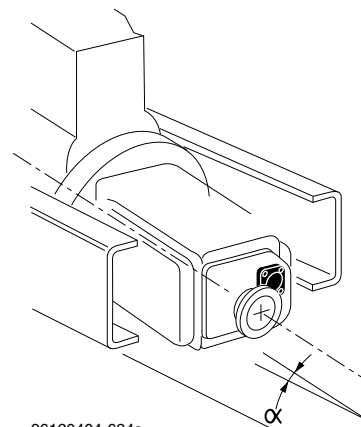
SPLINES 8 x 32 x 36 ISO 14

G000451

Position of engine in the chassis

The angle at which the engine is positioned in the chassis in relation to the chassis side members, designated as: $\angle \alpha$ in the opposite figure, should be:

- LF45/55 and CF65 Series: $\angle \alpha = 3.5^\circ$
- CF75/85 Series: $\angle \alpha = 4.5^\circ$
- XF Series: $\angle \alpha = 4.5^\circ$



96120404-624a

BODYBUILDERS' GUIDELINES

PTO and other energy consumers

Direction of rotation of the engines

The direction of rotation of the crankshaft of DAF and Cummins engines is always **anti-clockwise**, viewed looking towards the rear of the engine.

6.4 CLUTCH-INDEPENDENT PTO

Front-end PTO, direct

The table below shows the most relevant data with regard to the direct front-end PTO for the LF45 and LF55 vehicle series.

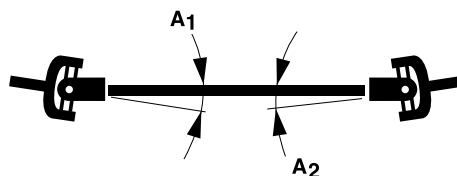
Specifications for front-end PTO, direct		
	LF45	LF55
Angle of engine in relation to chassis side members	3.5°	3.5°
Maximum angles of drive shaft	2 x 6°	2 x 6°
Maximum transmitted torque	250 Nm	250 Nm
Maximum transmitted power	40 kW	40 kW
Maximum added mass inertia	0.2 kgm ²	0.2 kgm ²
Maximum unbalance	100 gmm/kg	100 gmm/kg



Any modifications made to bumper or cab tilting system to enable a pump to be mounted, are subject to approval from DAF.

BODYBUILDERS' GUIDELINES

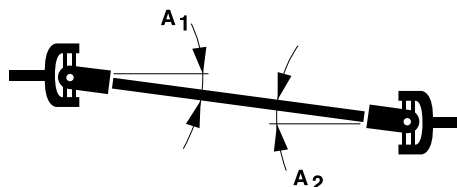
PTO and other energy consumers



$$A_1 = A_2 = \text{max. } 6^\circ$$

96120404-608

W arrangement of drive shaft



$$A_1 = A_2 = \text{max. } 6^\circ$$

96120404-607

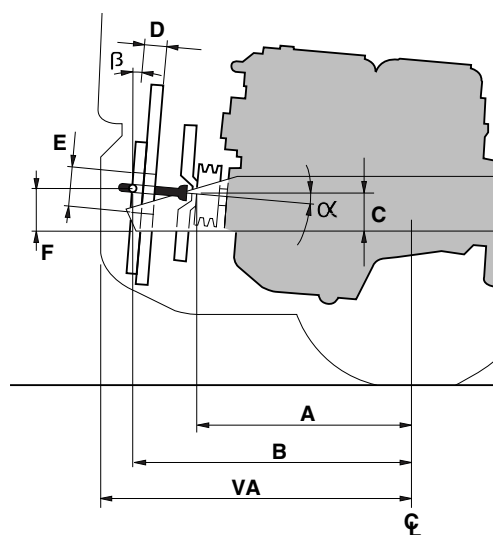
Z arrangement of drive shaft

Installation dimensions, front-end PTO, direct

Based on SAE J1946

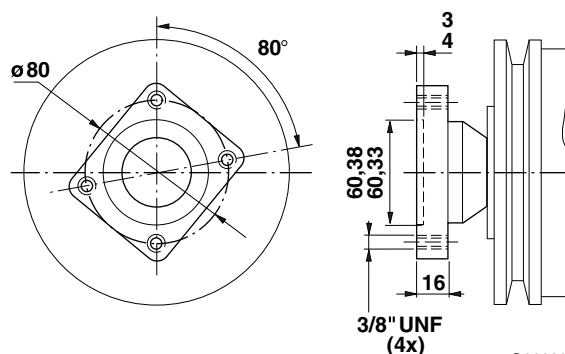
Flange location, front-end PTO, direct			
Dimensions: (see figure)	LF45	LF55 12 - 15t	LF55 18 - 19t
Dimension VA	1275	1325	1375
„ A ⁽¹⁾	446	496	636
„ ⁽²⁾	536	586	636
„ B	932	982	1032
„ C ⁽¹⁾	91	131	136
„ ⁽²⁾	96	136	136
„ D	145	145	145
„ E	170 x 150	170 x 150	170 x 150
„ F	120	160	160
∠ α	3.5°	3.5°	3.5°
∠ β	3.5°	3.5°	3.5°

- (1) FR engines
(2) GR engines



96120404-611

Flange location dimensions, front-end PTO, direct



G000290

Flange dimensions, front-end PTO, direct, LF Series

BODYBUILDERS' GUIDELINES

PTO and other energy consumers

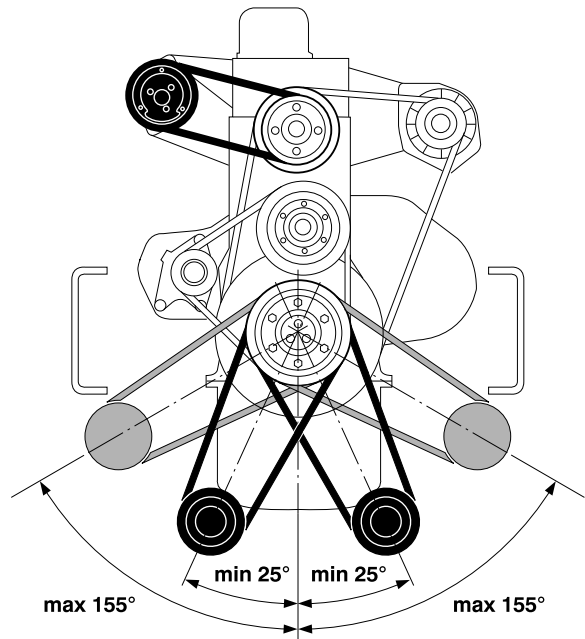
Front-end PTO, indirect

Specifications for front-end PTO, indirect				
Vehicle series	LF and CF65	CF75 with airco	CF75	CF85 and XF
Maximum power take-off via coolant pump [kW]: - at engine idling speed - at maximum engine speed	- -	- -	2.2 6	- -
Maximum power take-off via crankshaft pulley [kW]	15	50	50	50
Maximum added mass inertia [kgm ²]	0.2	0.03	0.03	0.05
Maximum unbalance [gmm/kg]	100	125	125	125
Maximum distance between most forward pulley and front of cylinder block [mm]	150	180	180	200
Misalignment (max. 4 mm)	1:120	1:120	1:120	1:120

Any modifications made to engine and chassis are subject to approval from DAF.

- Crankshaft pulley

A twin-belt pulley on PR engine or triple belt pulley on MX engine for driving a compressor, alternator or hydraulic system pump can be fitted to the crankshaft by the bodybuilder. A drawing of the pulley is available from DAF. When this pulley is fitted, the fan will in most cases be moved forward. This should be compensated for. A twin belt pulley is available to FR and GR engines ex-factory.



96120404-615

Positions of power take-offs

	LF45 - LF55 - CF65	CF75	CF85
Pulley diameter	310 mm	300 mm	265 mm
Number of grooves	2 x SPA / XPA	2 x DIN7753-AV13	3 x DIN7753-AV13

Before a crankshaft pulley is fitted, the mounting face on the vibration damper must be completely flat and clean. So any traces of paint should be removed. The belt pull must **not** run parallel to the motion of the pistons but must be in the area left and right of the engine indicated in the drawing below.

- Coolant pump pulley

On CF75-85 and XF vehicles without air conditioning system, one coolant pump pulley is available for the drive of an auxiliary user. For maximum power take-offs, see the overview.

- Preparation for generator

In particular for temperature-controlled transport, the CF85 and XF Series can be prepared ex-works for the use of a generator. In such cases the vehicle has:

- an extra crankshaft pulley,
- an adapted oil sump to make room for a generator and
- two shorter oil filters instead of the standard oil filter.

Within the room available, a reduction ratio of 1:2 can be realised. This results in a maximum generator capacity of 24 kVA. Because of the wide variety of generators and cooling motors, DAF does not supply the complete equipment. The bodybuilder will therefore have to complete the equipment, taking account of the following guidelines:

- V-belt tension: 500 - 600 N for CF85 and XF Series, 600 - 700 N for CF75 Series (per belt)
- extra vibration dampers must be fitted, using the existing hole pattern on the engine bracket.

If this option is not ordered ex-works, the vibration damper mounting hub must be replaced.

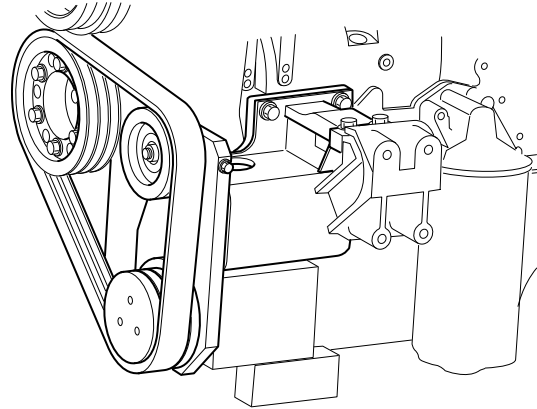
	CF75	CF85 - XF Serie
Pulley diameter	300 mm	265 mm
Number of grooves	2 x SPA / XPA	3 x SPA / XPA
Recommended V-belt	OPTIBELT SPA - 13 or OPTIBELT XPA - 13	OPTIBELT SPA - 13 or OPTIBELT XPA - 13

BODYBUILDERS' GUIDELINES

PTO and other energy consumers

- Preparation for hydraulic pump

For the PR and MX engine, an engine bracket with a standard ISO pump connection is available for the fitting of a hydraulic pump. The bracket is provided with a pulley and a belt tensioner. The pulley is driven from a pulley on the crankshaft.



20090503-037

Technical data:

- Maximum power take-off: 50kW
- Reduction ratio: 1 : 1
- Belt tension first assembly: 1500N.
Belt tension to be checked after 30 min.
750N min. - 950N max.
- Pump connection according ISO 7653,
splines according ISO14 - 8x32x36
- Modified oil sump

DAF engine PTO

The DAF engine PTO for the CF75 and CF85 series is a **clutch-independent PTO**. It was specially developed to drive superstructure equipment which requires medium-high outputs and is used for most of the driving hours and/or for a high number of operating hours when the vehicle is stationary.

The tables show the specifications and the locations for connecting this PTO. The engine PTO protrudes above the chassis members. So make sure that the PTO itself, the drive shafts and the hydraulic pump do not get in the way of parts of the chassis, the sub-frame or the superstructure.

6

DAF engine PTO specifications						
Vehicle type	Speed as a percentage of engine speed		Maximum torque [Nm/min ⁻¹]		Maximum output [kW/min ⁻¹]	
	Anti clock-wise ⁽¹⁾	Clockwise ⁽¹⁾				
CF75 series	-	93.2	990/1600	600/1600	150/2300	90/2300
	141.2	-	660/1600	400/1600	150/2300	90/2300
CF85 series	-	-	-	-	-	-
	120	-	800/1500	530/1500	150/1800	90/1800
Operating hours			1200	5500	1200	5500

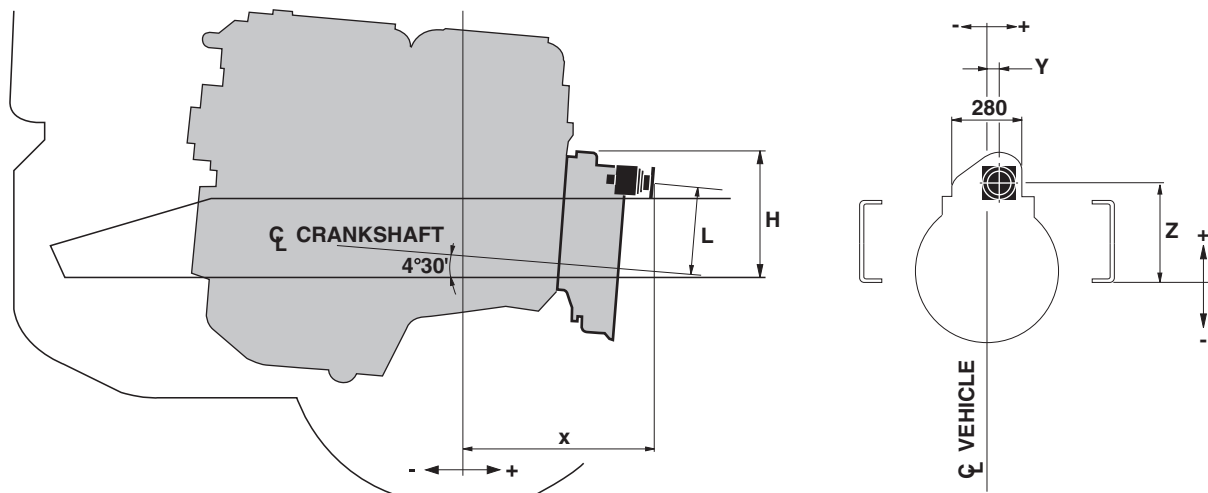
(1) Viewed looking towards the rear of the engine

The speed data under 'Maximum torque' and 'Maximum output' refer to the engine speed. With released clutch a torque of about 13Nm will remain on the PTO output due to internal friction.

Switch on conditions CF85 engine PTO:

The switch on/off conditions are controlled by the BBM

Max. power 85kW
 Min. engine speed: 650 RPM
 Max. engine speed: 1000 RPM
 Vehicle speed under 50 km/h



G000641

Locations for engine PTO connections						
Chassis type	Connection	Location				
		X	Y	Z	H	L
CF75 series	Flange Direct	651	40	367	493	347
		593		372		
CF85 series	Flange Direct	653	139	339	450	320
		612		343		

Engine PTO connections

The engine PTO is available with:

- DIN 120 flange, 8-hole
- DIN 100 flange, 6-hole
- ISO 7653 (direct) pump connection.

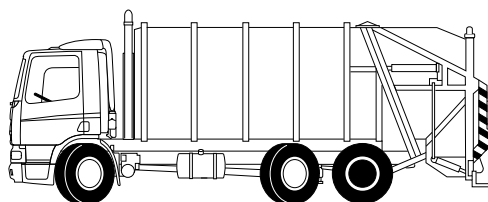
The maximum added mass inertia for this DAF engine PTO is 1.6 kgm².

Engine PTO control

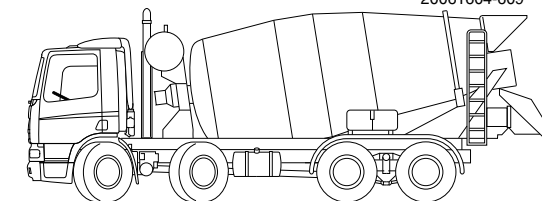
Engine PTO control, including a safeguard against **engaging** the PTO while the engine is running, is available on request.



The CF75 engine PTO must only be engaged when the engine is NOT running.



20061604-609



22032802-042

BODYBUILDERS' GUIDELINES

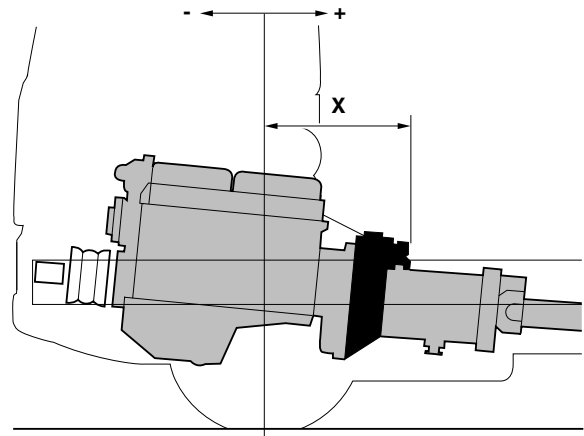
PTO and other energy consumers

Flywheel PTO (NMV) only available with POV

Vehicle series	Gearbox	PTO types	Speed factor	Maximum torque [Nm]	Flange location			Note
					X	Y	Z	
CF75	16S1800 TO	NMV221	0.98	2000	913	38	304	(1) (2) (3) (4)
			1.55	1300				(1) (4) (5)
CF85	16S2200 TO 16S2500 TO		0.98	2000	1032	38	294	(1) (2) (4)
			1.55	1300				(1) (4) (5)

- (1) Flange, diameter 150 mm, 8-hole, 130 mm pitch
- (2) Service life of PTO at maximum torque: approx. 2000 operating hours
- (3) Maximum initial speed 2000 rpm
- (4) Maximum torque during continuous operation at engine speed of 1500 rpm
- (5) Service life of PTO at maximum torque: approx. 1500 operating hours

- An operating speed between 800 and 1000 RPM requires a minimum moment of inertia of 0,3 Kgm².
- In case the moment of inertia is unknown the operating engine speed should be over 1200 RPM.
- Permitted initial torque: $T_s = 1600 \text{ Nm}$.

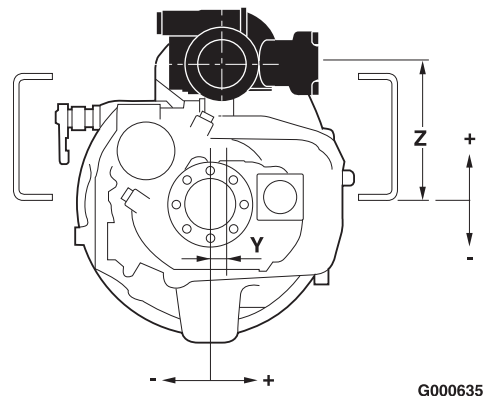


Location of flange of flywheel PTO.

Direction of rotation is anti-clockwise, viewed looking towards the rear of the gearbox. During prolonged heavy use of the flywheel PTO, the gearbox oil temperature must not rise above 110°C. To ensure that this condition is met, an air cooler or oil cooler may be necessary.

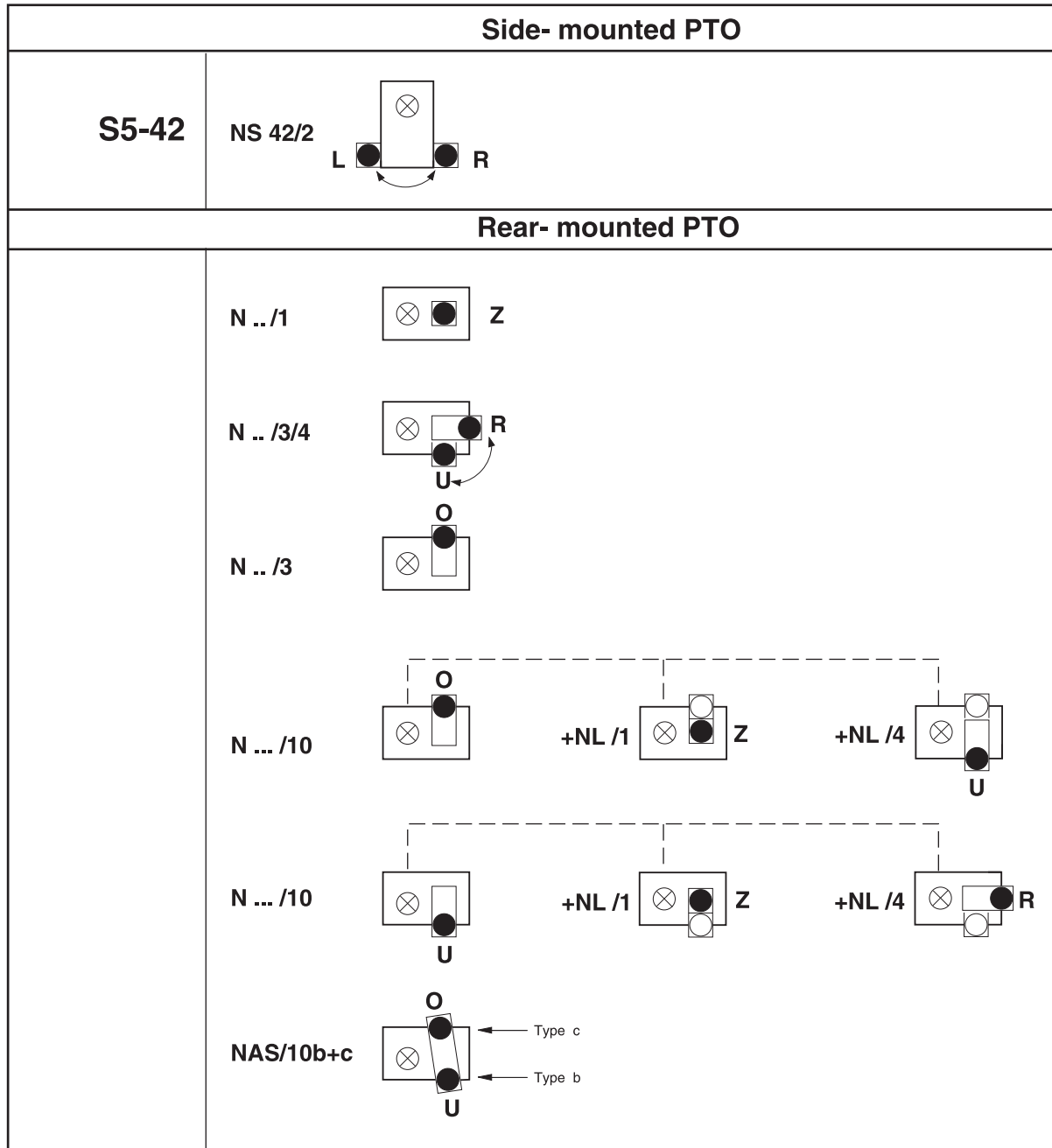
The flywheel PTO can be engaged and disengaged by using a multiple disc clutch (fitted as standard) while the engine is running.

When this PTO is disengaged, a residual torque of approx. 11 Nm (engine speed 1300 rpm and oil temperature 40°C) continues to act on the drive shaft. If necessary, a disc brake can be fitted on the drive shaft.



6.5 CLUTCH-DEPENDENT PTO

Overview of PTO locations on ZF gearboxes¹⁾



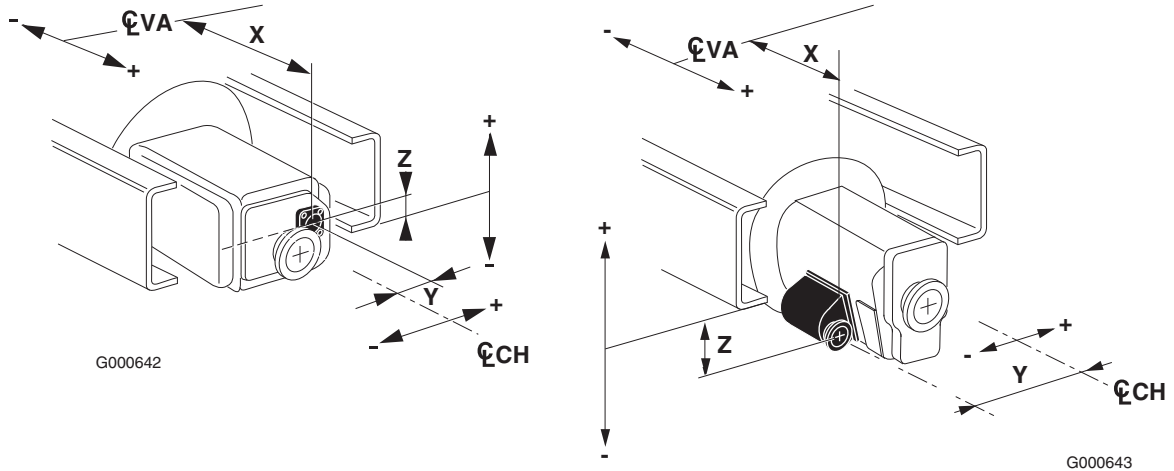
G000448

1) The designations of the PTO locations (indicated by large black dot) and the direction of rotation refer to the **mounting location of the PTO in the vehicle**, viewed looking towards the rear of the gearbox. These designations have to be used when ordering these PTO's: **Z**=Centre, **R**=Right, **U**=Under, **O**=above and **L**=Left in relation to the countershaft in the gearbox.

BODYBUILDERS' GUIDELINES

PTO and other energy consumers

PTO flange position on gearbox



PTO flange locations (X, Y and Z dimensions) on gearboxes: VA = front axle centre line / CH = chassis centre line.

6.6 FIRST PTO

6

Manual gearbox - 6 speeds - Overdrive Gearbox 6S700 (6.02 - 0.79)							
Type	Loc.	Direction of rotation	Gear ratio	Speed factor	Maximum torque [Nm]	RAPIDO reference	Notes
NL/1b	Z	clockwise	-	0.57	600		1, 9
NL/1c							2, 9
NL/4b	U	anti-clockwise	32 / 25	0.73	350		1, 10
NL/4c							2, 10

1. PTO type b, with flange diameter 90 mm, 4-hole
2. PTO type c with direct pump connection, ISO 7653
9. Duration of operation, continuous
10. Duration of operation, < 30 min.

Manual gearbox - 6 speeds - Overdrive Gearbox 6S800 and 6S1000 (6.58 - 0.78)							
Type	Loc.	Direction of rotation	Gear ratio	Speed factor	Maximum torque [Nm]	RAPIDO reference	Notes
NH/1b	Z	clockwise	-	0.53	800 (6S800) 1000 (6S1000)	1470367	1, 9
NH/1c						1471088	2, 9
NH/4b	U	anti-clockwise	32 / 25	0.67	350	1471326	1, 10
NH/4c						1470957	2, 10

1. PTO type b, with flange diameter 90 mm, 4-hole
2. PTO type c with direct pump connection, ISO 7653
9. Duration of operation, continuous
10. Duration of operation, < 30 min.

Manual gearbox - 9 speeds - Direct drive Gearbox 9S1110 (12.73 - 1.00)							
Type	Loc.	Gear ratio	Speed factor	Maximum torque [Nm]	RAPIDO reference		Notes
					No ZF-Intarder	With ZF-Intarder	
NH/1b	Z	-	0.72	800	1425376		1, 7, 9
NH/1c					1425399		2, 7, 9
NH/4b	U	32 / 25	0.92	430	1425404		1, 8, 10
		27 / 30	0.65		1425409		
	R	32 / 25	0.92		1425400		
		27 / 30	0.65		1425402		
NH/4c	U	32 / 25	0.92		1425405		2, 8, 10
		27 / 30	0.65		1425410		
	R	32 / 25	0.92		1425401		
		27 / 30	0.65		1425403		
N109/10b	O	44 / 36	0.88	630	1672130	1672125	4, 8, 9
		48 / 32	1.08	530	1672129	1672124	
		53 / 27	1.42	410	1672128	1653590	
N109/10c	O	44 / 36	0.88	630	1672132	1672127	2, 8, 9
		48 / 32	1.08	530	1672131	1672126	

1. PTO type b, with flange diameter 90 mm, 4-hole
2. PTO type c with direct pump connection, ISO 7653
4. PTO type b with flange diameter 100 mm, 6-hole
7. Direction of rotation clockwise
8. Direction of rotation counter clockwise
9. Duration of operation, continuous
10. Duration of operation, < 60 min.

Manual gearbox - 9 speeds - Overdrive Gearbox 9S1110 and 9S1310 (9.48 - 0.75)							
Type	Loc.	Gear ratio	Speed factor	Maximum torque [Nm]	RAPIDO reference		Notes
					No ZF-Intarder	With ZF-Intarder	
NH/1b	Z	-	0.97	800	1425376		1, 7, 9
NH/1c					1425399		2, 7, 9
NH/4b	U	32 / 25	1.24	430	1425404		1, 8, 10
		27 / 30	0.87		1425409		
	R	32 / 25	1.24		1425400		
		27 / 30	0.87		1425402		
NH/4c	U	32 / 25	1.24		1425405		2, 8, 10
		27 / 30	0.87		1425410		
	R	32 / 25	1.24		1425401		
		27 / 30	0.87		1425403		

BODYBUILDERS' GUIDELINES

PTO and other energy consumers

Manual gearbox - 9 speeds - Overdrive Gearbox 9S1110 and 9S1310 (9.48 - 0.75)							
Type	Loc.	Gear ratio	Speed factor	Maximum torque [Nm]	RAPIDO reference		Notes
					No ZF-Intarder	With ZF-Intarder	
N109/10b	O	44 / 36	1.19	630	1672130	1672125	4, 8, 9
		48 / 32	1.45	530	1672129	1672124	
		53 / 27	1.90	410	1672128	1653590	
N109/10c	O	44 / 36	1.19	630	1672132	16772127	2, 8, 9
		48 / 32	1.45	530	1672131	1672126	

1. PTO type b, with flange diameter 90 mm, 4-hole
2. PTO type c, with direct pump connection, ISO 7653
4. PTO type b, with flange, diameter 100 mm, 6-hole
7. Direction of rotation clockwise
8. Direction of rotation counter clockwise
9. Duration of operation, continuous
10. Duration of operation, < 60 min.

6

Gearbox Allison 3000, 3200 (3.49 - 0.75 and 3.49 - 0.65) and 3500 (4.59 - 0.75 and 4.59 - 0.65)						
Type	Loc.	Gear ratio	Speed factor	Maximum torque [Nm]	RAPIDO reference	Notes
277XGFJP-D5XY	R	31 / 41	1.03	405 / 285	1339954	2, 8
277XSFJP-D5XX		39 / 33	1.61	335 / 235	1339952	4, 8
859XGFJP-D5AC		24 / 43	0.76	780 / 550	1604963	4, 8
Permitted maximum torque for intermittent / continuous use (any duty cycle longer than 5 minutes is classed as continuous)						
Permitted maximum torque for fir brigade application is 80% of the intermittent rating						

2. Direct pump connection, ISO 7653
4. Flange, diameter 100 mm, 6-hole
8. Direction of rotation counter clockwise

Manual gearbox - 8 speeds - Direct drive Gearbox 8S1620 (13.80 - 1.00)								
Type	Loc.	Gear ratio	Speed factor	Max. torque [Nm]	RAPIDO reference			Notes
					No ZF-Intarder		With ZF-Intarder	
					No Emergency steering (Selco1046)	With Emergency steering (Selco1045)		
NH/1b	Z	-	0.91	1000	1425414		1425424	1, 7, 9
NH/1c					1425415		1425425	2, 7, 9

BODYBUILDERS' GUIDELINES

PTO and other energy consumers

Manual gearbox - 8 speeds - Direct drive Gearbox 8S1620 (13.80 - 1.00)								
Type	Loc.	Gear ratio	Speed factor	Max. torque [Nm]	RAPIDO reference			Notes
					No ZF-Intarder		With ZF-Intarder	
					No Emergency steering (Selco1046)	With Emergency steering (Selco1045)		
NH/4b	U	32 / 25	1.17	430	1425420		1425435	1, 8, 10
		27 / 30	0.82		1425422		1425439	
	R	32 / 25	1.17		1425416		1425426	
		27 / 30	0.82		1425418		1425432	
NH/4c	U	32 / 25	1.17		1425421		1425436	2, 8, 10
		27 / 30	0.82		1425423		1425443	
	R	32 / 25	1.17		1425417		1425429	
		27 / 30	0.82		1425419		1425434	
N221/10b	U	37 / 30	1.13	870	1436293	1436298	1436297	4, 8, 9
		40 / 27	1.35	730	1436289	1608486	1436295	
		44 / 23	1.75	560	1436292	1608487	1436294	
		46 / 21	2.00	470	1436290	1608488	1436296	
N221/10c	O	37 / 30	1.13	870	1386291	1386281	1608489	2, 8, 9
		40 / 27	1.35	730	1386279	1386282	1386302	
		44 / 23	1.75	560	1386292	1386283	1608490	
		46 / 21	2.00	470	1386280	1386284	1386286	
	U	37 / 30	1.13	870	1685795			
		40 / 27	1.35	730	1685796			
		44 / 23	1.75	560	1685797			
		46 / 21	2.00	470	1685798			

1. PTO type b with flange diameter 90 mm, 4-hole
2. PTO type c with direct pump connection, ISO 7653
4. PTO type b with flange diameter 100 mm, 6-hole
7. Direction of rotation clockwise
8. Direction of rotation counter clockwise
9. Duration of operation, continuous
10. Duration of operation, < 60 min.

Manual gearbox - 8 speeds - Overdrive Gearbox 8S1820, 8S2220 (11.54 - 0.84)								
Type	Loc.	Gear ratio	Speed factor	Max. torque [Nm]	RAPIDO reference			Notes
					No ZF-Intarder		With ZF-Intarder	
					No Emergency steering (Selco1046)	With Emergency steering (Selco1045)		
NH/1b	Z	-	1.09	1000	1425414		1425424	1, 7, 9
NH/1c					1425415		1425425	2, 7, 9

BODYBUILDERS' GUIDELINES

PTO and other energy consumers

Manual gearbox - 8 speeds - Overdrive Gearbox 8S1820, 8S2220 (11.54 - 0.84)								
Type	Loc.	Gear ratio	Speed factor	Max. torque [Nm]	RAPIDO reference			Notes
					No ZF-Intarder		With ZF-Intarder	
					No Emergency steering (Selco1046)	With Emergency steering (Selco1045)		
NH/4b	U	32 / 25	1.40	430	1425420		1425435	1, 8, 10
		27 / 30	0.98		1425422		1425439	
	R	32 / 25	1.40		1425416		1425426	
		27 / 30	0.98		1425418		1425432	
NH/4c	U	32 / 25	1.40		1425421		1425436	2, 8, 10
		27 / 30	0.98		1425423		1425443	
	R	32 / 25	1.40		1425417		1425429	
		27 / 30	0.98		1425419		1425434	
N221/10b	U	37 / 30	1.35	870	1436293	1436298	1436297	4, 8, 9
		40 / 27	1.62	730	1436289	1608486	1436295	
		44 / 23	2.09	560	1436292	1608487	1436294	
		46 / 21	2.40	470	1436290	1608488	1436296	
N221/10c	O	37 / 30	1.35	870	1386291	1386281	1608489	2, 8, 9
		40 / 27	1.62	730	1386279	1386282	1386302	
		44 / 23	2.09	560	1386292	1386283	1608490	
		46 / 21	2.40	470	1386280	1386284	1386286	
	U	37 / 30	1.35	870	1685795			
		40 / 27	1.62	730	1685796			
		44 / 23	2.09	560	1685797			
		46 / 21	2.40	470	1685798			

1. PTO type b with flange diameter 90 mm, 4-hole
2. PTO type c with direct pump connection, ISO 7653
4. PTO type b with flange diameter 100 mm, 6-hole
7. Direction of rotation clockwise
8. Direction of rotation counter clockwise
9. Duration of operation, continuous
10. Duration of operation, < 60 min.

Manual gearbox - 16 speeds - Direct drive Gearbox 16S1620, 16S1920, 16S2020, 16S2220 and 16S2320 (16.41 - 1.00)								
Type	Loc.	Gear ratio	Speed factor	Max. torque [Nm]	RAPIDO reference			Notes
					No ZF-Intarder		With ZF-Intarder	
					No Emergency steering (Selco1046)	With Emergency steering (Selco1045)		
NH/1b	Z	-	0.77 / 0.91	1000	1425414		1425424	1, 7, 9
NH/1c					1425415		1425425	2, 7, 9

BODYBUILDERS' GUIDELINES

PTO and other energy consumers

Manual gearbox - 16 speeds - Direct drive Gearbox 16S1620, 16S1920, 16S2020, 16S2220 and 16S2320 (16.41 - 1.00)								
Type	Loc.	Gear ratio	Speed factor	Max. torque [Nm]	RAPIDO reference			Notes
					No ZF-Intarder		With ZF-Intarder	
					No Emergency steering (Selco1046)	With Emergency steering (Selco1045)		
NH/4b	U	32 / 25	0.98 / 1.17	430	1425420		1425435	1, 8, 10
		27 / 30	0.69 / 0.82		1425422		1425439	
	R	32 / 25	0.98 / 1.17		1425416		1425426	
		27 / 30	0.69 / 0.82		1425418		1425432	
NH/4c	U	32 / 25	0.98 / 1.17		1425421		1425436	2, 8, 10
		27 / 30	0.69 / 0.82		1425423		1425443	
	R	32 / 25	0.98 / 1.17		1425417		1425429	
		27 / 30	0.69 / 0.82		1425419		1425434	
N221/10b	U	37 / 30	0.95 / 1.13	870	1436293	1436298	1436297	4, 8, 9
		40 / 27	1.14 / 1.35	730	1436289	1608486	1436295	
		44 / 23	1.47 / 1.75	560	1436292	1608487	1436294	
		46 / 21	1.68 / 2.00	470	1436290	1608488	1436296	
N221/10c	O	37 / 30	0.95 / 1.13	870	1386291	1386281	1608489	2, 8, 9
		40 / 27	1.14 / 1.35	730	1386279	1386282	1386302	
		44 / 23	1.47 / 1.75	560	1386292	1386283	1608490	
		46 / 21	1.68 / 2.00	470	1386280	1386284	1386286	
	U	37 / 30	0.95 / 1.13	870	1685795			
		40 / 27	1.14 / 1.35	730	1685796			
		44 / 23	1.47 / 1.75	560	1685797			
		46 / 21	1.68 / 2.00	470	1685798			

1. PTO type b with flange diameter 90 mm, 4-hole
2. PTO type c with direct pump connection, ISO 7653
4. PTO type b with flange diameter 100 mm, 6-hole
7. Direction of rotation clockwise
8. Direction of rotation counter clockwise
9. Duration of operation, continuous
10. Duration of operation, < 60 min.

Manual gearbox - 16 speeds - Overdrive Gearbox 16S1820, 16S2220, 16S2520 and 16S2720 (13.80 - 0.84)								
Type	Loc.	Gear ratio	Speed factor	Max. torque [Nm]	RAPIDO reference			Notes
					No ZF-Intarder		With ZF-Intarder	
					No Emergency steering (Selco1046)	With Emergency steering (Selco1045)		
NH/1b	Z	-	0.91 / 1.09	1000	1425414		1425424	1, 7, 9
NH/1c					1425415		1425425	2, 7, 9

BODYBUILDERS' GUIDELINES

PTO and other energy consumers

Manual gearbox - 16 speeds - Overdrive Gearbox 16S1820, 16S2220, 16S2520 and 16S2720 (13.80 - 0.84)								
Type	Loc.	Gear ratio	Speed factor	Max. torque [Nm]	RAPIDO reference			Notes
					No ZF-Intarder		With ZF-Intarder	
					No Emergency steering (Selco1046)	With Emergency steering (Selco1045)		
NH/4b	U	32 / 25	1.17 / 1.40	430	1425420		1425435	1, 8, 10
		27 / 30	0.82 / 0.98		1425422		1425439	
	R	32 / 25	1.17 / 1.40		1425416		1425426	
		27 / 30	0.82 / 0.98		1425418		1425432	
NH/4c	U	32 / 25	1.17 / 1.40		1425421		1425436	2, 8, 10
		27 / 30	0.82 / 0.98		1425423		1425443	
	R	32 / 25	1.17 / 1.40		1425417		1425429	
		27 / 30	0.82 / 0.98		1425419		1425434	
N221/10b	U	37 / 30	1.13 / 1.35	870	1436293	1436298	1436297	4, 8, 9
		40 / 27	1.35 / 1.62	730	1436289	1608486	1436295	
		44 / 23	1.75 / 2.09	560	1436292	1608487	1436294	
		46 / 21	2.00 / 2.40	470	1436290	1608488	1436296	
N221/10c	O	37 / 30	1.13 / 1.35	870	1386291	1386281	1608489	2, 8, 9
		40 / 27	1.35 / 1.62	730	1386279	1386282	1386302	
		44 / 23	1.75 / 2.09	560	1386292	1386283	1608490	
		46 / 21	2.00 / 2.40	470	1386280	1386284	1386286	
	U	37 / 30	1.13 / 1.35	870	1685795			
		40 / 27	1.35 / 1.62	730	1685796			
		44 / 23	1.75 / 2.09	560	1685797			
		46 / 21	2.00 / 2.40	470	1685798			

1. PTO type b with flange diameter 90 mm, 4-hole
2. PTO type c with direct pump connection, ISO 7653
4. PTO type b with flange diameter 100 mm, 6-hole
7. Direction of rotation clockwise
8. Direction of rotation counter clockwise
9. Duration of operation, continuous
10. Duration of operation, < 60 min.

AS-Tronic - 6 speeds - Overdrive Gearbox 6AS700 (6.02 - 0.79)							
Type	Loc.	Direction of rotation	Gear ratio	Speed factor	Maximum torque [Nm]	RAPIDO reference	Notes
NL/1b	Z	clockwise	-	0.57	600		1, 9
NL/1c							2, 9
NL/4b	U	anti-clockwise	32 / 25	0.73	350		1, 10
NL/4c							2, 10

BODYBUILDERS' GUIDELINES

PTO and other energy consumers

1. PTO type b, with flange diameter 90 mm, 4-hole
2. PTO type c with direct pump connection, ISO 7653
9. Duration of operation, continuous
10. Duration of operation, < 30 min.

AS-Tronic - 6 speeds - Overdrive Gearbox 6AS800 and 6AS1000 (6.58 - 0.78)							
Type	Loc.	Direction of rotation	Gear ratio	Speed factor	Maximum torque [Nm]	RAPIDO reference	Notes
NH/1b	Z	clockwise	-	0.53	800 (6AS800) 1000 (6AS1000)		1, 9
NH/1c							2, 9
NH/4b	U	anti-clockwise	32 / 25	0.67	350		1, 10
NH/4c							2, 10

1. PTO type b, with flange diameter 90 mm, 4-hole
2. PTO type c with direct pump connection, ISO 7653
9. Duration of operation, continuous
10. Duration of operation, < 60 min.

AS-Tronic - 12 speeds - Direct drive Gearbox 12AS1220 and 12AS1420 (12.83 - 1.00)							
Type	Loc.	Direction of rotation	Gear ratio	Speed factor	Max. torque [Nm]	RAPIDO reference	Notes
NH/1b	Z	clockwise	-	0.80	800	1671921	1, 9
NH/1c						1671922	2, 9
NH/4b	U	anti-clockwise	32 / 25	1.02	430	1780518	1, 10
	R					1780516	
NH/4c	U					1780519	2, 10
	R		1780517				
NH/4b	U		27 / 30	0.72		1671925	1, 10
	R					1671923	
NH/4c	U	1671926			2, 10		
	R	1671924					
NM AS/10b	U	anti-clockwise	37 / 30	0.99	590	1671980	4, 9
			40 / 27	1.18	510	1671982	
			44 / 23	1.53	420	1671984	
NM AS/10c	O		37 / 30	0.99	590	1671978	2, 9
			40 / 27	1.18	510	1671976	
			44 / 23	1.53	420	1671974	

1. PTO type b, with flange diameter 90 mm, 4-holes
2. PTO type c, with direct pump connection, ISO 7653
4. PTO type b, with flange diameter 100mm, 6-holes
9. Duration of operation, continuous
10. Duration of operation, < 60 min.

BODYBUILDERS' GUIDELINES

PTO and other energy consumers

AS-Tronic - 12 speeds - Overdrive Gearbox Gearbox 12AS1420 and 12AS1620 (10.37 - 0.81)							
Type	Loc.	Direction of rotation	Gear ratio	Speed factor	Maximum torque [Nm]	RAPIDO reference	Notes
NH/1b	Z	clockwise	-	0.99	800	1671921	1, 9
NH/1c						1671922	2, 9
NH/4b	U	anti-clockwise	32 / 25	1.27	430	1780518	1, 10
	R					1780516	
NH/4c	U					1780519	2, 10
	R					1780517	
NH/4b	U	anti-clockwise	27 / 30	0.89	430	1671925	1, 10
	R					1671923	
NH/4c	U					1671926	2, 10
	R					1671924	
NM AS/10b	U	anti-clockwise	37 / 30	1.22	590	1671980	4, 9
			40 / 27	1.47	510	1671982	
			44 / 23	1.89	420	1671984	
NM AS/10c	O		37 / 30	1.22	590	1671978	2, 9
			40 / 27	1.47	510	1671976	
			44 / 23	1.89	420	1671974	

1. PTO type b with flange diameter 90 mm, 4-hole
2. PTO type c with direct pump connection, ISO 7653
4. PTO type b with flange diameter 100 mm, 6-hole
9. Duration of operation, continuous
10. Duration of operation, < 60 min.

AS-Tronic - 12 speeds - Overdrive Gearbox 12AS1930, 12AS2130, 12AS2330, 12AS2530 (12.33 - 0.78) and 12AS2940 (12.29 - 0.78)							
Type	Loc.	Gear ratio	Speed factor	Maximum torque [Nm]	RAPIDO reference		Notes
					No ZF-Intarder	With ZF-Intarder	
NH/1b	Z	-	1.35	1000	1448298	1448308	1, 7, 9
NH/1c					1448299	1448309	2, 7, 9
NH/4b	U	27 / 30	1.22	430	1448306	1448331	1, 8, 10
	R				1448302	1448327	
NH/4c	U				1448307	1448332	2, 8, 10
	R				1448303	1448328	
NAS/10b	U	35 / 32	1.48	710	1448219	1448236	4, 8, 9
		32 / 25	1.73	580	1448218	1448235	
		35 / 22	2.15	490	1448217	1448234	

BODYBUILDERS' GUIDELINES

PTO and other energy consumers

AS-Tronic - 12 speeds - Overdrive Gearbox 12AS1930, 12AS2130, 12AS2330, 12AS2530 (12.33 - 0.78) and 12AS2940 (12.29 - 0.78)							
Type	Loc.	Gear ratio	Speed factor	Maximum torque [Nm]	RAPIDO reference		Notes
					No ZF-Intarder	With ZF-Intarder	
NAS/10c	O	29 / 38	1.03	730	1613796	1613807	2, 8, 9
		32 / 35	1.24	720	1613797	1613808	
	U	29 / 38	1.03	730	1685788	1685819	
		32 / 35	1.24	720	1685789	1685820	
NAS/10b + NAS/10c	U	29 / 28	1.40	600	1613800	1613811	2, 4, 8, 9
	O	29 / 38	1.03	730			
NAS/10b + NAS/10c	U	32 / 25	1.73	580	1613799	1613810	2, 4, 8, 9
	O	32 / 35	1.24	720			
NAS/10b + NAS/10c	U	35 / 22	2.15	490	1613798	1613809	2, 4, 8, 9
	O	35 / 32	1.48	710			

1. PTO type b with flange diameter 90 mm, 4-hole
2. PTO type c with direct pump connection, ISO 7653
4. PTO type b with flange diameter 100 mm, 6-hole
7. Direction of rotation clockwise
8. Direction of rotation counter clockwise
9. Duration of operation, continuous
10. Duration of operation, < 60 min.

Note: with two active PTO's, NAS/10b+c, the maximum allowed torque on the lay shaft is reduced to 1000Nm. The pump connection is always in the upper and flange connection is in the lower position.

AS-Tronic - 12 speeds - Direct drive Gearbox 12AS1630, 12AS1930, 12AS2130, 12AS2330 and 12AS2540 (15.86 - 1.0)							
Type	Loc.	Gear ratio	Speed factor	Maximum torque [Nm]	RAPIDO reference		Notes
					No ZF-Intarder	With ZF-Intarder	
NH/1b	Z	-	0.82	1000	1448298	1448308	1, 7, 9
NH/1c					1448299	1448309	2, 7, 9
NH/4b	U	32 / 25	1.05	430	1448304	1448329	1, 8, 10
		27 / 30	0.74		1448306	1448331	
	R	32 / 25	1.05		1448300	1448310	
		27 / 30	0.74		1448302	1448327	
NH/4c	U	32 / 25	1.05	1448305	1448330	2, 8, 10	
		27 / 30	0.74	1448307	1448332		
	R	32 / 25	1.05	1448301	1448326		
		27 / 30	0.74	1448303	1448328		
NAS/10b	U	37 / 20	1.51	430	1448210	1448227	4, 8, 10
		40 / 17	1.93	400	1448209	1448226	
		41 / 16	2.10	360	1448208	1448225	

BODYBUILDERS' GUIDELINES

PTO and other energy consumers

AS-Tronic - 12 speeds - Direct drive Gearbox 12AS1630, 12AS1930, 12AS2130, 12AS2330 and 12AS2540 (15.86 - 1.0)							
Type	Loc.	Gear ratio	Speed factor	Maximum torque [Nm]	RAPIDO reference		Notes
					No ZF-Intarder	With ZF-Intarder	
N AS/10c	O	37 / 30	1.01	690	1613792	1613803	2, 8, 10
		40 / 27	1.21	670	1613791	1613802	
		41 / 26	1.29	630	1613790	1613801	
	U	37 / 30	1.01	690	1685784	1685814	
		40 / 27	1.21	670	1685783	1685813	
		41 / 26	1.29	630	1685782	1685812	
NAS/10b+ NAS/10c	U	37 / 20	1.51	430	1613795	1613806	2, 4, 8, 10
	O	37 / 30	1.01	690			
NAS/10b+ NAS/10c	U	40 / 17	1.93	400	1613794	1613805	2, 4, 8, 10
	O	40 / 27	1.21	670			
NAS/10b+ NAS/10c	U	41 / 16	2.10	360	1613793	1613804	2, 4, 8, 10
	O	41 / 26	1.29	630			

6

1. PTO type b with flange diameter 90 mm, 4-hole
2. PTO type c with direct pump connection, ISO 7653
4. PTO type b with flange diameter 100mm, 6-hole
7. Direction of rotation clockwise
8. Direction of rotation counter clockwise
9. Duration of operation, continuous
10. Duration of operation, < 60 min.

Note: with two active PTO's, NAS/10b+c, the maximum allowed torque on the lay shaft is reduced to 1000Nm. The pump connection is always in the upper and flange connection is in the lower position.

AS-Tronic - 16 speeds - Overdrive Gearbox 16AS2630 (14.12 - 0.83)							
Type	Loc.	Gear ratio	Speed factor	Maximum torque [Nm]	RAPIDO reference		Notes
					No ZF-Intarder	With ZF-Intarder	
NH/1b	Z	-	1.11	1000	1448298	1448308	1, 7, 9
NH/1c					1448299	1448309	2, 7, 9
NH/4b	U	27 / 30	1.00	430	1448306	1448331	1, 8, 10
	R				1448302	1448327	
NH/4c	U				1448307	1448332	2, 8, 10
	R				1448303	1448328	
NAS/10b	U	35 / 32	1.21	710	1448219	1448236	4, 8, 9
		32 / 25	1.42	580	1448218	1448235	
		35 / 22	1.77	490	1448217	1448234	
NAS/10c	O	29 / 38	0.85	730	1613796	1613807	2, 8, 9
		32 / 35	1.02	720	1613797	1613808	

AS-Tronic - 16 speeds - Overdrive Gearbox 16AS2630 (14.12 - 0.83)							
Type	Loc.	Gear ratio	Speed factor	Maximum torque [Nm]	RAPIDO reference		Notes
					No ZF-Intarder	With ZF-Intarder	
NAS/10b + NAS/10c	U	29 / 28	1.15	600	1613800	1613811	2, 4, 8, 9
	O	29 / 38	0.85	730			
NAS/10b + NAS/10c	U	32 / 25	1.42	580	1613799	1613810	2, 4, 8, 9
	O	32 / 35	1.02	720			
NAS/10b + NAS/10c	U	35 / 22	1.77	490	1613798	1613809	2, 4, 8, 9
	O	35 / 32	1.21	710			

1. PTO type b with flange diameter 90 mm, 4-hole
2. PTO type c with direct pump connection, ISO 7653
4. PTO type b with flange diameter 100mm, 6-hole
7. Direction of rotation clockwise
8. Direction of rotation counter clockwise
9. Duration of operation, continuous
10. Duration of operation, < 60 min.

Note: with two active PTO's, NAS/10b+c, the maximum allowed torque on the lay shaft is reduced to 1000Nm. The pump connection is always in the upper and flange connection is in the lower position.

6.7 SECOND PTO

Second PTO for CF75 - CF85 and XF Series

N221/10 in combi- nation with	Type	Loc.	Gear ratio	Speed factor	12AS1220 12AS1420	12AS1220 12AS1420	PTO reference	Notes
					12.79-1.00	10.37-0.81		
NL/1b NL/1c	Z	-		0.80		0.99	1399245	3, 7, 9
							1399246	2, 7, 9
NL/4b	U	27 / 30		0.72		0.89	1399304	3, 6, 8, 10
							1399250	
	R	27 / 30		0.72		0.89	1399252	
							1399247	
NL/4c	U	27 / 30		0.72		0.89	1399305	2, 6, 8, 10
							1399251	
	R	27 / 30		0.72		0.89	1399302	
							1399249	

2. Direct pump connection, ISO 7653
3. Flange diameter 75mm, 6-hole

BODYBUILDERS' GUIDELINES

PTO and other energy consumers

6. Mounting position R in combination with NM AS/10
U, mounting position U in combination with NM AS/
10 O
7. Direction of rotation clockwise
8. Direction of rotation counter clockwise
9. Duration of operation, continuous at max. torque
600Nm
10. Duration of operation, < 60 min. at max. torque
430Nm

N221/10 in combi- nation with	Type	Loc.	Gear ratio	8S1620	8S1820 8S2220	16S1820 16S2020 16S2520 16S2720	16S1620 16s1920 16S2020 16S2220	PTO reference	Notes
				13.80-1.0	11.54-0.84	13.80-0.84	16.41-1.0		
	NL/1b	Z	-	0.91	1.09	0.91 / 1.09	0.77 / 0.91	1399245	3, 7, 9
	NL/1c							1399246	2, 7, 9
	NL/4b	U	27 / 30	0.82	0.98	0.82 / 0.98	0.69 / 0.82	1399304	3, 6, 8, 10
			32 / 25	1.17	1.40	1.17 / 1.40	0.98 / 1.17	1399250	
		R	27 / 30	0.82	0.98	0.82 / 0.98	0.69 / 0.82	1399252	
			32 / 25	1.17	1.40	1.17 / 1.40	0.98 / 1.17	1399247	
	NL/4c	U	27 / 30	0.82	0.98	0.82 / 0.98	0.69 / 0.82	1399305	2, 6, 8, 10
			32 / 25	1.17	1.40	1.17 / 1.40	0.98 / 1.17	1399251	
		R	27 / 30	0.82	0.98	0.82 / 0.98	0.69 / 0.82	1399302	
			32 / 25	1.17	1.40	1.17 / 1.40	0.98 / 1.17	1399249	

6

6.8 TRANSFER BOX

Transfer case PTO

Re-location of the tachograph speed sensor from outputshaft gearbox to outputshaft transfercase (to rear-axle) is required.

Also new tachograph calibration is mandatory.

In case the transfercase does not have a 1:1 ratio between input shaft speed and output shaft speed (to rear axle) also new vehicle system software is required.

For the use of PTO's on transfer cases or for the use of the transfer case as a PTO, you should **always** contact DAF.

6.9 PTO OPERATION

The cable harnesses of all DAF series are as standard prepared for PTO control wiring from the rear of the dashboard central console to the BBM (for LF Series to VIC) unit and from the BBM (for LF Series from VIC unit to the bulkhead lead-through. In the CF and XF series, the wiring from the bulkhead lead-through to the relevant electrical connection in the chassis upto the gearbox is also provided. On LF vehicles, the PTO switch can be mounted in the dashboard and directly connected, but on CF and XF vehicles a switch and a cable harness is required. All switchable PTO's are controlled by an electrical switch on the dashboard, interlock conditions in the BBM (for LF Series in the VIC) an electric/pneumatic valve in the chassis and a status return switch. On vehicles ex-works supplied with PTO preparation (except for LF and CF65 Series vehicles equipped with Allison Automatic Gearboxes), the PTO switch and wiring to BBM (for LF Series to VIC) is fitted in the reserved place in the dashboard and also additional wiring from gearbox to E/Pvalve and the E/Pvalve itself are fitted.

For PTO control and protection, see chapter 7.23: "LF series PTO control / protection", 7.32: "CF series PTO control / protection", or 7.38: "XF series PTO controls / protection". Dashboard switches are available as accessories from DAF Parts; for the part numbers concerned see chapter 8: "Part numbers".

The vehicles of the **LF and CF65 Series** are prepared for PTO1 operation **only**, which is controlled and checked via the VIC. The CF65 Serie does have the cab preparation for two PTO's via VIC, the chassis wiring loom however is only suitable for one PTO control and status return.

For the **CF75/85 and XF Series**, the operating system for at most 2 PTO's can be supplied ex-works, although three PTO switch positions are provided in the dashboard. They can be used, for instance:

- for a first PTO on the gearbox,
- for a second PTO on the gearbox and
- for an engine-dependent PTO.

For positions reserved for PTO switches, see chapters 7.20: "LF series cab connections" , 7.26: "CF series cab connections", 7.34: "XF series cab connections".

The range of available PTO's is linked to a specific PTO switch as is shown in the following table:

BODYBUILDERS' GUIDELINES

PTO and other energy consumers

PTO1 switch	PTO2 switch
Engine PTO	--
Engine PTO	N../1 or N../4
Engine PTO	N../10
Engine PTO	Chelsea
--	N../10
N../1 or N../4	N../10
N../1 or N../4	--
NAS/10 b or c	--
--	Chelsea
NAS/10 b	NAS/10c

For N../10 PTO's, always the version with clutch protection must be specified.
 If an N221/10 PTO is fitted at a later stage, the electrical system should be adapted (relay G259 should be added).
 The N../10 PTO and a Chelsea PTO are always operated by the PTO2 switch and VIC interlocks.
 For further information, consult DAF.

6

6.10 COMPRESSED AIR SYSTEM

Modifications to the vehicle brake system must NOT be made without the prior written permission of DAF.

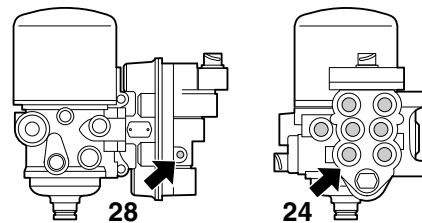


Mechanical damage to the components of the brake system, in whatever form, should always be avoided.

All vehicle series

Air consumers can be connected an unused port of the air distribution unit (A) of circuit 4 of the CF75/85 and XF Series (this unit is connected to port 24 of the APU valve and is located on the left-hand side of the cab, behind the entrance steps). The air distribution unit on the FT CF and XF Series, WB 3.60m and 3.80m only, is located at the left side of the chassis in between the flanges of the K-crossmember.

The LF and CF65 Series, except when equipped with air suspension or ASR, have an air pipe in the right hand side member sealed with a red bung, which should be replaced with a standard DAF fitting to suit the feed required. Air could also be taken from the auxiliary circuit, port 28, by removing the blanking plug and fitting an M12 adapter.



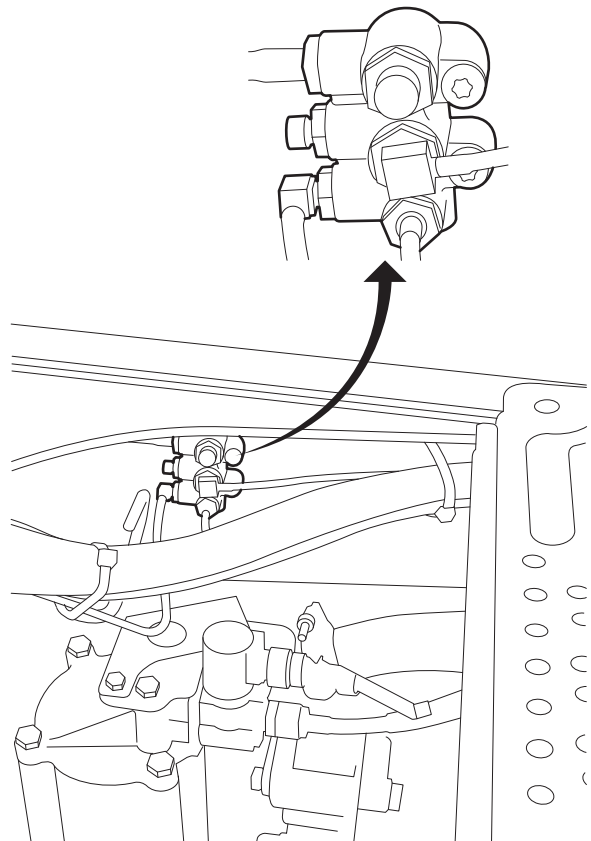
20070604-019

Port for connection of air consumers to APU valve

Various tee couplings and other couplings are available through DAF Parts. For the part numbers, see the DAF Parts product range documentation and section 8.10: "Adapters air system".



The minimum system pressure is $8.8^{\pm 0.2}$ bar, the maximum system pressure is $10.4^{\pm 0.2}$ bar for LF, CF and XF Series.



R601303

Circuit 4 air distribution unit (CF75/85 and XF Series)

BODYBUILDERS' GUIDELINES

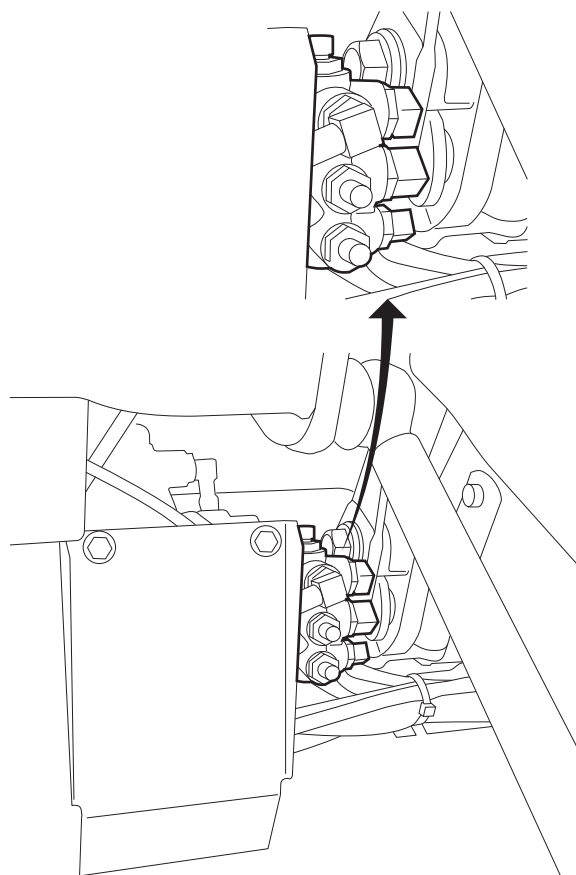
PTO and other energy consumers

General remarks

Before the APU valve and in system circuit 4, there is no supply of compressed air therefore it is essential that external air consumers should only be supplied with air when the vehicle engine is running.

Furthermore, it is highly important that, irrespective of circumstances and the volume of supplied air, the cut-out pressure of the governor is periodically reached (at least 6 times per hour) to allow the air dryer element to regenerate while the compressor is running unloaded.

The regeneration cycles of the air dryer should always be adhered to, to avoid the possibility of degeneration of the crystals in the air dryer filter element as a result of unduly frequent and prolonged presence of moisture, and also to prevent freezing in periods of frost.



R601304

6

Maximum permitted average air consumption

If the compressor is used in accordance with the method described above, the maximum permitted average air consumption on CF75-85 and XF vehicles is 70 l/min* (continuous operation) at engine speeds = 1200 rpm (XF, CF85) or = 1400 rpm (CF75). The maximum average air consumption on LF and CF65 Series is 35 l/min* at 1200RPM

* Air volume at atmospheric pressure.

To guarantee the full compressor service life time and also meet the statutory requirements for compressed air systems for trucks, it is important that:

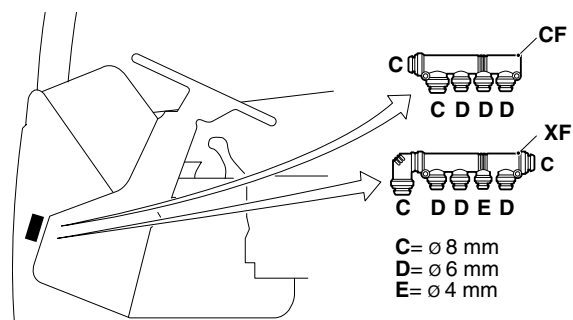
- the 25% limit of loaded compressor operation during the load cycle of the air compressor should not be exceeded. This means that during any period of 10 minutes the compressor must not run longer than 2.5 minutes without a break;
- after installation and/or during use of the external air consumption system, the vehicle should fully comply with the ECE-R13/09 (EBS brake system) and 98/12EC (conventional brake systems) directives.

If the limit values of the compressor load cycle are exceeded frequently and/or for longer periods, this will lead to increased oil consumption and a shorter service life of the air compressor, the air dryer/element and the governor valve (APU).

If any of the above-mentioned conditions cannot be met, the fitting of a second (external) compressor, combined with a twin-chamber air dryer, is recommended. The second compressor can be driven by a PTO or have its own drive unit. Depending on vehicle type, air system capacity and vehicle options, extra air tanks can be used in combination with increased air dryer capacity.

Extra air consumers in the cab

The coupling for extra air consumers **in the cab** of CF and XF vehicles is shown in the opposite drawing. The air pipes can directly be connected to the unused ports. For reasons of safety, it is not allowed to connect air consumers at other points of the compressed air system.



G000308

Horn

All CF and XF cabs, including Space Cab versions, are provided with a non-connected 6 mm pipe, running from underneath the driver's seat via the B pillar to the mounting place for a horn on the cab roof above the door on the driver's side.

6.11 AIR FEED, TIPPER PREPARATION

By ordering the option "air feed/tipper preparation" Selco 4331, the cab will be prepared with six air pipes and an indication light, thus preventing unnecessary opening of the cab interior panels.

The air pipes will be positioned from underneath the floor covering under the driver seat, via the threshold and a-pillar through the cab floor next to the steering column. The air pipes will have an outside diameter of 6mm and protrude appr. 1 meter outside the cab.

BODYBUILDERS' GUIDELINES

PTO and other energy consumers

The tipper indication light will be positioned in the panel at the LHS of the steering wheel, for LHD vehicles. Pin 2 and 3, in the black 12 pole application connector for spare wires for body functions A103, positioned behind the right front mudguard can be used to switch on the indication light.

6.12 HEATING SYSTEM

A heating system for the load area may be connected to the engine cooling system. Its effectiveness depends on the amount of residual heat produced by the engine at that moment. If a heating system is connected to the engine cooling system without any further provisions, this may have an adverse effect on the capacity of the cab heater. An engine which does not reach its operating temperature uses more fuel and, in the longer term, additional engine wear may occur. Critical factors for the engine temperature are a low load collective (low GVM/GCM, level load) and low ambient temperatures.

6

Conditions:

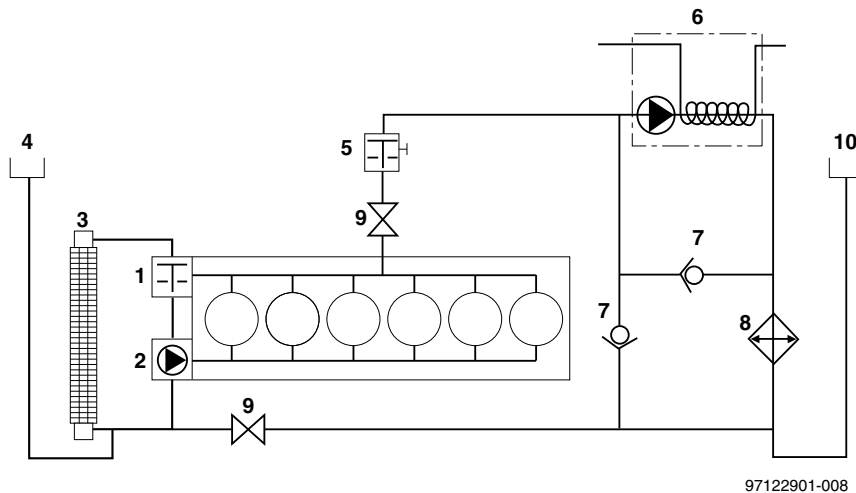
- Use of a system with a thermostat must ensure that the engine temperature cannot fall below the minimum operating temperature (approx. 87°C for the CF75, and CF85 series and approx. 79°C for the XF series, measured before the thermostat). This body thermostat, if fitted in the supply line, should open at most 5°C earlier than the engine thermostat.
- The present DAF thermostats (CF75/85 and XF series) meet the following criteria:
 - opening temperature between 87+ 1°C and 87-2°C for CF75/85 vehicles with direct coolant return;
 - opening temperature between 83+ 1°C and 83-2°C for XF vehicles and for CF vehicles with indirect coolant return, fitted with automatic transmission or Intarder
 - closing temperature 2 to 3°C lower.
- No more than 10 litres may be added to the engine coolant circuit, in view of the available capacity of the header tank (not in the case of transmission cooling).
- The connection to the engine cooling system must be made **parallel** to the existing circuit, using pipes with an inside diameter not exceeding 20 mm. The engine cooling system is supplied with external "indirect" coolant line for all superstructure versions. This coolant line contains a 1 1/4" BSP connection, just before the thermostat house, which can be used for connection of

supply line for the additional cooling system of the body builder. The return line of this system has to be connected to the coolant pump suction line. In the case of the CF75 series, DAF should be consulted.

A connection to the existing heater circuit of the engine is advised against in all cases because the (already limited) heater flow will then again be divided, as a result of which line resistance will be increased and the capacity of both systems will be reduced.

- The flow through the superstructure circuit is max. 60 l/min. The nominal capacity of the coolant pump averages between 400 and 500 l/min, depending on line resistance and pressure.
- Under these conditions, the drop in engine temperature ($\delta T_{\text{engine,av}}$) must not exceed 6°C!
- Pipes should, where possible, be fitted in a straight line, without sagging. Bleed nipples should be provided at the highest points in the system.
- If desired, the heating system may be supplemented with an auxiliary heater. In that case, an extra header tank should be added to the system (see general arrangement drawing).

System designs must always be submitted to DAF for verification!



Example of a heating system with extra heating unit

- 1 = engine thermostat
- 2 = coolant pump
- 3 = radiator
- 4 = vehicle header tank
- 5 = superstructure thermostat
- 6 = extra heating unit
- 7 = non-return valves
- 8 = heat exchanger
- 9 = heater valve
- 10 = superstructure header tank

BODYBUILDERS' GUIDELINES

PTO and other energy consumers

6

ELECTRICAL SYSTEM

	Page	Date
7.1	General	195 200849
7.2	Safety instruction	195 200849
7.3	Circuit diagram	195 200849
7.4	Earth connections	197 200849
7.5	Wire cross-section and fuse sizes	198 200849
7.6	Assisted starting	199 200849
7.7	Charging batteries	199 200849
7.8	Peak voltages	200 200849
7.9	EMC compatibility	200 200849
7.10	Data communication CAN SAE J1939 / ISO 11898 (including FMS)	202 200849
7.11	Data communication CANopen	205 200849
7.12	Data communication ISO 11992/2 & 11992/3	206 200849
7.13	Maximum load	207 200849
7.14	Additional batteries	207 200849
7.15	Additional alternator	208 200849
7.16	Connection points and locations	209 200849
7.17	DAF dashboardpanel switches and indication lights	212 200849
7.18	Engine speed control	212 200849
7.19	LF series accessories connections	214 200849
7.20	LF series cab connections	217 200849
7.21	LF and CF65 series chassis connections	221 200849
7.22	LF series ESC control	223 200849
7.23	LF series PTO control / protection	236 200849
7.24	LF series FMS system	237 200849
7.25	CF series accessories connections	241 200849
7.26	CF series cab connections	249 200849
7.27	CF75 and CF85 series chassis connections	254 200849
7.28	CF65 series ESC system	256 200849
7.29	CF65 series FMS system	270 200849
7.30	CF75 - CF85 ESC system	275 200849
7.31	CF75 - 85 series FMS system	294 200849
7.32	CF series PTO control / protection	300 200849
7.33	XF series accessories connections	305 200849
7.34	XF series cab connections	313 200849
7.35	XF series chassis connections	318 200849
7.36	XF series ESC control	320 200849
7.37	XF series FMS system	320 200849
7.38	XF series PTO controls / protection	320 200849
7.39	Trailer connection points	324 200849
7.40	Automated and automatic gearboxes	325 200849
7.41	Anti-theft protection	329 200849
7.42	Electrical retarders	330 200849
7.43	CAN Extention Box (Optional)	330 200849
7.44	Body Builders' Module (Optional)	331 200849
7.45	Gauges	332 200849
7.46	Body Builders' CAN J1939	334 200849
7.47	Taillift preparation	337 200849
7.48	Axle load monitoring (ALM)	339 200849
7.49	Refuse preparation LF Series	341 200849
7.50	Refuse preparation CF75 - CF85 Series	344 200849
7.51	Hydraulic Platform CF75 series	350 200849
7.52	Guideline for the Customer Parameter Change Form	355 200849



BODYBUILDERS' GUIDELINES

Electrical system

7

7. ELECTRICAL SYSTEM

7.1 GENERAL

In many cases, the bodybuilder will connect the electrical system of the vehicle and that of the body, together. It is therefore essential that the following general guidelines be accurately followed, because the slightest disruption could result in failure of the complete system or parts of the system, as a consequence of which the entire vehicle may cease to operate.



It is strictly forbidden to make an electrical connection to the wiring of the vehicle, except via the connection points indicated as such, by DAF. For suitable connection points in the cab and on the chassis, see a description later in this section.

7.2 SAFETY INSTRUCTION

Electrical equipment added to the electrical system of the chassis may not behave in such a way that the standard system of the chassis, or safety in general, is negatively affected.

Under all circumstances, first disconnect the positive terminal of the battery, when working on the electrical system.

Note:

For welding work, follow the instructions laid down in section 2.3: "Welding on the chassis"

7.3 CIRCUIT DIAGRAM

For the electrical (circuit) diagrams for DAF vehicles refer to the Sales Engineering department at DAF. Also the local DAF dealer has electrical diagrams available in the workshop manuals.

If applicable, the bodybuilder should make additional circuit diagrams available, which must be added to the other documentation required to be kept in the vehicle. In the event of breakdown and/or repair, this permits more efficient working.

Marking of wiring

The marking system consists of a numerical and a colour coding system, according to which the wiring is clearly classified, and connection and manufacturing errors are avoided.

BODYBUILDERS' GUIDELINES

Electrical system

The numerical coding consists of four figures, the first figure of which refers to the main group and the colour.

Main group			
Power supply (red)			
1000	upto	1099	Voltage generation
1100	upto	1199	Power supply before contact
1200	upto	1499	Power supply after contact
Lighting (yellow)			
2000	upto	2099	Direction and alarm lighting
2100	upto	2599	External vehicle lighting
2600	upto	2999	Internal vehicle lighting

Warning and control functions (blue)			
3000	upto	3399	Engine functions
3400	upto	3999	Vehicle functions
Consumers (black)			
4000	upto	4499	Start, stop, engine and glowing functions
4500	upto	5499	Vehicle functions
5500	upto	5999	Automatic gearboxes
6000	upto	6999	Special version (not ex-production line; ex-factory)
Earth (white)			
Not marked			
9000	upto	9499	Test and signal earth

LF, CF & XF105 series			
SAE J 1939 / ISO 11898 I-CAN wiring (twisted)			
3565	Dedicated Vehicle Controller-Dash Display		CAN-L (yellow)
3566	Dedicated Vehicle Controller-Dash Display		CAN-H (grey)
SAE J 1939 / ISO 11898 V-CAN wiring (twisted)			
3780	Vehicle CAN bus 1		CAN-L (yellow)
3781	Vehicle CAN bus 1		CAN-H (red)
3700	Vehicle CAN bus 2		CAN-L (yellow)
3701	Vehicle CAN bus 2		CAN-H (blue)
SAE J1939 / ISO 11898 FMS-CAN wiring (twisted)			
3782	D-CAN		CAN-L (yellow)
3783	D-CAN		CAN-H (green)
ISO 11992/2 EBS-CAN wiring (twisted)			
3558	Dedicated EBS Trailer connection		CAN-L (white)

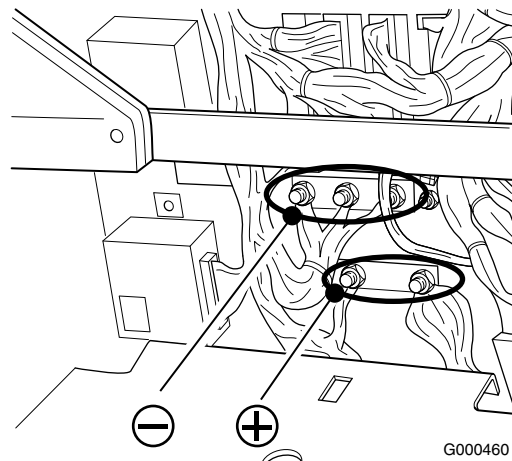
3559	Dedicated EBS Trailer connection	CAN-H (blue)
BB-CAN or CANopen		
3810	BBM output	CAN-L (yellow)
3811	BBM output	CAN-H (orange)
ISO 11992/3 Truck Trailer interfacing (not for LF)		
3812	Dedicated TT-CAN (truck-trailer) connection ⁽¹⁾	CAN-L (white/brown)
3813	Dedicated TT-CAN (truck-trailer) connection ⁽¹⁾	CAN-H (white/green)

(1) TT-CAN is prepared but not yet released.

7.4 EARTH CONNECTIONS

There are two main ground point locations on a truck. One is located outside the cabin on the flywheel housing and one is located inside the cabin on the bulkhead panel. The main ground wiring is routed from the batteries to the starter motor (or very nearby; flywheel housing). From this point on, all other ground wires are connected as follows:

1. The ground point on the flywheel housing may only be used for grounding electrical consumers that consume large electrical currents (>20A) and have no connections to the CAN network. All electrical shielding, via chassis and cabin body, is also connected to this ground point.
2. The ground point on the bulkhead lead through must be used for grounding all CAN systems and all other "low current" (<20A) or cabin (max40A) systems. There are two different methods of grounding systems to this main ground point
 1. M-wires (power earth)
using the M-wires, these may only be used for non CAN systems and as grounding for relays, valves, lamps, etc., as long as the total voltage drop between ground point and electrical consumer is respected.
 2. 9000-wires (test or signal earth)
These are directly routed to the central ground point and are used for grounding CAN systems. Because of the lowest possible ground difference under all circumstances between the CAN systems it is not allowed to connect anything to these 9000 wires.



It is not permitted to make a connection to the white wiring with numerical coding 9000 to 9500. This is the central earthing system for all DAF electronic components in the vehicle.

BODYBUILDERS' GUIDELINES

Electrical system



It is not allowed to connect any ground wires to other points than the 2 main ground points (e.g. directly on the chassis or cabin body). This is to make sure that the starter motor current can only flow under all circumstances through the battery main ground wire (cable between battery and flywheel housing).



Grounding directly on the battery ground terminal is not allowed for the same reason as mentioned above.

7.5 WIRE CROSS-SECTION AND FUSE SIZES

Each wire in the truck should be protected by a fuse that is matching its wire size otherwise melting isolation could occur as a result of overload or short circuit. Separate fuses are needed to avoid result damage when a fuse blows (avoiding loss of system functions that did not cause the fuse to blow). If clustering can not be avoided, the additional function loss must be weighted. As a general rule, clustering is only allowed for similar functions and accessories (not for drive line- and CAN systems). The minimum cross-section of cables is shown in the following table. Above all for higher currents, the cable length should be kept as short as possible.

Cross-section wiring in relation to (continuous) current strength [amp.]				
Wire cross-section [mm ²]	< 3 m.	< 6 m.	< 9m.	> 9 m.
1	9	5	4	-
1.5	22.5	13.5	7.5	6
2.5	37.5	22.5	12.5	10
4	60	36	20	16
6	90	54	30	24
10	150	90	50	40
16	240	144	80	64
25	375	225	125	100
35	525	315	175	140
50	750	450	250	200
70	1050	630	350	280
95	1425	855	475	380
120	1800	1080	600	480

The minimum wire cross-section for the connection cable between the starter motor and the batteries depends on the length of the cables. Because for the starter motor cabling, the high current levels are of a short duration only, the permitted current per length category may be increased by a factor of 1.5.

The cable used should be of automotive quality and have temperature resistance upto 120°C minimum.

7.6 ASSISTED STARTING

Assisted starting

The starting of a vehicle using separate batteries (approx. 24V) or using another vehicle with running engine (approx. 28V) is permitted. In this case, the battery cables may not be disconnected. First install the starter cables on the 'positive terminal' and then on the 'negative terminal'. When removing the cables, first remove the cable from the 'negative terminal' and then from the 'positive terminal'.

If the batteries are entirely flat, and the engine is running, using starter cables and an auxiliary battery:

- switch on as many power consumers as possible, in order to prevent load dump / peak voltages that can damage the electronics of the vehicle.
- then disconnect the starter cables from the auxiliary battery (negative cable first!!),
- then switch off the switched-on consumers.
- Excessive voltages can damage the electrical components of the various systems. Therefore always first check the terminal voltage.

Note:

Never start the vehicle using a quick-charger. Electronic devices may be damaged due to high voltage levels!

7.7 CHARGING BATTERIES

When charging the batteries, both battery cables must be disconnected. Then first connect the 'positive clamp' of the charger to the 'positive terminal' of the battery. Then connect the 'negative clamp' to the 'negative terminal'.

Only use a 'quick charger' if the batteries are disconnected from the vehicle. During 'normal charging' (< 28.5 volt charge voltage), the battery clamps may remain connected.

BODYBUILDERS' GUIDELINES

Electrical system

Also ensure a well ventilated environment, and avoid sparks and open flames. Following charging, first switch off the charger. On then remove the 'negative clamp' followed by the 'positive clamp'.



The battery cables may not be removed with the engine running.

First allow frozen batteries to defrost, before charging.

Electronic components are extremely sensitive to overloading of the electrical circuit. High voltages or long-term overloading can damage the built-in fuses and subsequently the components in such a way that the components require replacement.

7.8 PEAK VOLTAGES

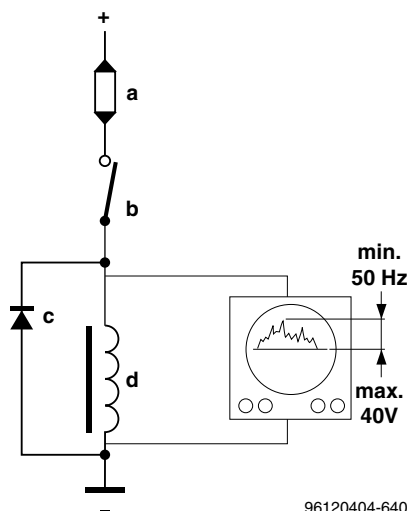
Peak voltages

All power consumers to be added must be protected against inductive peak voltages.

A diode protection system according to the following circuit diagram may be installed. Inductive peak voltages at a minimum of 50 Hz may not exceed 40 V. Above this level, the electrical system may be damaged. The protection diode should be positioned as close as possible to the power consumer causing the peak voltages.

See the following circuit diagram

- a = fuse
- b = switch
- c = diode
- d = power consumer



7.9 EMC COMPATIBILITY

Electromagnetic compatibility

Electromagnetic compatibility (EMC) should be taken to mean the degree of insensitivity of electrical systems to electromagnetic interference (EMI). EMI interference can be broken down into the following classifications:

1. Interference caused by magnetic fields which are in principle present close to all electrical appliances. Major sources of interference include transmission masts (e.g. for radio, television and mobile telephony) and electricity pylons.
2. Electromagnetic radiation generated by components in the vehicle itself. Major sources of interference are the generator, electromagnets, motors for electrical window operation, etc. and electronic units.
3. The influence of the systems upon one another, caused by switching signals.

In order to minimise the influence of electromagnetic interference, the bodybuilder should take account of the following points of departure:

- electronic systems added to the DAF chassis must be certified according to EMI legislation 95/54/EEC;
- for every system, a separate power supply wire and earth should be used. Only the power supply points and earths should be used, as described in the DAF After Sales system manuals (see various info in this section);
- the wiring should be positioned as close as possible to the DAF cable harness in the cab and in the chassis; always install the cable harness on the inside of the chassis, in order to prevent external radiation from electromagnetic fields, as far as possible;
- the wiring for components sensitive to EMI (consult with suppliers) must be twisted;
- excessively long wiring must be shortened, and the use of loops must be avoided; by carefully tying the cable harness, sensitivity can be reduced.

Generally speaking, portable telephones and transmitting equipment without an external antenna should not be used in the cab. The extremely high field strengths generated by these appliances in the cab can result in irregular behaviour or failure of electronic systems. Such equipment can also be harmful to health, because of the high electromagnetic fields. Installation should therefore be carried out by approved installation stations, whereby the correct connection of the external antenna must be verified.

The use of handheld portable telephones close to a vehicle with the contact switched on must be avoided.

For 27MC, 2m band and satellite communication equipment, the same applies as for portable telephones.

BODYBUILDERS' GUIDELINES

Electrical system

Note:

Minimum currents for input and output signals of 8mA is required. The recommended value is 20 mA. This to ensure that no disturbance due to environmental conditions (EMC See 7.9: "EMC compatibility") occurs.

Also in case of lower currents used, an error detection due to too low load on the wire connected can occur (depending on the application)

Note:

Digital input signals comply to IEC1131-2 type 2 inputs, unless otherwise stated.

PNP only

Level0 U<5V

Level1 U>11V

Note:

Digital output signals comply to specification below, unless otherwise stated.

PNP only

Level0 U<2V

Level1 U>11V

Max power see system or application specification

7

7.10 DATA COMMUNICATION CAN SAE J1939 / ISO 11898 (INCLUDING FMS)

In the **LF, CF and XF series**, in addition to the already known systems, a number of new systems are used. These systems are intended to further increase ease of use, effectiveness and safety of the vehicle. The components including these systems are generally installed in the cab. Examples of these new systems (with appropriate abbreviations) are the following:

- Vehicle Intelligence Centre (VIC-2)
- DAF Instrument Pack (DIP-4)
- Engine management FR and GRPACCAR-Cummins engines (ECS-DC4)
- Engine management MX and PR engine (DMCI)
- Body Builders' Module (BBM)
- Controller Area Network (CAN databus)

VIC/DIP

The VIC-2 is the central processing unit from where all information is co-ordinated. The function of the VIC-2 includes converting the information received from vehicle systems, switches, sensors, etc. into protocols for the various vehicle systems, and subsequently passing on this information, in coded form. For example, in this way all information is exchanged with the instrument panel. Together with the

protocols, messages are placed on the CAN network (CAN databus) in order of importance. At DAF, use is made of multiple CAN networks, namely the V-CAN 1 and/or 2 (Vehicle CAN), the I-CAN (Instrument CAN), the D-CAN (diagnosis and FMS-CAN) and the BB-CAN (Body Builder CAN). The VIC is connected to the vehicle system via the V-CAN (1 and/or 2), and the electronic instrument panel (DIP-4) via the I-CAN. The V-CAN-2 and BB-CAN are not in the architecture of the LF series electronics.

CAN-bus

The CAN databus is in principle a distribution network of various electronic signals. The pulsed digital signals represent coded messages. These can be transmitted, received and processed by all systems connected to the network. Each system takes up the information it requires, from the network. In this way, a signal which is generated by one system can also be used by other systems. In addition, each network consists of two lines: CAN-H (high) and CAN-L (low). The wires for these two lines are twisted (without shielding) in order to prevent magnetic influence from one another and from outside. CAN wiring is therefore always recognisable, by the twisting and the colour; see also "Marking of wiring" in section 7.3: "Circuit diagram").

In the automotive industry, a worldwide standard has been selected for communication (coded messages) between electronic systems:

- SAE J1939/21 (Society of Automotive Engineers) - cabling + network
- SAE J1939/71 (Society of Automotive Engineers) - messages + protocol handling

ISO 11898 is the European equivalent of the SAE J1939 standard. DAF has opted for the 250kB CAN 2.0B protocol application.

In addition, there is a further CAN connection for the EBS system, which operates according to the ISO 11992 standard.

Also at DAF, these international agreements are complied with. For the bodybuilder, there is a further possibility of using the existing CAN network, if the electrical system of the body operates using the same message structure and CAN communication. The V-CAN information is optionally available (via the CAN Connection Unit) in the 21-pin body connector, in the bulkhead lead-through or in the application connector for the superstructure in the chassis. See also the sections 7.20: "LF series cab connections", 7.26: "CF series cab connections", 7.34: "XF series cab connections", 7.21: "LF and

BODYBUILDERS' GUIDELINES

Electrical system

CF65 series chassis connections", 7.27: "CF75 and CF85 series chassis connections", 7.35: "XF series chassis connections", 7.43: "CAN Extension Box (Optional)" and 7.44: "Body Builders' Module (Optional)".

For more information relating to message structure and accessibility of the V-CAN, contact DAF.

The alteration of existing cable harnesses in the vehicle, other than indicated in the bodybuilding guidelines, is not permitted! There is a possibility that the CAN network will thus be weakened or interrupted, resulting in possible unsafe, but certainly at least in unreliable situations.

Direct connection to CAN bus system for the purpose of retrieving operating data or with other purposes is not allowed since it can interfere with the correct functionality of the truck systems, for example engine or brakes. In case of a direct connection DAF reserves the right to withdraw any warranty on the product or to consider it null and void. At the same time DAF shall not be subject to product liability arising from any direct connection made by a third party.

FMS Standard

FMS stands for Fleet Management Systems. The main chassis manufacturers, including DAF, have together agreed on the DATA to be universally provided for these FMS systems via the CAN link. Up to date information can be found on the internet at www.fms-standard.com. See chapter 7.31: "CF75 - 85 series FMS system" for more information.

Important:

Any information (functions/data) supplied must be compiled in accordance with the definitions of the FMS standard.

If functions/data are not available, they should be passed on as 'not available' (NACK).

Note:

Since the CAN data is depending on which systems are in the vehicle, and again the CAN data is depending on the specification week (software status) of the vehicle, please contact DAF for exact information on the CAN data available on a specific vehicle.

For general information on CAN messages and signals available as options FMS or BB-CAN are chosen, please contact DAF.

Note:

In case the number of CAN messages in the FMS preparation ex-factory are not sufficient, an extended package can be supplied via DAF After Sales. Please contact DAF in those cases the extended package is required.

7.11 DATA COMMUNICATION CANOPEN

In the **CF & XF series**, in addition to the already known systems, a number of new systems are used.

CAN-bus

The CAN databus is in principle a distribution network of various electronic signals. The pulsed digital signals represent coded messages. These can be transmitted, received and processed by all systems connected to the network. Each system takes up the information it requires, from the network. In this way, a signal which is generated by one system can also be used by other systems. In addition, each network consists of two lines: CAN-H (high) and CAN-L (low). The wires for these two lines are twisted (without shielding) in order to prevent magnetic influence from one another and from outside. CAN wiring is therefore always recognisable, by the twisting and the colour; see also "Marking of wiring" in section 7.3: "Circuit diagram").

In the automotive industry, a worldwide standard has been selected for communication (coded messages) between electronic systems:

- SAE J1939/21 (Society of Automotive Engineers) - cabling + network
- SAE J1939/71 (Society of Automotive Engineers) - messages + protocol handling

ISO 11898 is the European equivalent of the SAE J1939 standard. DAF has opted for the 250kB CAN 2.0B protocol application.

CANopen uses the same interface hardware, but also a completely different software protocol. Since a lot of devices on CANopen are available (from chemical process industry) on 24V power supply, applications can be expected on short term.

The CF75/85 & XF105 series are prepared for CANopen applications. Application is pending on standardisation of the protocol.

Information on the protocols can be found at the Internet, CAN in Automation website **www.can-cia.de**.

For more information relating to message structure and accessibility of CANopen, contact DAF.

BODYBUILDERS' GUIDELINES

Electrical system

7.12 DATA COMMUNICATION ISO 11992/2 & 11992/3

In the **CF and XF series**, in addition to the already known systems, a number of new systems are used. These systems are intended to further increase ease of use, effectiveness and safety of the vehicle.

The CF and XF series are prepared for ISO11992/3 applications.

CAN-bus

The CAN databus is in principle a distribution network of various electronic signals. The pulsed digital signals represent coded messages. These can be transmitted, received and processed by all systems connected to the network. Each system takes up the information it requires, from the network. In this way, a signal which is generated by one system can also be used by other systems. In addition, each network consists of two lines: CAN-H (high) and CAN-L (low). The wires for these two lines are twisted (without shielding) in order to prevent magnetic influence from one another and from outside. CAN wiring is therefore always recognisable, by the twisting and the colour; see also "Marking of wiring" in section 7.3: "Circuit diagram").

In the automotive industry, a worldwide standard has been selected for communication (coded messages) between electronic systems:

- SAE J1939/21 (Society of Automotive Engineers) - cabling + network
- SAE J1939/71 (Society of Automotive Engineers) - messages + protocol handling

ISO 11898 is the European equivalent of the SAE J1939 standard. DAF has opted for the 250kB CAN 2.0B protocol application.

In addition, there is a further CAN connection for the EBS system, which operates according to the ISO 11992 standard.

Also at DAF, these international agreements are complied with. For the bodybuilder, there is a further possibility of using the existing CAN network. The ISO 11992/3 CANbus is one of these system options.

The CF & XF105 series are prepared for 11992/3 applications. Application is pending on standardisation of the protocol.

Information on the protocols can be found at the internet, International Standards Organisation website www.iso.org.

For more information relating to message structure and accessibility of the 11992/3 Truck-Trailer CANbus, contact DAF.

7.13 MAXIMUM LOAD

The electrical system may be additionally loaded to the following values:

Chassis type	Maximum extra (continuous) load for electrical system in watts	
	Alternator 80A/24V	Alternator 100A/24V
LF series	35A/840W	45A/1080W
CF series	30A/720W	40A/960W
XF series	15A/360W	25A/600W

The vehicles are equipped with two series-connected batteries. Additional power consumers can be connected at a number of points in the electrical system. In the event of brief high peak loads of the electrical network (>100A), it is recommended that a 2nd battery set be installed. At peak loads of more than 150A, a 2nd battery set must be installed. See section 7.14: "Additional batteries".



Additional power consumers must at all times be fitted with a separate fuse. See the sections 7.20: "LF series cab connections", 7.26: "CF series cab connections" and 7.34: "XF series cab connections".

7.14 ADDITIONAL BATTERIES

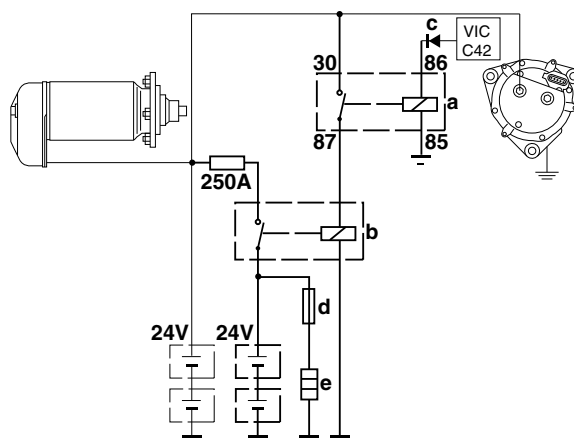
The parts required for connecting additional batteries (for example for a tail lift) can be supplied by DAF Parts. Before additional batteries are installed, ensure that the alternator capacity is sufficient to charge all batteries. If this is not the case, a heavier-duty or additional alternator can be installed. The dividing relay should be positioned as close as possible to the additional batteries. The fuse for the additional power consumer will depend on the load. Minimum wire cross-section to second battery is 50 mm².

BODYBUILDERS' GUIDELINES

Electrical system

LF/CF/XF

- a = control relay
- b = dividing relay
- c = diode
- d = fuse
- e = power consumer



G000283

VIC C42 = engine running signal.

The 'engine running' signal is used for controlling the dividing relay. This signal can be found in the table 'Bulkhead lead-through for body functions' (see section 'Cab connection points' of the LF, CF or XF series).

- On LF wire 3003 on all models
- On CF wire 3157 on all models
- On XF wire 3157 on all models

7

7.15 ADDITIONAL ALTERNATOR

It is desirable that the additional alternator has the same capacity as the original alternator, as well as an integrated voltage regulator. Differences in voltage regulation and capacity can result in a shorter service life of one of the two components.

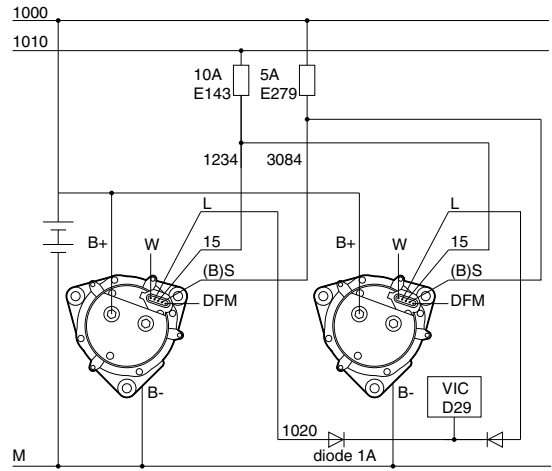
Mechanical damage to electrical components or wiring, in whatever form, must at all times be avoided. Use original cable thickness and connectors.

LF, CF and XF series

Signal VIC D28 (LF series) or D29 (CF and XF series) is the L-signal from the alternator (wire number 1020). This wire is also located in the bulkhead lead-through.

Note:

This signal also contains diagnosis information from the alternator voltage regulator. The signal is therefore not always 'high' when the engine is running. This makes it less suitable for protection purposes. Moreover, at most one extra mini-relay (150mA 24V) can be connected to it.



20090503-002

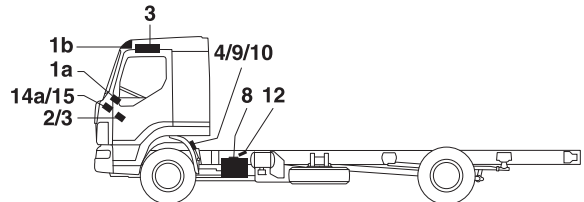
7.16 CONNECTION POINTS AND LOCATIONS

Additional cab connections				
Number	Description	LF	CF	XF
1a	Radio connection ⁽²⁾	12V / 5A	12V / 7,5 A	12V / 7,5A
1b	CB connection ⁽²⁾	12V / 5A	12V / 7,5 A	12V / 7,5A
2a	Lighter plug	24V / 4A	24V / 10A	24V / 10A
2b	Accessory plug ⁽²⁾	12V / 15A	24V / 10A	24V / 10A
3	Additional connections	24V / 10A	24V / 40A	24V / 40A
4	Work lamp/body lighting	24V / 7,5A	24V / 7,5A	24V / 7,5A
5	Microwave oven	--	--	24V / 40A
6	Cooling tray	--	24V / 25A	24V / 25A
7	PL lamp	--	24V / 10A ⁽¹⁾	24V / 10A
8	Additional chassis connections, above 20A	24V	24V	24V
9	Side marker lights	24V / 3A	24V / 7,5A	24V / 7,5A
10	Body lighting	24V / 3A	24V / 7.5A	24V / 7.5A
11	Bulkhead lead-throughs / floor lead-throughs			
12	Application connectors for engine speed control, body, accessories			
13	Allison application connector			-
14a	Telephone preparation ⁽²⁾	12V / 5A	12V / 10A	12V / 10A
14b	Fax preparation ⁽²⁾	--	12V / 10A	12V / 10A ⁽³⁾
15	Fleet Management Systems (FMS) connections	⁽⁴⁾	⁽⁴⁾	⁽⁴⁾

BODYBUILDERS' GUIDELINES

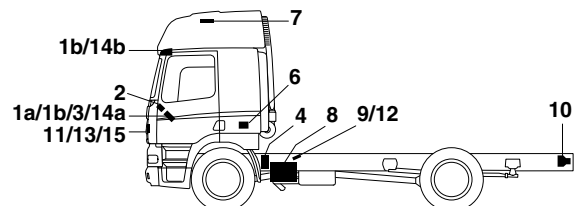
Electrical system

- (1) Only prepared in Space Cab.
- (2) Minimum value is indicated. The 12V provision depends on the selected option (5A, 10A, 15A or 20A). Check the vehicle configuration for the right version.
- (3) The connecting cable from telephone kit to fax should run through the A-pillar on the driver's side.
- (4) See chapter 7.10: "Data communication CAN SAE J1939 / ISO 11898 (including FMS)".



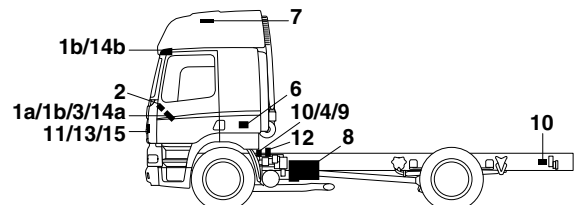
G000558

Connection points in the LF series



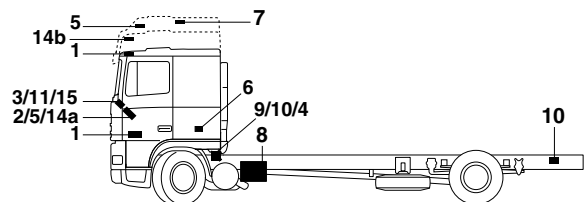
G000363

Connection points in the CF65 series



G000287

Connection points in the CF75-85 series



G000288

Connection points in the XF series

Permitted loads

In the different application connectors power and ground connections for the body builder are available. These power and ground connections are protected by fuses. The power and ground connections in these application connectors can be combined with one and the same fuse. These fuses are used not only for the application power but also for the different vehicle systems. That's why the netto power available for applications is less than the power on the fuse. To protect the electrical installation of the vehicle it is very important to know the maximum allowed total netto power that can be disipated via the different power connections. In the table below an overview of all the power connections in the different application connectors is made together with the fuses were they are connected to:

Power connections					
fuse	power	wire	application connector	pin nr.	Total Power (netto)
E048	15A	1113	A001 (connector Trailer 7-pole) A058 (connector trailer 15-pole) A070 (connector application superstructure 8-pole) A095 (connector application garbage truck) A117 (connector trailer 13-pole)	4 9 1 5 A	12A
E043	25A	1119	A004 (connector trailer ABS/EBS 7-pole)	1	20A
E036	15A	1103	A007 (connector accessoires 24V 2-pole)	2	12A
E431	5A	1131	A011 (connector accessoires 12V 2-pole)	2	
E168	40A	1175	A038 (connector accessories 40A 2-pole)	1	32A
E091	15A	1240	A068 (connector ESC)	12	12A
E142	25A	1154	A095 (connector application garbage truck) A102 (connector body builder 8-pole) A105 (connector body builder open CAN 7-pole) A106 (connector CAN-cab 9-pole)	9 1 1 1	16A
E084	10A	1101	A097 (connector FMS 21-pole) A097 (connector FMS 21-pole) A098 (connector FMS 18-pole) A100 (connector HD-OBd diagnosis)	11 17 17 16	8A
E145	15A	1163	A108 (connector diagnosis AGC-A)	B	12A

Note:

Minimum currents for input and output signals of 8mA is required. The recommended value is 20 mA. This to ensure that no disturbance due to environmental conditions (EMC See 7.9: "EMC compatibility") occurs.

In case of lower currents used, an error detection due to too low load on the wire connected can occur (depending on the application).

Note:

Digital input signals comply to IEC1131-2 type 2 inputs, unless otherwise stated.

PNP only

Level0 U<5V

Level1 U>11V

Note:

Digital output signals comply to specification below, unless otherwise stated.

PNP only

Level0 U<2V

Level1 U>11V

Max power see system or application specification

BODYBUILDERS' GUIDELINES

Electrical system

7.17 DAF DASHBOARD PANEL SWITCHES AND INDICATION LIGHTS

The panel switches for the LF, CF and XF series are exchangeable.

Switches are available which also have a function indication (LED) in the switch.

For an overview of available switches and symbol glasses, see section 8.8: "Switches".

Note:

Current series LF, CF and XF have all amber LED illumination as search light. This is not suited as function indication.

Note:

For indication lamps, a lamp holder with two lamps (24V) is available, in the form of a switch. Additional indication lamps can therefore be placed in the dashboard, in design style. Identical symbol glasses as used with the switches can be used here.

Next to this a LED indication (single red LED) in similar housing is available. See section 8.7: "Indication lamps" .

7

7.18 ENGINE SPEED CONTROL

The engine speed control system is intended to achieve an adjustable, constant engine speed, in the area between idling speed and maximum limit speed, irrespective of engine load. The engine speed control is used to more rapidly raise the pressure in the pneumatic system to operating pressure, running the engine to warm, or setting an engine speed for PTO use. The engine speed control is above all used with the vehicle in stationary condition, but can also be used whilst driving. In the case of electronic fuel systems, operation is carried out by the driver via the combi (cruise control) switches on the steering column, via the remote throttle (ECS-DC4) or the body connection (ALL). The engine speed control system is hereinafter referred to by the abbreviation "ESC" (Engine Speed Control).

Injection system

In the **LF, CF and XF series**, DAF uses engines, fitted with fuel injection and electronic engine management system. In the LF series, the 4.5 litre (FR) and the 6.7 litre (GR) PACCAR engine are used, in the CF65, the 6.7 litre (GR) PACCAR

engine is fitted. For the CF75 and CF85, the choice is between two DAF engines, the 9.2 litre PR engine and the 12.9 litre MX engine, fitted with DMCI diesel control. For the XF series, only the 12.9 litre MX engines can be specified.

- ECS-DC4 (= Engine Control System - DAF-Cummins version 4) for LF and CF65 series
This system operates according to the so-called common rail system, with a central HP pump and pipe. The injectors are electronically operated with control of injection timing, duration and pressure.
- DMCI (= DAF Multiple Controlled Injection) for CF75, CF85 and XF105 series
DMCI is the injection system as used on the PACCAR PR and PACCAR MX engine, controlling for each cylinder, the control of injection timing and duration.

In these systems, engine and vehicle functions are combined, as a result of which alterations subsequently made to the vehicle configuration always result in a new engine management configuration (reprogramming). DAF dealers have a facility for this action, using DAVIE and RAPIDO. With DAVIE, both systems can be diagnosed and parameters set. Each chassis number is linked via its ID card to a combination of parameter tables, laid down in RAPIDO.



NB: alterations to parameters must be reported to DAF or requested via DAF.

Failing to alter the ID card can result in unsafe situations, but at least to service problems and/or the non-optimum functioning of the vehicle!

Both systems are fitted with a CAN databus, with which data can be exchanged with other vehicle systems, including also the body. Consult DAF for more information.



The engine speed control systems of the LF, CF and XF series are described in the chapters 7.22: "LF series ESC control", 7.28: "CF65 series ESC system", 7.36: "XF series ESC control".

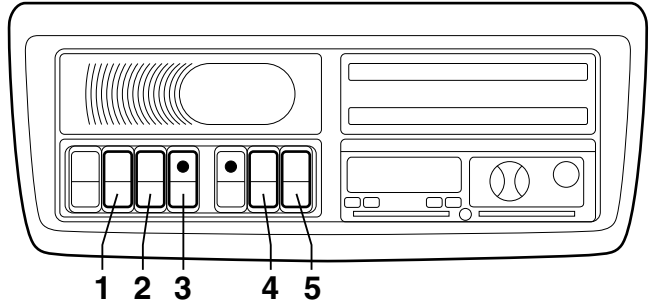
BODYBUILDERS' GUIDELINES

Electrical system

7.19 LF SERIES ACCESSORIES CONNECTIONS

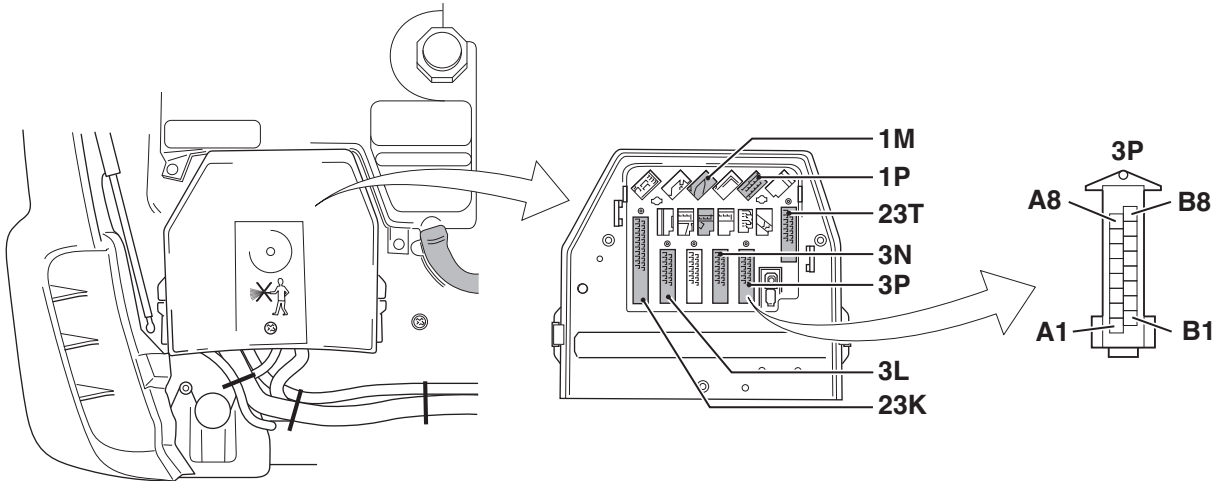
Wiring headershelf

There is spare wiring (4 wires) from the bulkhead via the A-pillar to the headershelf. The wiring runs from a connector in the headershelf to the bulkhead lead-through 1M (= grey 8 pole connector). The number of spare wires is 4. See chapter 7.20: "LF series cab connections" for details.

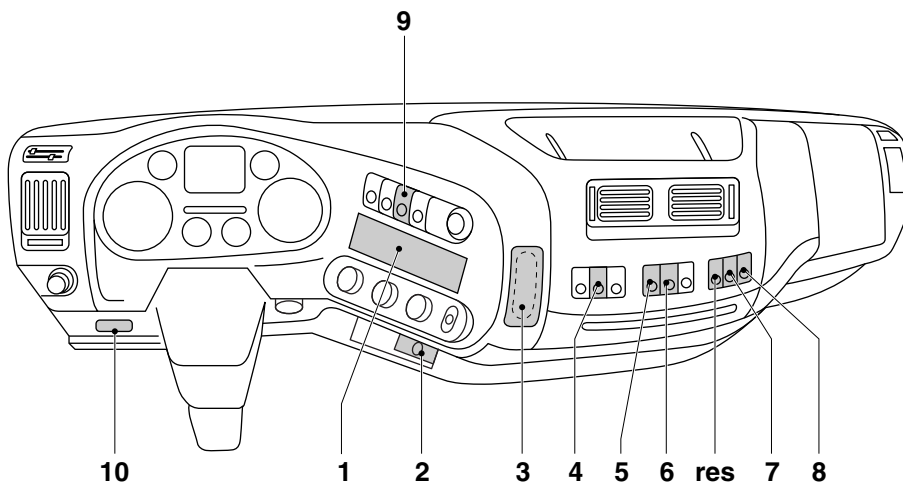


G000434

Spare wiring from dashboard area to bulkhead lead-through

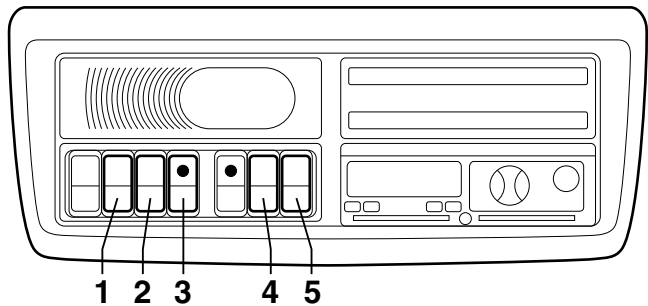


G000535



G000433

The wiring runs from a connector behind the radio compartment to the bulkhead lead-through 1M (= grey 8 pole connector). The number of spare wires is 4. See chapter 7.20: "LF series cab connections" for details.



G000434

Power supply

Power supply - 24V/10A before and after contact are available in the bulkhead lead-through. See chapter 7.20: "LF series cab connections" for details.

Note:

Remember the total permissible power supply as listed in section 7.13: "Maximum load".

12V/15A accessory connection

A 24V/12V DC/DC- converter is used to provide a 12V for accessory systems. It is not allowed to use this 12V for driveline systems or driveline related systems. If a driveline (related) system needs 12V, it must be transformed from 24V into 12V inside the system itself for safety reasons. Connecting a 12V system via the DC/DC converter is only allowed for customer accessories.

12V/15A power supply is available for radio and telephone, and in the overhead console for CB and fax. Wire numbers: 1153 and M.



The standard version 24/12V converter is 15A. The total current consumption from the 12V supply before and after contact for telephone, fax, radio and CB together (1 converter), must not exceed the specified value. Splitting of the 12V circuit using more than one converter is necessary if additional current consumption is required. Installing a heavier-duty converter is not recommended, in view of cable diameters and suppression. Location behind fuse PCB in central box.

Note:

The result of this is that energy is continuously drawn from the batteries. Carry out this modification only if necessary.

BODYBUILDERS' GUIDELINES

Electrical system

Accessories preparations

Several preparations are standard in the LF series cab.

CB preparation

Not available

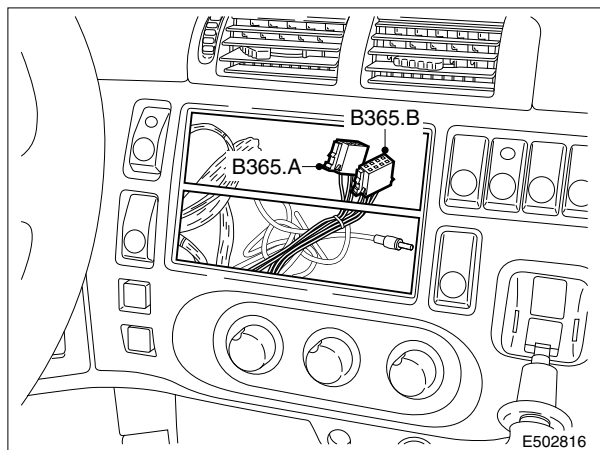
Radio preparation

For the radio connection, an ISO connector (connector code B365.A) has been fitted behind the radio panel, with 12V/ 10mA power supply before contact (wire 1153), power supply after contact (wire 1108: 12V/10A, switched via relay G377) and earth (M). Also, for the loudspeakers (connector code B365.B), the wiring to the door, A-pillar (for tweeters) and rear wall (for loudspeakers) has been prepared as standard. If tweeters are installed, a dividing filter must be fitted.



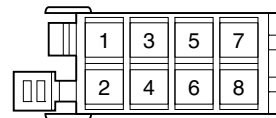
The standard version 24/12V converter is 15A. The total current consumption from the 12V supply before and after contact for telephone, fax, radio and CB together, must not exceed the specified value. Splitting of the 12V circuit using more than one converter is necessary if additional current consumption is required. Installing a heavier-duty converter is not recommended, in view of cable diameters and suppression.

7

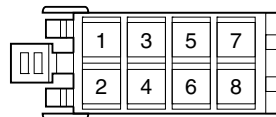


B365.A Power supply radio
B365.B Loudspeakers radio

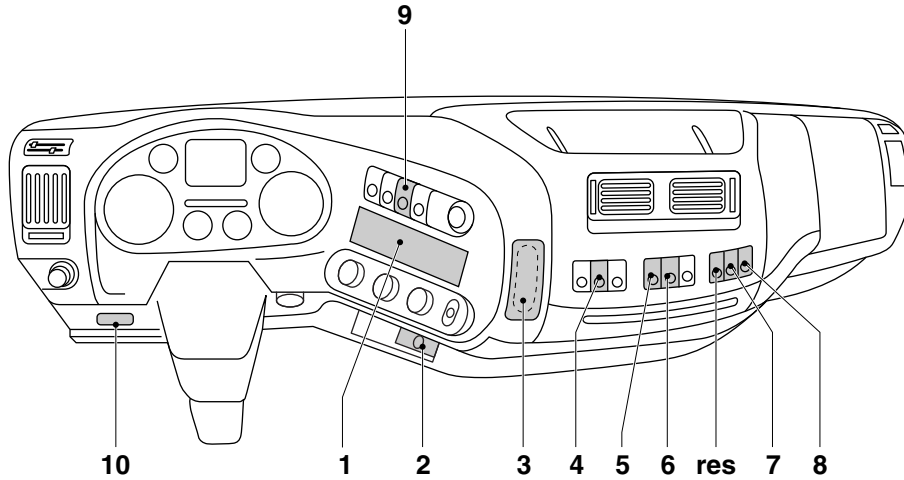
B365.A GY



B365.B BN



Telephone preparation



G000433

For a telephone connection, space has been reserved on the right-hand side of the radio panel. The power supply to the telephone must be tapped from the accessory plug. (see 12V/10A accessory connection, position 2, illustration of LF dashboard).

Bulkhead lead-through connections

See chapter 7.20: "LF series cab connections" for details.

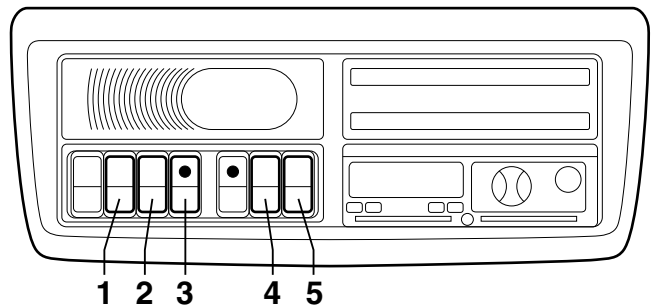
7.20 LF SERIES CAB CONNECTIONS



This paragraph explains for each vehicle series which connection points for additional power consumers are or are not fully or partially prepared ex-factory. Power supplies other than listed in this section, only in consultation with DAF.

Switch positions, overhead console

- 1 Rotating beam switch
- 2 Interior alarm on/off switch
- 3 System LED - Alarmsystem
- 4 Spare
- 5 Spare

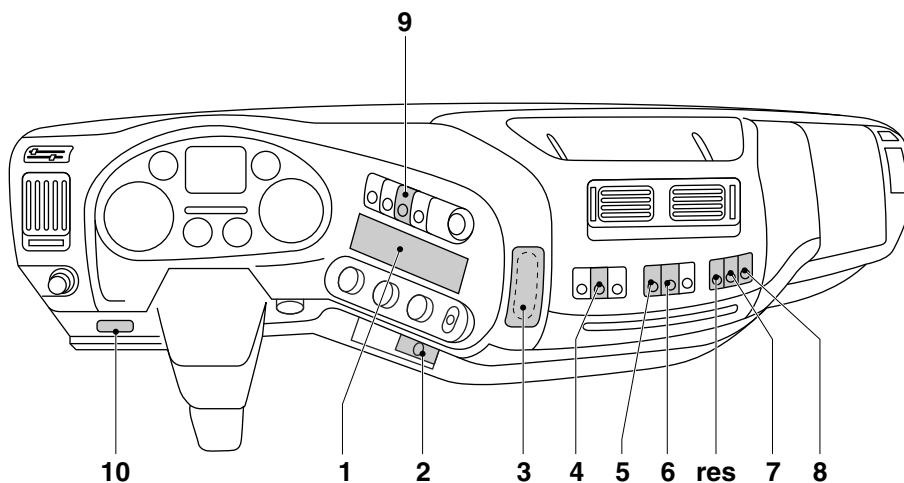


G000434

BODYBUILDERS' GUIDELINES

Electrical system

Switch positions, dashboard



G000433

- 1 radio recess
- 2 accessory plug 12V/10A
- 3 telephone location
- 4 work lamp/body lighting
- 5 reversing buzzer on/off
- 6 main switch
- 7 PTO on/off
- 8 loading door alarm on/off
- 9 adjustable speed limiter
- 10 OBD diagnostic plug
- RES reserve point

Power supply

See chapter 7.19: "LF series accessories connections"

12V/10A accessory connection

See chapter 7.19: "LF series accessories connections"

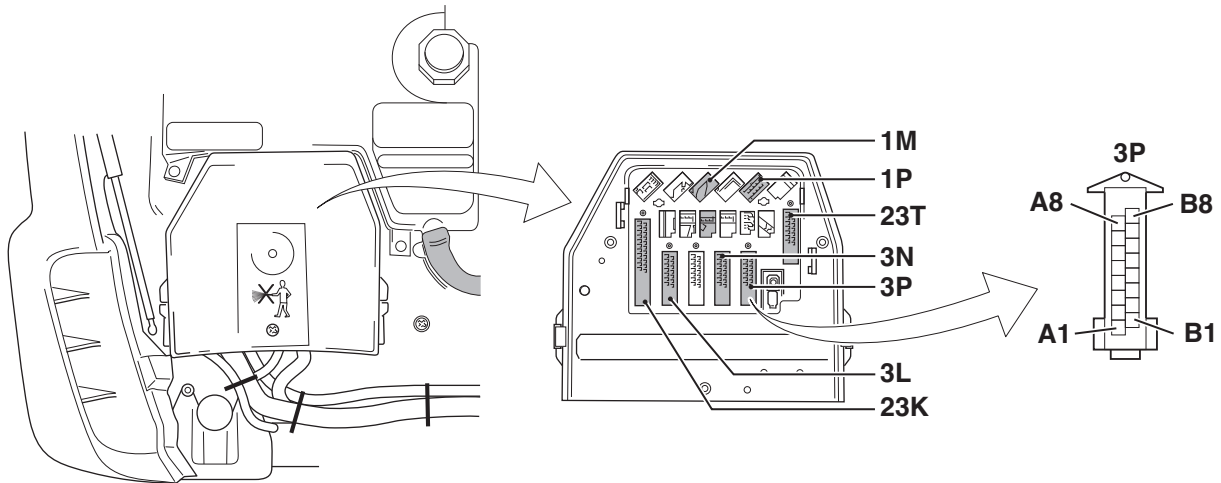
Telephone preparation

See chapter 7.19: "LF series accessories connections"

Radio preparation

See chapter 7.19: "LF series accessories connections"

Bulkhead lead-through overview



G000535

Bulkhead lead-through for body functions

Con- nector/ Pin	Wire	Description	Con- nector/ Pin	Wire	Description
3P/A7	M	Earth	3P/A1	3524	PTO1 Status
3P/B1	3412	Cab locking signal	3P/A2	4596	PTO1 Solenoid
1M/1	X003	Reserve radio recess			
1M/2	X004	Reserve radio recess			
1M/3	X005	Reserve radio recess			
1M/4	X006	Reserve radio recess			
1M/5	X007	Reserve headershelf			
1M/6	X008	Reserve headershelf	3P/B2	3157	'Engine running' signal = NOT ENGINE SPEED SIGNAL
1M/7	X009	Reserve headershelf	3P/B7	2161	Power supply after contact KL15 15A
1M/8	X010	Reserve headershelf	3P/B8	1600	Power supply before contact KL30 10A

Note:

1M = 8 pole grey connector,
3P = Blue 16 pole connector

Bulkhead lead-through for engine speed control

Con- nector/ Pin	Wire	Description	Con- nector/ Pin	Wire	Description
3P/B4	5280	Engine start, remote	3P/A3	3143	Enable engine speed control
3P/B5	3848	Engine stop, remote	3P/A4	3141	N1 fixed speed/ Nvariable
3P/B6	3878	VCSG Databus connection	3P/A5	3145	N2 fixed speed/ Set +
			3P/A6	3146	N3 fixed speed/ Set -

BODYBUILDERS' GUIDELINES

Electrical system

Con- nector/ Pin	Wire	Description	Con- nector/ Pin	Wire	Description
1P/5	3514	Vehicle speed (tachograph B7 output)	3P/B3	3420	PTO on/off, remote. Active ground signal (Remote clutch control needed)

Note:

3P = Blue 16-pole connector,
1P = Brown 8-pole connector.

Bulkhead lead-through for accessories

Con- nector/ Pin	Wire	Description	Con- nector/ Pin	Wire	Description
			3L/B6	3651	12V power supply from alarm for interior detection sensor (Alarm D911pin A10)
23K/ B12	2155	Body interior lighting	23K/B6	3659	Alarm input (ground signal)
23K/ A13	4601	Brake signal	3L/B2	3660	Alarm input (ground signal)
23K/B2	4591	Reversing alarm signal			

Note:

23K = Yellow 25-pole connector,
3L = Brown 16-pole connector
Connectors and signals available are depending on vehicle options chosen.
Make sure that the correct SELCO's are used when ordering the vehicle, in order to assure functionality.

BB-CAN

the Bodybuilder CAN functionality is available when the BBM unit is fitted in the cab. There can be made a connection directly to the BBM unit on the pins listed in the following table.

BBM Unit D993

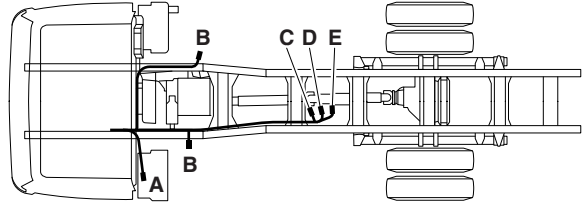
Pin	Wire	Description
D17	3811B	BB-CAN High
D19	3810B	BB-CAN Low

7.21 LF AND CF65 SERIES CHASSIS CONNECTIONS

Application connector for body functions

Location of application connectors

- A Application connector accessories
- B Connection for side markers.
- C Application connector for body function spare wires (12-pin) A103
- D Application connector for body function spare wires (8-pin) A102
- E Application connector for engine speed control (12-pin) A068



G000518

**Application connector for accessories
(Location A in illustration)**

Pin	Wire	Description	Con- nec- tor/ Pin	Wire	Description
1	1113	Power supply before contact KL30	5	3651	Alarm 12V power supply for interior detection
2	2155	Body lighting	6	3659	Alarm input (ground signal)
3	4601	Brake signal	7	3660	Alarm input (ground signal)
4	4591	Reversing signal	8	M1	Earth

Side marking lights

2-pole (location B in illustration)

At the position of the first side marker behind the cab, on both the left and right-hand side, a cable is located with a 2-pin connector. This connector contains wire numbers 2169 and 2170. Side markers and top lights can be connected from here (separate cables on the left and right hand chassis side), using the cable harnesses that are mentioned in chapter 8.5: "Electric cable contour lights chassis".

Note:

If needed, director lamps on the cab mud guards can be repositioned to line up with the bodied chassis width by using the extension pieces as shown in chapter 8.6: "Extension piece for the LF mud guard".

Application connector body functions

12-pin Econoseal LF series (Location C in illustration) A103

Pin	Wire	Description	Pin	Wire	Description
1	X003	Reserve radio recess	7	X007	Reserve headershelf
2	X004	Reserve radio recess	8	X008	Reserve headershelf
3	X005	Reserve radio recess	9	X009	Reserve headershelf
4	X006	Reserve radio recess	10	X010	Reserve headershelf

BODYBUILDERS' GUIDELINES

Electrical system

Pin	Wire	Description	Pin	Wire	Description
5			11		
6			12		

12-pin Econoseal CF65 series (Location C in illustration) A103

Pin	Wire	Description	Pin	Wire	Description
1	A1	Reserve radio recess	7	A7	Reserve radio recess
2	A2	Reserve radio recess	8	A8	Reserve radio recess
3	A3	Reserve radio recess	9	A9	Reserve radio recess
4	A4	Reserve radio recess	10	A10	Reserve radio recess
5	A5	Reserve radio recess	11	A11	Reserve radio recess
6	A6	Reserve radio recess	12	--	--

8-pin Econoseal (Location D in illustration) A102

Pin	Wire	Description	Pin	Wire	Description
1	1600 or 1154	Voltage before contact KL30 10A	5		
2	2161 or 1258	Voltage after contact KL15 15A	6		
3	3157	'Engine running' signal	7	M2 or M40	Earth 20A
4	3412	Cab locking open signal	8	M1 or M41 or M43	Earth 20A

Application connector for engine speed control

PACCAR - Cummins variant (Location E in illustration) A068

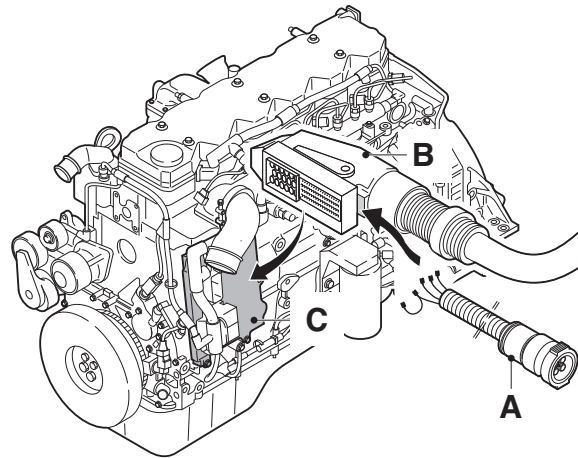
Pin	Wire	Description	Pin	Wire	Description
1	M	Earth	7	3143	ESC enable
2			8	3144	ESC N1 / N_variable
3	3003	Engine Speed signal	9	3145	ESC N2 / Set+
4	3039	Vmax application	10	3146	ESC N3 / Set-
5			11	3420	PTO on/off, remote
6			12	2161	Power supply after contact KL15

Note:

For more ESC control information see chapter 7.22: "LF series ESC control".

For manual throttle or remote throttle

To connect a manual / remote throttle unit to the engine ECU an electric cable 'A' has to be made locally. Such a cable is not available via DAF Parts. This cable harness can be fitted with a 4-pin Econoseal connector at the chassis end and 5 separate contacts at the engine end. The 5 separate contacts must be fitted into connector 'B' that is fitted on the engine control unit 'C'. See the list below for the pin numbering to use. See also chapter 7.22: "LF series ESC control"



G000537

Engine connector pin	Description
B32	Manual throttle return
B21	Manual throttle supply
B26	Manual throttle signal
B3	Manual throttle enable switch
B34	Manual throttle enable switch return

7.22 LF SERIES ESC CONTROL

LF Series ESC control

Applicable selection codes:

0761: without engine speed control connector
 0797: with engine speed control cab connector
 9231: with engine speed control chassis connector

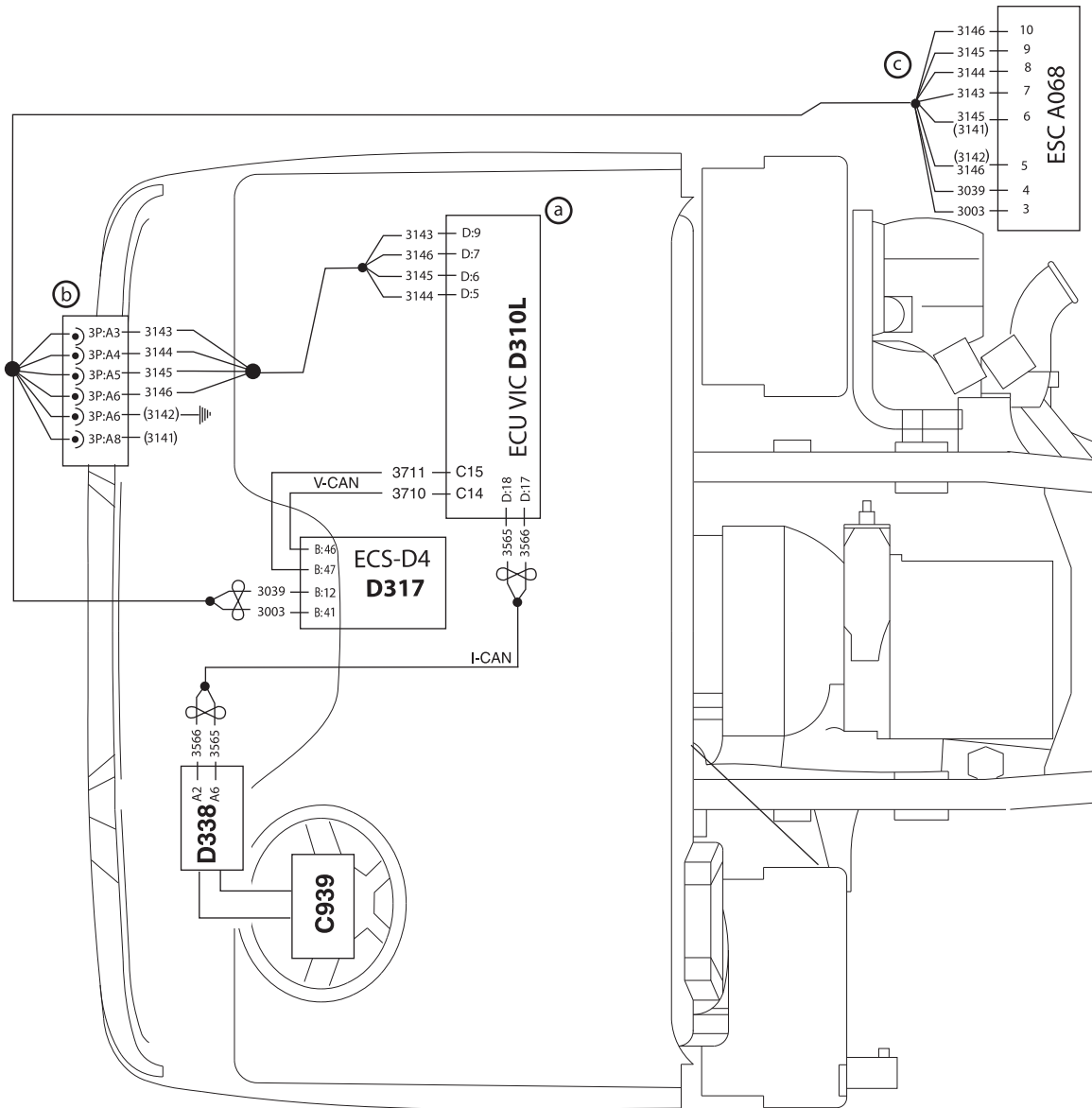
Note:

Connector 3P is always present due to standardisation. If selco 0797 is selected, the corresponding functionality is also present (correct VIC software).

BODYBUILDERS' GUIDELINES

Electrical system

Applicable application connectors in cab and chassis depending on selection code:



Selco 0797: a + b
Selco 9231: a + b + c

G000554

Selection code 0797: Cab Connector 3P

Pin	Wire	Description	Active low ⁽¹⁾ Active high ⁽²⁾	Pin on VIC (ECN code: D310L)
A1	3524	PTO1 Status	AL	B14
A2	4596	PTO1 Solenoid	AH	B05
A3	3143	ESC enable	AH	D09
A4	3144	ESC N1 / N_variable	AH	D05
A5	3145	ESC N2 / Set +	AH	D08
A6	3146	ESC N3 / Set -	AH	D07

Selection code 0797: Cab Connector 3P				
Pin	Wire	Description	Active low ⁽¹⁾ Active high ⁽²⁾	Pin on VIC (ECN code: D310L)
A7	M	Ground		
A8	-			

(1) Active low: function is activated if pin is grounded.

(2) Active high: function is activated if pin is connected to battery plus (12 V minimum).

Selection code 9231: Chassis Connector A068				
Pin	Wire	Description	Active low ⁽¹⁾ Active high ⁽²⁾	Pin on VIC (ECN code: D310L)
1	M3 or M5	Ground	-	
2	3848	Remote Engine Stop (with BBM only)	AH	(D993) C:16
3	3003	Engine speed output signal	AH	(D317) B:41
4	3039	Vmax special application	AL	(D317)B:12
5	3146 or	Set- / ESC N3 ⁽³⁾	AH	D:7
	3141	⁽⁴⁾	--	--
6	3145 or	Set+ / ESC N2 ⁽³⁾	AH	D:6
	3142	Ground ⁽⁴⁾	--	--
7	3143	ESC enable	AH	D:9
8	3144	ESC N1 / N_variable	AH	D:5
9	3145	ESC N2 / Set+	AH	D:6
10	3146	ESC N3 / Set-	AH	D:7
11	5280	PTO on / Off remote	AH	D:8
12	2161	Power supply after contact	-	AD-16C-1

(1) Active low: function is activated if pin is grounded.

(2) Active high: function is activated if pin is connected to battery plus (12 V minimum).

(3) In case chassis is specified with selco 8431 or 8665 (Manual or AS-Tronic gearbox)

(4) In case chassis is specified with selco 4207 (Allison Automatic gearbox). **Important:** in the mating bulkhead connector 3P there will be no wire fitted)

Purpose of the function

The purpose of the engine speed control system is to enable the engine speed to be adjusted between idling speed and the maximum speed. This adjustable engine speed is used, among other things, to drive auxiliary consumers via a PTO. The engine speed control can be used while driving or when idling by setting the correct customer parameters using DAVIE. The engine speed control can be enabled by the driver using the steering wheel switches, if the correct selection codes have been chosen, through the

BODYBUILDERS' GUIDELINES

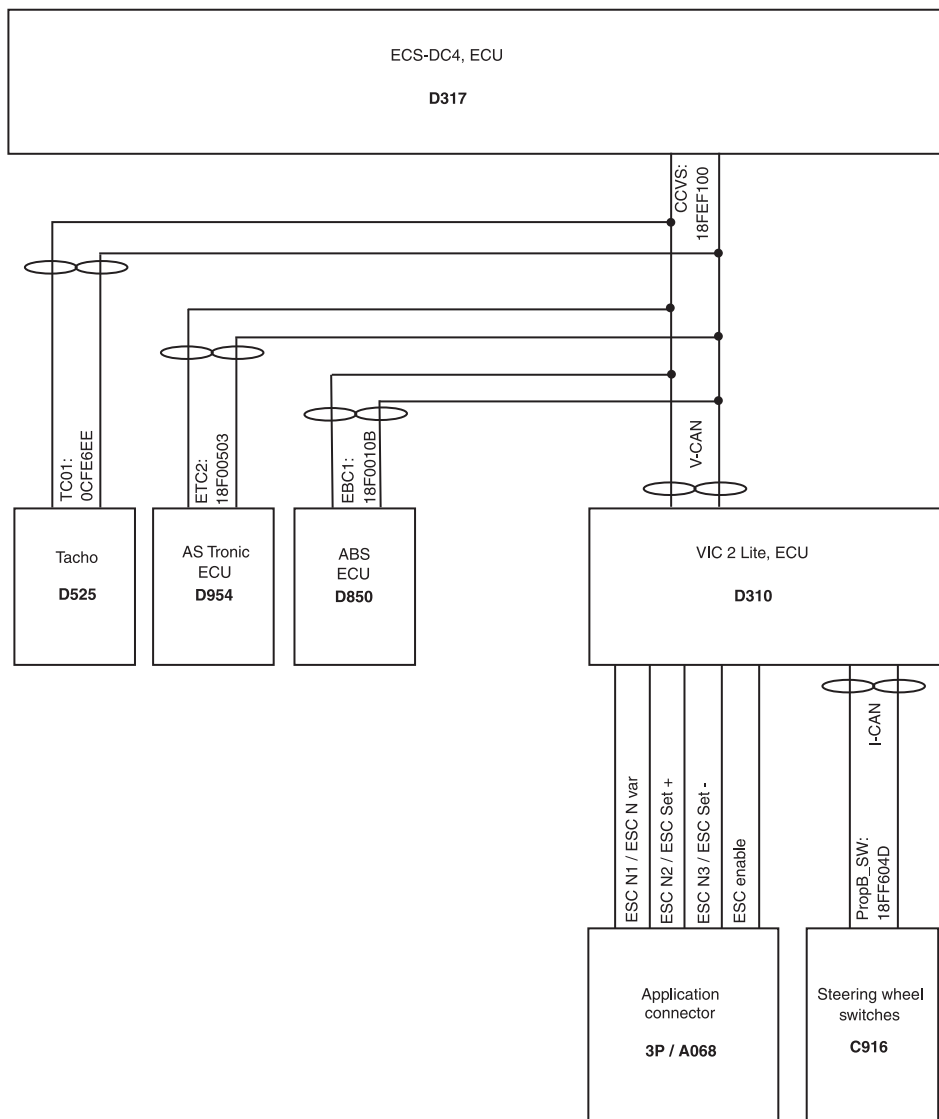
Electrical system

superstructure equipment via the relevant application connector (A068 hardwired). Enabling the engine speed control via one of the application connectors takes priority over the steering wheel switches.

Schematic overview of ESC system control

The diagram below provides a schematic overview of the engine speed control. The two main groups for controlling the engine speed control can be identified as follows:

1. Enabling engine speed control by the driver via the VIC (Vehicle Intelligence Centre)
 - Steering wheel switches
2. Enabling engine speed control by the body via the VIC (Vehicle Intelligence Centre)
 - Cab application connector (3P connector)
 - Chassis application connector (A068 connector)



G00553

General ESC control system layout

CAN signal description				
CAN Message name	Message id	Used CAN Signals for ESC ⁽¹⁾	Startbit	Length
TC01	0CFE6CEE	Tachograph vehicle speed	48	16
PropB_SW	18FF604D	Cruise control resume switch	16	2
		Cruise control off switch	18	2
		Cruise control accelerate switch	20	2
		Cruise control coast switch	22	2

BODYBUILDERS' GUIDELINES

Electrical system

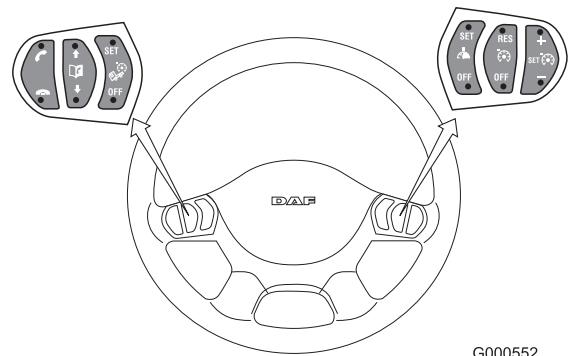
CAN signal description				
CAN Message name	Message id	Used CAN Signals for ESC ⁽¹⁾	Startbit	Length
CCVS	18FEF100	Parking brake switch	2	2
		Cruise control active	24	2
		Cruise control enable switch	26	2
		Brake switch	28	2
		Clutch switch	30	2
		Cruise control set switch	32	2
		Cruise control coast switch	34	2
		Cruise control resume switch	36	2
		Cruise control accelerate switch	38	2
		Cruise control set speed	40	2
Cruise control state	53	2		
EBC1	18F0010B	EBS brake switch	6	2
ETC2	18F00503	Selected gear	0	8
PropA_BBM_to_Engine	18EF0025	tbd	tbd	tbd

(1) only ESC related messages are shown.

7

Enabling engine speed control by the driver

As is evident from the schematic overview, the VIC can receive the engine speed control signals from the steering wheel switches (via CAN). The VIC translates these signals into a CAN message, which is sent to the engine control unit.



Steering wheel switches

G000552

Operating functions of the steering wheel switches		
Function	Standard setting	Choices in ECS-DC4 (D317) via DAVIE (CP = customer parameter)
SET + SET -	Brief operating ⁽¹⁾ of "SET +" during engine speed control activates the set speed engine speed. The activation reacts on the falling edge of the signal.	CP 2-16
	Brief operation ⁽¹⁾ of "SET -" during engine speed control activates the resume speed engine speed. The activation reacts on the falling edge of the signal.	CP2-17
	Long operation ⁽²⁾ of "SET +" during engine speed control gives a continuous increase of the preset desired speed (default 250 rpm/s). This function can only be enabled after activation of the set speed once.	0<ramp<400 [rpm/s] CP2-22
	Long operation ⁽²⁾ of "SET -" during engine speed control gives a continuous decrease of the preset desired speed (default 250 rpm/s). This function can only be enabled after activation of the set speed once.	0<ramp<400 [rpm/s] CP2-22
	The desired engine speed can be varied using "set +/-" between minimum and the maximum speed to be set.	N_idling<speed limit<N_max (rpm) via CP2-15 and CP2-14
Res	Operating "Res" activates the engine speed control and sets the engine speed to the value entered using CP2-17 (default 1200 rpm). Activation by operating "Res" (resume) button twice. With this "Res" button the operation can toggle between N1 and N2..	To be set using CP2-17 between the values set using CP2-15 and CP2-14
OFF	Engine speed control is switched off using the "OFF" button.	

(1) Brief operation: touch time < 0.3 s.

(2) Long operation: touch time > 0.3 s.

Switch on and off conditions

To make engine speed control possible, a number of (default) cut-in conditions must be met, namely:

- The handbrake must be engaged. (CP2-32)
- The vehicle speed must not be faster than 10 km/h. (CP2-11)
- Clutch pedal is not operated. (CP2-34)
- Brake pedal is not operated. (CP2-33)
- Engine brake foot pedal is not operated. (no CP)

In addition, there are a number of faults that can be checked, which, if active, prevent the engine speed control from being activated.

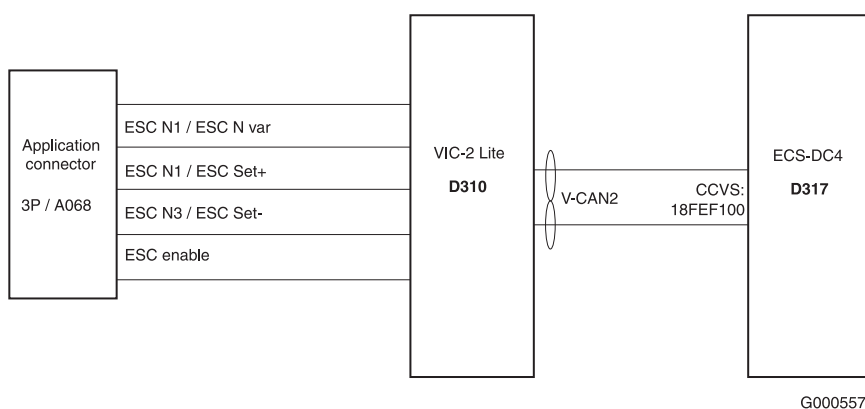
- No faults are active that relate to vehicle speed.
- No faults are active that relate to Set+/Set-plausibility
- No faults are active that relate to engine speed.
- No faults are active that relate to CAN communication.

BODYBUILDERS' GUIDELINES

Electrical system

- No faults are active that relate to clutch signal plausibility.
- No faults are active that relate to handbrake signal.
- No faults are active that relate to clutch signal.
- No faults are active that relate to a neutral gearbox signal.

If, for the body function, it is necessary to deviate from the standard options tested and released by DAF, DAF shall no longer be responsible for the operation. The implementation of non-standard body functions and the possible consequences are the responsibility of the user (generally the bodybuilder), who then bears product liability.



Schematic overview of ESC system control via the body

Hardwired activation of engine speed control

For operating the engine speed control through the body connection (see relevant selcos), the same functions, cut-in and cut-out conditions, and customer choices are offered as for the engine speed control through the steering wheel switch. Via the hardwired input on the application connector, two different engine speed control speed modes can be chosen via customer parameter 1-116. The two modes are:

1. Fixed speeds mode.
To activate these fixed speeds the engine speed control must first be enabled providing a high signal on pin A3 of cab connector 3P or pin 7 of the chassis connector A068. Then N1, N2 and N3 can be activated by providing a high signal on pins 8, 9 and 10 of chassis connector A068 or pin A4, A5 and A6 of connector 3P.
2. Variable engine speed control mode.
To activate the variable engine speed control mode first the enable pin A3 of the cabin connector or pin 7 of the chassis connector A068 must be activated. After that the Nvar enable pin on both connectors must be

activated (pin A4/3P or pin 8/A068). Via the set+ or set- pins on both connectors a variable ESC will be possible. In the table on the next page all the different situations are described.

Note:

For safety reasons it is **not** permitted to activate the "enable" via a through connection at the same time as N2, N3 or Nvar. If two separate connections are not used it will not be possible to switch off the engine speed control if a short circuit occurs.

Activation fixed or variable ESC speed via connector 3P or A068 (10 situations possible; functional description in next table)										
Function Connector / Pin	1	2	3	4	5	6	7	8	9	10
ESC enable Pin 3P/A3 or Pin A068/7	Oc	24V	24V	24V	24V	24V	24V	24V	24V	24V
N_var enable Pin 3P/A4 Pin A068/8	Dc	24V	Oc	Oc	24V	24V	24V	24V	24V	24V
Set + Pin 3P/A5 Pin A068/9	Dc	Oc	Sp	Oc	Sp	Oc	Lp	Oc	24V (1)	Oc
Set - Pin 3P/A6 Pin A068/10	Dc	Oc	Oc	Sp	Oc	Sp	Oc	Lp	Oc	24V (1)

(1) 24V only temporarily applied before start of engine. See situation 9 and 10 in next table for more details.

- Oc = open circuit
- Dc = don't care
- Sp = short pulse (brief operation: touch time with 24V < 0.3 s)
- Lp = long pulse (long operation: touch time with 24V > 0.3 s)

Situation	Engine Speed	CP ⁽¹⁾ in ECS-DC4 system	Default value	Remarks
1	N_engine = idle speed		700 rpm	Not changeable via DAVIE XD
2	N_engine = PTO addition switch speed		1000 rpm	In case of activation ESC enable and N_var before engine start the engine will run on idle. Not changeable via DAVIE XD
3	N_engine = N2	2-28	1000 rpm	Irrespective of choice in customer parameter 1-116 in the VIC (fixed speeds or N_var) N2 becomes active.
4	N_engine = N3	2-29	1200 rpm	Irrespective of choice in customer parameter 1-116 in the VIC (fixed speeds or N_var) N3 becomes active.

BODYBUILDERS' GUIDELINES

Electrical system

Situation	Engine Speed	CP ⁽¹⁾ in ECS-DC4 system	Default value	Remarks
5	N_engine = set switch ESC-speed	2-16	850 rpm	Set switch ESC-speed becomes active after detecting a falling edge of the puls.
6	N_engine = resume switch ESC-speed	2-17	1200 rpm	Resume switch ESC-speed becomes active after detecting a falling edge of the puls.
7	N_engine = N_set speed	2-16 / 2-22	850 rpm + 250 rpm/s	If, after detecting the falling edge of the first long or short pulse, another long pulse is recognized by the ECS-DC4, the engine speed will ramp up with a changeable value. (Cp 2-22 = default 250 rpm/sec)
8	N_engine = N_resume speed	2-17 / 2-22	1200 rpm - 250 rpm/s	If, after detecting the falling edge of the first long or short pulse, another long pulse is recognized by the ECS-DC4, the engine speed will ramp down with a changeable value. (Cp 2-22 = default 250 rpm/sec)
9	N_engine = set switch ESC-speed	2-16	850 rpm	In this case ESC enable, N_var and Set+ are activated before engine start. By starting the engine the engine will run at idle. Disconnecting Set+ will now lead directly to the set switch ESC-speed .
10	N_engine = resume switch ESC-speed	2-17	1200 rpm	In this case ESC enable, N_var and Set+ are activated before engine start. By starting the engine the engine will run at idle. Disconnecting Set+ will now lead directly to the set switch ESC-speed.

(1) CP = Customer parameter.

Operating functions of the application connector (A068)

Function ⁽¹⁾	Standard setting	Choice in ECS-DC4 via DAVIE (CP = customer parameter)
Enable ESC	If the engine speed control function is activated and the vehicle speed is lower than the limiting speed for engine speed control + 5 km/h, the engine speed control is enabled through the body connection. At the same time, operation via the steering column switch is blocked.	

Operating functions of the application connector (A068)		
Function ⁽¹⁾	Standard setting	Choice in ECS-DC4 via DAVIE (CP = customer parameter)
SET + SET - Pulsing or continuous ⁽²⁾	Operating "SET+/-" switches the engine speed control on and sets the current engine speed as the desired speed (constant value).	
	Brief operation ⁽³⁾ of "SET +/-" during engine speed control gives a stepped increase or reduction of the engine speed (default 25 rpm).	0<step<400 [rpm] via CP2-20 and CP2-38
	Long operation ⁽⁴⁾ of "SET +/-" during engine speed control gives a continuous increase or reduction of the preset desired speed (default 200 rpm/s).	0<ramp<400 [rpm/s] via CP2-18 and 2-19
	When "SET+/-" is released, the current engine speed is set as the new desired engine speed	
	The desired engine speed can be varied using "SET +/-" between the minimum and the maximum speed to be set.	N_idling<speed limit<Nmax (0 rpm) via CP2-15 and CP2-14
N_variable	Operating "Enable N_variable" activates the engine speed control and sets the last desired engine speed set using SET+ and SET-. This value is also memorised when the ignition is switched off. Varying the desired speed is possible using SET+/- but only if the input "Enable N_variable" is activated.	
N_2	Operating "N2" activates the engine speed control and sets the engine speed to the value entered using CP2-16 (default 800 rpm).	To be set using CP2-28 between the values set using CP2-15 and CP2-14
N_3	Operating "N3" activates the engine speed control and sets the engine speed to the value entered using CP2-17 (default 1200 rpm).	To be set using CP2-29 between the values set using CP2-15 and CP2-14
V_max application ⁽⁵⁾	If the Vmax application input is activated by providing a 24 V signal, the vehicle speed is limited to the pre-programmed value (default 30 km/h).	Adjustable using CP2-10 between a value of 0 and 30 km/h
Engine speed	Output signal, square-wave, 30 pulses per revolution; LS pulse	

- (1) If operated simultaneously, the priority is as follows (high to low): "enable ESC", "N2", "N3", N_variable (SET+/-).
 (2) Pulse signal = a signal becomes a pulse when the rising edge reaches a value of 0.6 x U_bat. Continuous signal is "high" at a voltage level of 0.6 x U_bat and "low" if below a level of 0.4 x U_bat.
 (3) Brief operation: touch time < 0.3 s (default).
 (4) Long operation: touch time > 0.3 s (default).
 (5) Special applications (e.g. refuse vehicles).

In addition to various cut-in conditions, the cut-out conditions must also be taken into account. These cut-out conditions are:

- The handbrake must be disengaged. (CP2-32)
- The vehicle speed is higher than limit value + offset (10+5=15 km/h). (CP2-11)
- Clutch pedal is operated. (CP2-34)
- Brake pedal is operated. (CP2-33)

BODYBUILDERS' GUIDELINES

Electrical system

- Engine brake foot pedal is operated. (no CP)
- Retarder is operated. (no CP)

In addition, there are a number of faults that are checked and if active, the engine speed control should be switched off:

- A vehicle speed fault is active.
- A plausibility fault is active on the set+/set-switches.
- An engine speed fault is active.
- A fault that relates to the CAN communication is active.
- A plausibility fault is active that relates to the clutch signal.
- A fault is active that relates to the handbrake signal.
- A fault is active that relates to the clutch signal.
- A fault is active that relates to the neutral signal of the gearbox.

In addition to the cut-in and cut-out conditions, the system also has a number of overrule conditions. An overrule condition means that the control under which the system is operating at that point is temporarily suppressed. These overrule conditions are:

- Accelerator pedal operation. (CP 2-30)
The accelerator pedal can be used to temporarily increase the engine speed up to a maximum value preset under customer parameter 2.14 (max. ESC speed).
- Exceeding vehicle speed limit. (CP 2-11)
- ASR activation.
- Speed limiter activation.

7

Customer ⁽¹⁾ parameter ID	Customer parameter name	System	Value
	ENGINE SPEED CONTROL		
1-28	ESC Brake enable	VIC-2	ACTIVE / NOT ACTIVE
1-29	ESC Clutch enable	VIC-2	ACTIVE / NOT ACTIVE
1-30	ESC Parkbrake enable	VIC-2	ACTIVE / NOT ACTIVE
1-116	ESC Speed mode	VIC-2	VARIABLE SPEED / 3 FIXED SPEEDS

(1) For changing default parameter settings see chapter 7.52: "Guideline for the Customer Parameter Change Form"

Customer ⁽¹⁾ parameter ID	Customer parameter name	System	Value
	ENGINE SPEED CONTROL		
2-14	MAX ESC SPEED	ECS-DC4	Rpm
2-15	MIN ESC SPEED	ECS-DC4	Rpm
2-16	SET SWITCH ESC-SPEED	ECS-DC4	Rpm
2-17	RESUME SWITCH ESC-SPEED	ECS-DC4	Rpm
2-21	MAX ENGINE LOAD ESC	ECS-DC4	Nm
2-22	ACCELERATE / DECELERATE ESC	ECS-DC4	Rpm/s
2-27	ESC CHANGE APPLICATION CONN. N1	ECS-DC4	Rpm
2-28	ESC CHANGE APPLICATION CONN. N2	ECS-DC4	Rpm
2-29	ESC CHANGE APPLICATION CONN. N3	ECS-DC4	Rpm

(1) For changing default parameter settings see chapter 7.52: "Guideline for the Customer Parameter Change Form"

Customer ⁽¹⁾ parameter ID	Customer parameter name	System	Value
	ENGINE SPEED CONTROL CONDITIONS		
2-30	ACCEL. PEDAL	ECS-DC4	ACTIVE / NOT ACTIVE
2-31	MAX RPM ACCELERATOR PEDAL	ECS-DC4	Rpm
2-32	PARK BRAKE	ECS-DC4	ACTIVE / NOT ACTIVE
2-33	BRAKE	ECS-DC4	ACTIVE / NOT ACTIVE
2-34	CLUTCH	ECS-DC4	ACTIVE / NOT ACTIVE

(1) For changing default parameter settings see chapter 7.52: "Guideline for the Customer Parameter Change Form"

BODYBUILDERS' GUIDELINES

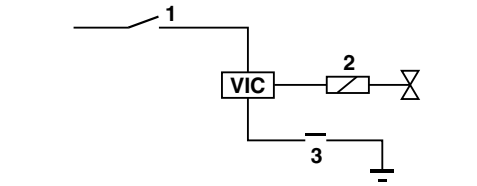
Electrical system

7.23 LF SERIES PTO CONTROL / PROTECTION

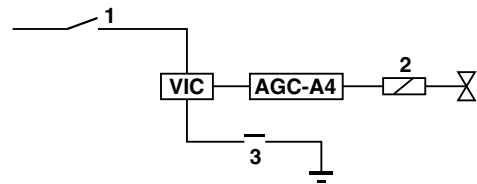
For the LF series, only 1 PTO control has been prepared.

By using the switch on position 7 (see section 7.20: "LF series cab connections"), the VIC (Vehicle Intelligence Centre) is activated via wire 4594 (active earth). The VIC checks on the basis of the cut-in conditions whether the output (wire 4596) may be activated. These conditions must be met within a specified control time (default = 4 sec.). If this is not the case, an error message will appear on the DIP (display on instrument panel). The PTO output will not be switched on, even if following the expiry of the control time, the cut-in conditions are met. To allow the PTO to be switched on, the switch must first be set to off, and then switched back on.

If activation of the PTO is permitted, wire 4596 is activated, and the VIC expects a return status message from the PTO system, within a second control time. An immediate check will also be carried out as to whether the cut-out conditions are met, or not. If the return status message does not arrive on time, or if the message states that the cut-out conditions are met, the output will be switched off, and the PTO warning will once again appear on the DIP. The 'PTO active' indication on the DIP will not illuminate, until the return status message is concluded successfully. If this indication lights up, the PTO-1 hour counter will start to run (installed in the DIP menu). Control wire 4594 (active +24V, in the cab this wire has number 3420) is included in the ESC application connector, which means that preparation for operating the PTO (switching it on and keeping it running) from the body is provided.



22031802-039



22031802-040

7

Cut-in conditions		
Item	Applicable as condition	Status
Brake operated	Yes/No	Operated/not operated
Parking brake operated	Yes/No	Operated/not operated
Clutch operated	Yes/No	Operated/not operated
Engine running	Yes/No	Yes/No
Vehicle speed	Yes/No	Minimum value
Engine speed	Yes/No	Minimum value
Control time 1	Always	Value

Cut-out conditions		
Item	Applicable as condition	Status
Brake operated	Yes/No	Operated/not operated
Parking brake operated	Yes/No	Operated/not operated
Clutch operated	Yes/No	Operated/not operated
Engine running	Yes/No	Yes/No
Vehicle speed	Yes/No	Maximum value
Engine speed	Yes/No	Maximum value
Control time 2	Always	Value

7.24 LF SERIES FMS SYSTEM

LF series FMS system

Applicable selection codes:

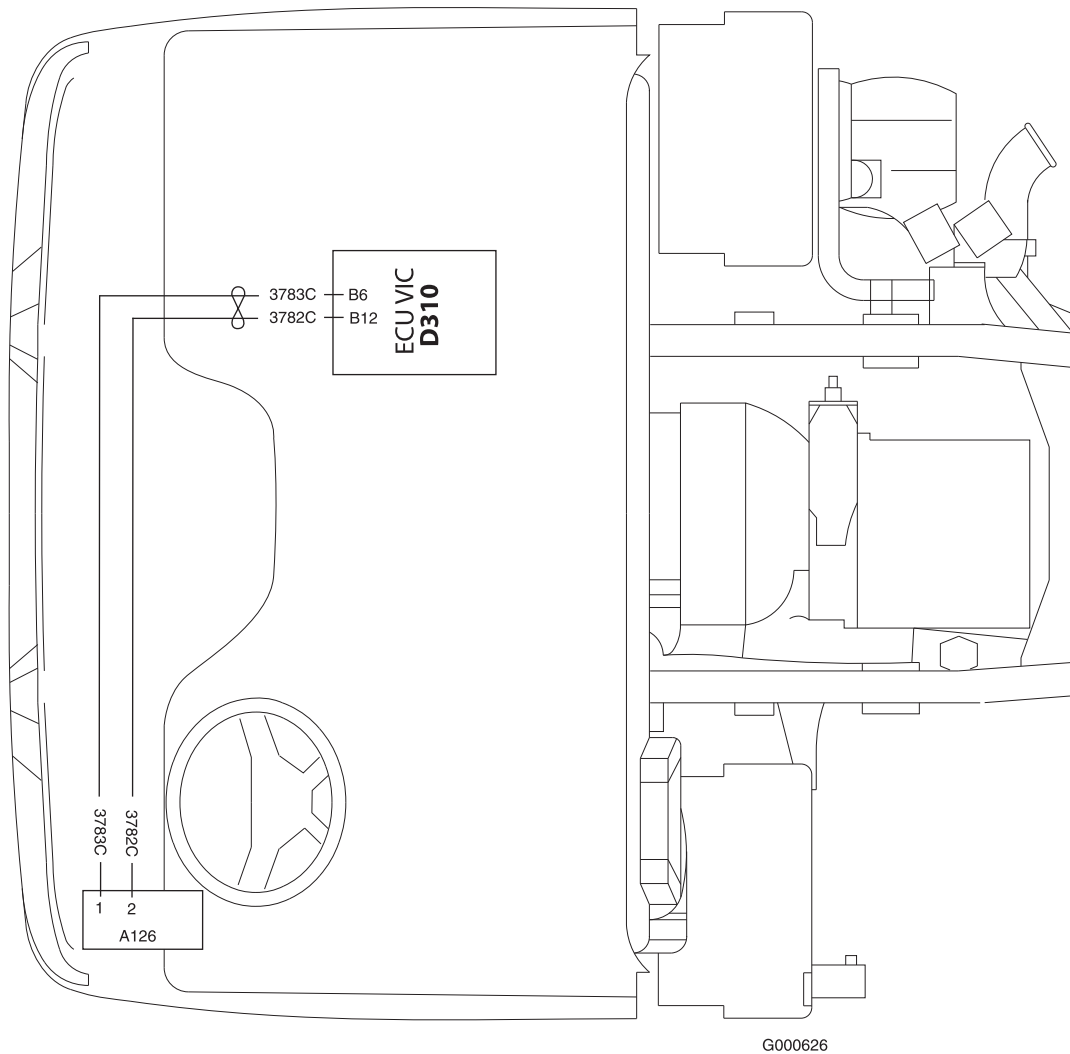
8360: without Fleet Management System

6407: with Fleet Management System
preparation

BODYBUILDERS' GUIDELINES

Electrical system

Applicable FMS application connectors cabine:



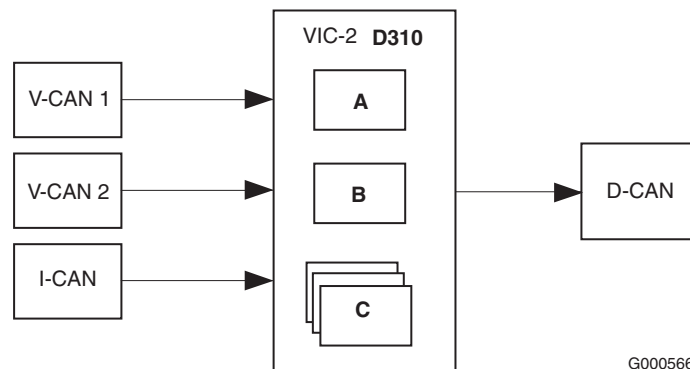
G000626

Selection code 6407: FMS prepared (Cab Connector A098 in location D878; central box dashboard)				
Pin	Wire	Description	Active low Active high	Pin on ECU or connector
1	3783C	CAN-High	n/a	B12
2	3782C	CAN-Low	n/a	B6

Purpose of the function

FMS stands for **F**leet **M**anagement **S**ystem and is used to provide information about condition of the vehicle to the fleet owner for logistic purposes. The (wireless) transmission of the data from vehicle to user is performed by a third party ECU which will get the data provided by the VIC-2 via de D-CAN interface.

The main vehicle manufacturers, including DAF, have together agreed on the data to be universally provided for these FMS systems via the CAN link. Third parties are able to connect and to get the data from the truck CAN bus system. This document describes which D-CAN messages will to be supported via the FMS prepared selco 6407.



- A D-CAN gateway for FMS standard messages
- B D-CAN gateway for additional DTS messages (for future use)
- C PLC functions

From week 2008-13 a new two pole-connector is available for connecting to the D-CAN bus where the FMS messages will be broadcasted.

A Fleet Management System needs some specific information to know which CAN-data is available and how to handle this CAN-data. This information is sent in the CAN-message "FMS standard software version supported". This CAN-message is accepted by SAE J1939. Before there was no standard CAN-message and DAF would send the CAN-message "FMS standard information".

The following table describes the amount of data which will be sent by DAF on the D-CAN for FMS preparation.

Message	Message ID ⁽²⁾	Repetition Rate (ms)	FMS Prepared Selco 6407
EEC2	0C F0 03 00	50	X
EEC1	0C F0 04 00	20	X
Engine hours revolution	18 FE E5 00	On request	X
Vehicle Identification	18 FE EC EE	On request	X
High Resolution Vehicle Distance	18 FE C1 EE	1000	X
TC01	0C FE 6C EE	50	X
Engine temperature	18 FE EE 00	1000	X
Fuel economy	18 FE F2 00	100	X

BODYBUILDERS' GUIDELINES

Electrical system

Message	Message ID ⁽²⁾	Repetition Rate (ms)	FMS Prepared Selco 6407
Service	18 FE C0 27	1000	X
Vehicle weight	18 FE EA 27	1000	X
Dash display	18 FE FC 27	1000	X
FMS standard interface	1C FD D1 27	10000	X
CCVS	18 FE F1 00	100	X
Fuel consumption	18 FE E9 00	1000	X
DM1	18 FE CA XX	1000 ⁽¹⁾	X
TP_DT (BAM)	1C EB FF XX	-	X
TP_CM	1C EC FF XX	-	X
DM1 VIC	18 FE CA 27	1000	X
TP_DT (BAM)	1C EB FF XX	-	X
TP_CM	1C EC FF XX	-	X
PropB_BBMM	18 FF 82 25	250	X
ERC1_XR	18 F0 00 29	100	X
ERC1_DR	18 F0 00 10	100	X
EBC1	18 F0 01 0B	100	X
Tire condition (truck)	18 FE F4 33	500	X
Tire condition (trailer)	18 FE F4 C8	500	X
EBS23	18 FE C6 C8	100	X
RGE23	18 FE 5E C8	1000	X
EBS22	18 FE C4 C8	100	X
RGE22	18 FE 5C C8	100	X
Ambient conditions	18 FE F5 00	1000	X
Inlet / exhaust conditions	18 FE F6 00	500	X
Engine fluid level pressure	18 FE EF 00	500	X
Time date	18 FE E6 EE	1000	X
PropB_EST42	18 FF 40 10	100	X
Tank information #1	18 FE 56 3D	1000	X
Driver information	18 FE 6B EE	On request	X
Combination vehicle weight	18 FE 70 0B	On request	X
ETC2	18 F0 05 03	100	X
Operator wiper and washer controls	18 FD CD 27	100	X
Operator external Light controls	18 FD CC 27	100	X
Cab illumination	18 D0 FF 27	5000	X
Vehicle hours	18 FE EC 27	1000	X

(1) Repetition rate when DM1 is active.

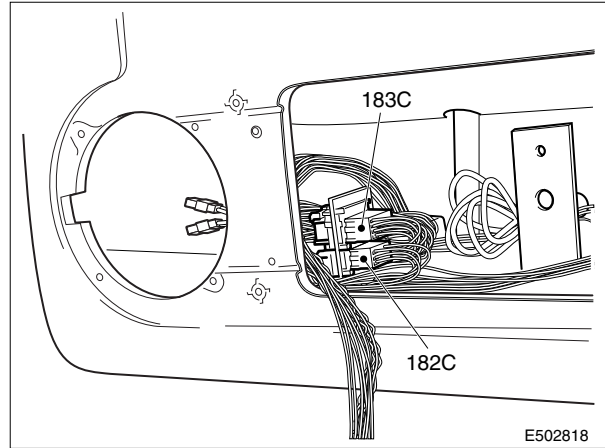
(2) For detailed message content see equivalent document "FMS CAN message overview.pdf" on the information sheet web page. (The Internet URL for the corporate DAF website is: www.daf.com -> follow the main menu item: "Products" -> Bodybuilder guidelines webpage -> Information Sheet webpage)

7.25 CF SERIES ACCESSORIES CONNECTIONS

Wiring headershell

Space Cab

There are several connectors available in the headershell at driver side. Following signals are available:



9-pin black plug in overhead console (connector code 182C)

Pin	Wire	Description	Pin	Wire	Description
1	1107	KL30, supply spotlight	6	5445	speaker telematics (minus)
2	1258	Power supply after contact KL15	7	5399	Telephone speaker
3	5444	speaker telematics (plus)	8	5418	Telephone speaker
4	2630	Switch search light supply	9	M52	Earth
5	2649	Spotlight switched return	-	-	-

12-pin black plug in overhead console (connector code 183C)

Pin	Wire	Description	Pin	Wire	Description
1	1154	Power supply before contact KL30 2.5 mm ²	7	2216	High lights / spot lights signal
2	1258	Power supply after contact KL15 2.5 mm ²	8	M70	Earth 0.75 mm ²
3	1101	Power supply before contact KL30 0.75 mm ²	9	-	-
4	2630	Search light switches	10	-	-
5	2102	Tail light, left signal	11	M668	Earth 2.5 mm ²
6	2122	Signal, main beam	12	5270	Buzzer door open / parking brake not applied

Spare wiring

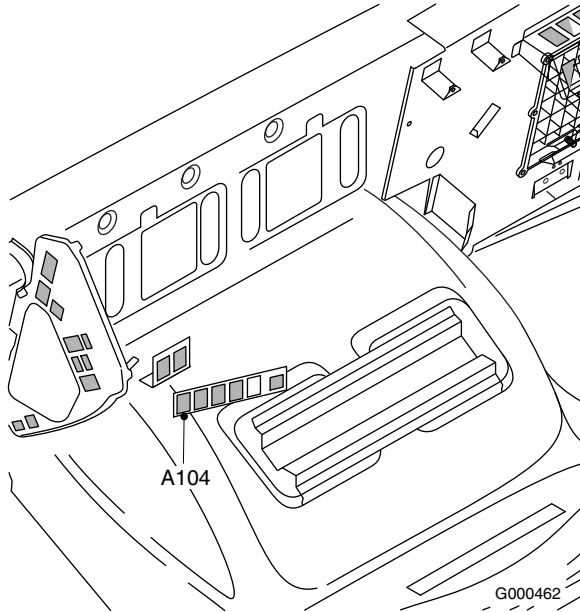
There is no spare wiring from dashboard area via the A-pillar to the headershell.

BODYBUILDERS' GUIDELINES

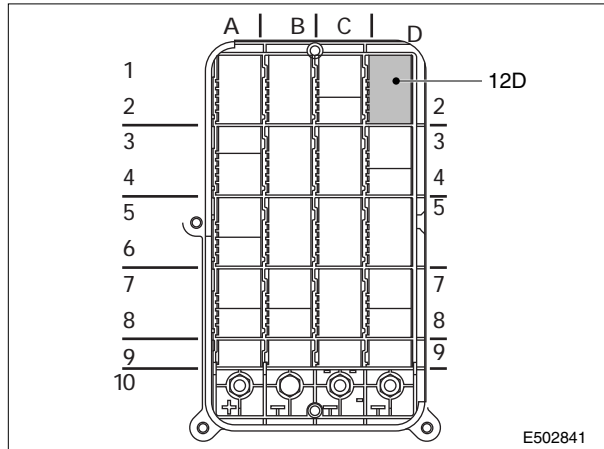
Electrical system

Spare wiring from dashboard area to bulkhead lead-through

Connector A104



Connector 12D



7

The wiring runs from a 18-pole connector (A104) behind the radio compartment to the bulkhead lead-through 12D. The number of spare wires is 11, except when a FMS preparation is present. In this case spare wire A1 is used as wire 3772 panic button input for the FMS system. For details see 7.10: "Data communication CAN SAE J1939 / ISO 11898 (including FMS)".

18 pole connector spare wiring radio compartment (connector code A104)

Pin	Wire	Description	Pin	Wire	Description
1	A1 / 3772	Reserve radio recess (connector A104) Panic button FMS (connector A098)	10	A10	Reserve radio recess (connector A104)
2	A2	Reserve radio recess (connector A104)	11	A11	Reserve radio recess (connector A104)
3	A3	Reserve radio recess (connector A104)	12		
4	A4	Reserve radio recess (connector A104)	13		
5	A5	Reserve radio recess (connector A104)	14		
6	A6	Reserve radio recess (connector A104)	15		
7	A7	Reserve radio recess (connector A104)	16		

Pin	Wire	Description	Pin	Wire	Description
8	A8	Reserve radio recess (connector A104)	17		
9	A9	Reserve radio recess (connector A104)	18		

Power Supply

The power supply for all accessories should be taken from connector 12D in the bulkhead lead-through.

For details on pinning see chapter 7.26: "CF series cab connections" under paragraph "Bulkhead lead-through for body functions".

- Power supply - 24V/25A before contact, wire number 1154, and 24V/25A after contact, wire number 1258 - is available in the 6-pin green connector in the central box behind the fuse/relay board. In this connector, the signals 'engine running' (3157), 'cab locking' (3412) and 'earth' (2x) are also available.
- 24V/40A power supply, before contact, is available in the 2-pin connector in the central box behind the fuse/relay board. Wire numbers: 1175 and M.
- 24V/10A via the accessory plug on the dashboard, beside the lighter position.

Remember the total permissible power supply as stated in section 7.13: "Maximum load".

Beside this 24V connection, there are two earth connections, M8 screw version, in positions 10C and 10D, in the bulkhead lead-through.

12V/10A or 12V/20A (optional) power supply is available behind the panel of the central console for radio and telephone, and in the overhead console for CB and fax (see below).



The 24V connections on the bulkhead lead-through (10A) and on the distributor block behind the foot panel on the co-driver's side are all un-fused and must not be used for power supply unless separately fused within 10 cm from the connection.

Note: a maximum of 3 ring connectors per bolt connection.

Accessories preparations

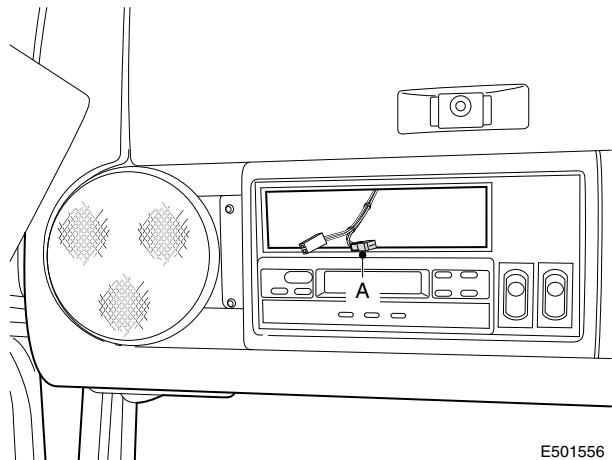
Several preparations are standard in the CF series cab.

BODYBUILDERS' GUIDELINES

Electrical system

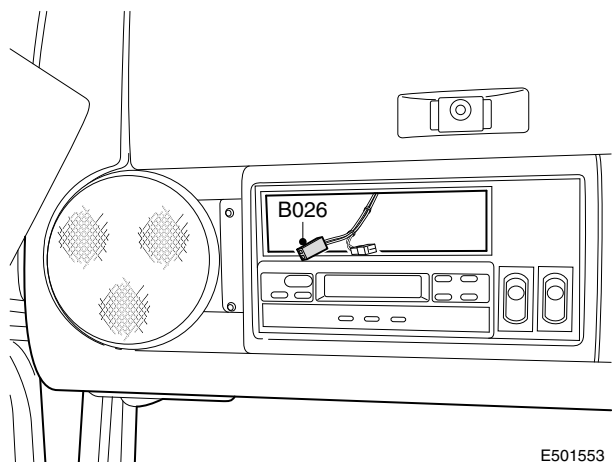
LED preparation immobiliser / Alarm

In the headershell there is a 2-pole black connector (connector code 143C). The wire 1107 and 3482 are meant for connecting the LED of the immobiliser.



CB preparation

In the headershell there is a 2-pole white connector (connector code B026) containing the wires 1108 (+12V, KI30) en M515 (earth). These are meant for connecting CB or fax equipment.



Refrigerator preparation

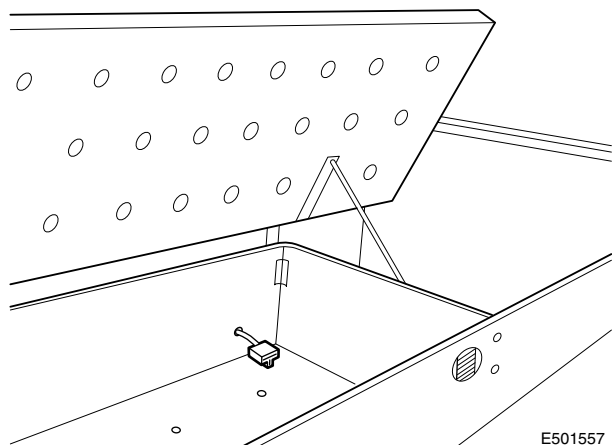
The refrigerator wiring is standard prepared and can be found in the lower bed bunk. In this connector (connector code B356) the wires 1154 (+24V, KI30) en M72 (earth) can be found.

Note: The powersupply 1154 is fuse by fuse E142 (25 A). Via this fuse also other functions are fuse among which as rotating beacons, bodybuilder application connector etc.

40A power supply preparation

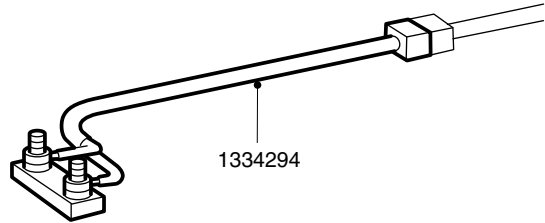
This is a 2 pole connector (connector code A038). Designed for currents up to 40 A!. The wires 1175 (KI30) and M22 (earth) are both 4,0 mm². The powersupply is taken via fuse E168 KI30 (before contact). The fuse is a MAXI FUSE, located on the top side of the fuse-relay board.

A connecting block can be connected here, and so creating a central point for power supply KI30 and earth. See also chapter 7.4: "Earth connections".



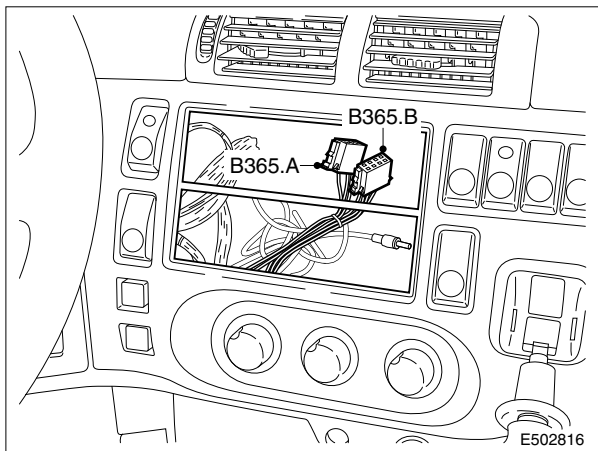
Radio preparation

For the radio connection, an ISO connector (connector code B365.A) is fitted behind the radio panel, with 12V/10A power supply before contact (wire 1108), power supply after contact (wire 1363, switched via relay G377) and earth (M). Also, for the loudspeakers (connector code B365.B), the wiring to the door, A-pillar (for tweeters) and rear wall (for loudspeakers) has been prepared as standard. If tweeters are installed, a dividing filter must be fitted.

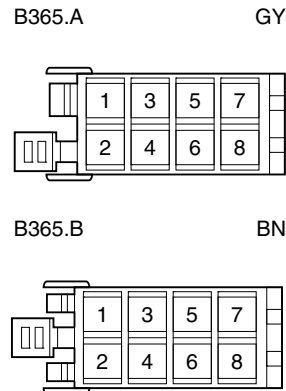


The standard version 24/12V converter is 10A. A 20A version is available. The total current consumption from the 12V supply before and after contact for telephone, fax, radio and CB together, must not exceed the specified value. Splitting of the 12V circuit using more than one converter is necessary if additional current consumption is required. Installing a heavier-duty converter is not recommended, in view of cable diameters and suppression.

E502763



B365.A Power supply radio
B365.B Loudspeakers radio

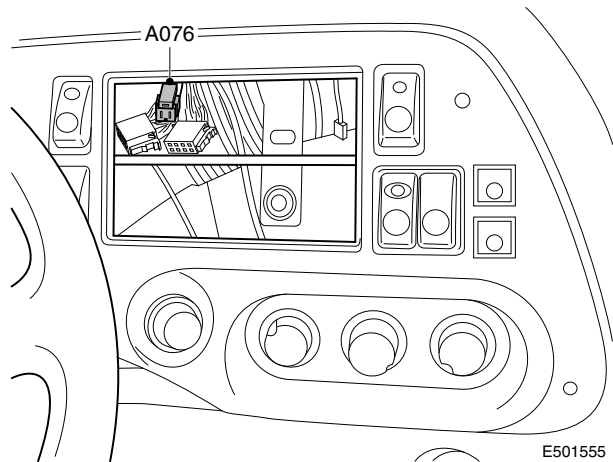


BODYBUILDERS' GUIDELINES

Electrical system

Telephone preparation

For a telephone connection, space has been reserved on the right-hand side of the radio panel. An AMP plug (connector code A076) is fitted as standard behind the radio panel, with 12V/10A power supply before contact (wire 1108), 12V/25 mA power supply after contact (wire 1353) and earth (M).



Pin	Wire	Description
1	1363	Power supply before contact KL30. (12 V/25 mA)
2	1108	Power supply before contact KL30. (12 V)
3	M460	Earth

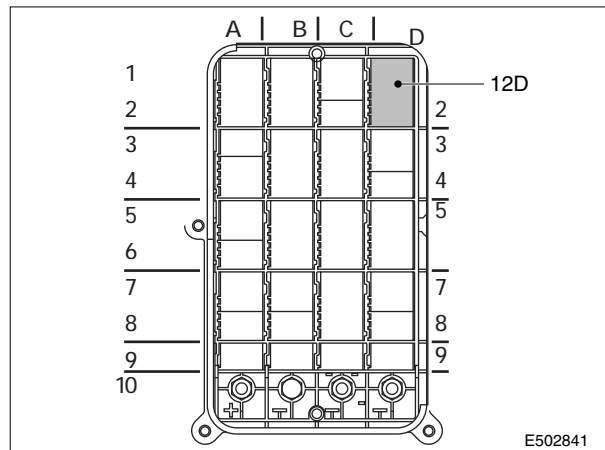
Bulkhead lead-through connections

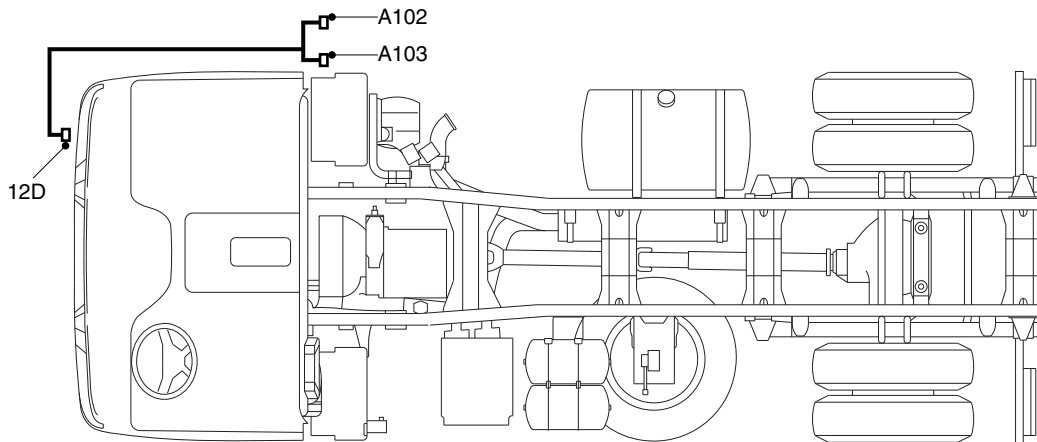
7

21-pole connector bulkhead lead-through body functions:

Connector code 12D

For details on pinning see chapter 7.26: "CF series cab connections" under paragraph "Bulkhead lead-through for body functions". In addition to this an extension from connector 12D to the chassis is available as an option or via DAF Parts. The connections of the 21 pole connector 12D will be split up into an 8-pole and a 12 pole econoseal. See chapter 7.27: "CF75 and CF85 series chassis connections" "application connector body functions" for details.



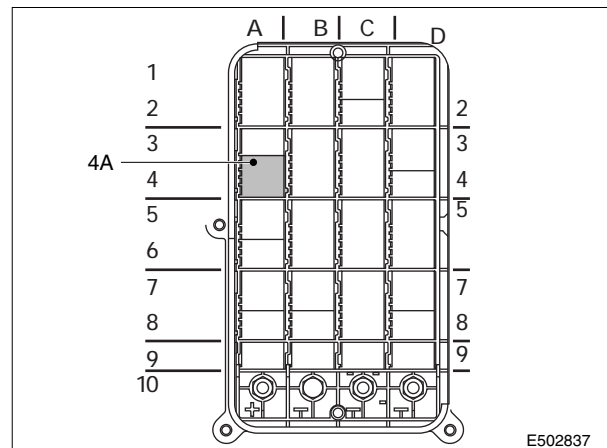


E502836

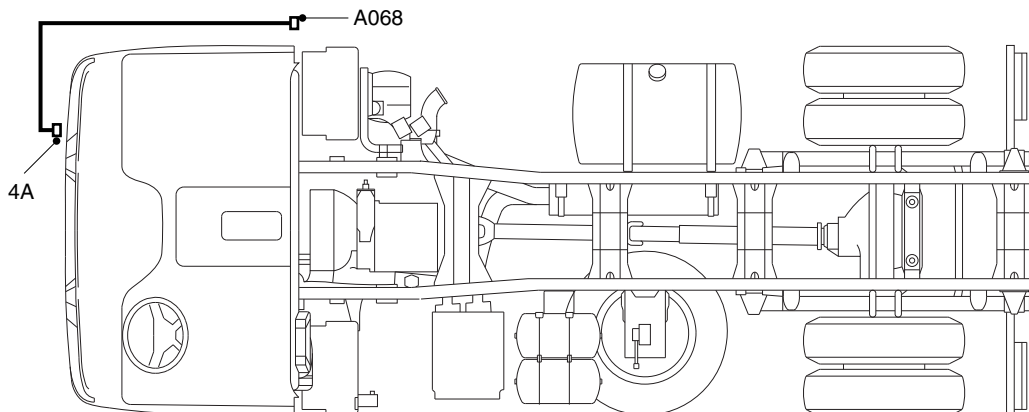
12-pole bulkhead lead-through Engine Speed Control

Connector code 56A

For details on pinning see chapter 7.26: "CF series cab connections" under paragraph "Bulkhead lead-through for engine speed control (ESC)". In addition to this an extension from connector 4A to the chassis is available as an option or via DAF Parts. The connections of the 12 pole econoseal (A068). See chapter 7.27: "CF75 and CF85 series chassis connections" "application connector engine speed control" for details.



7



E502838

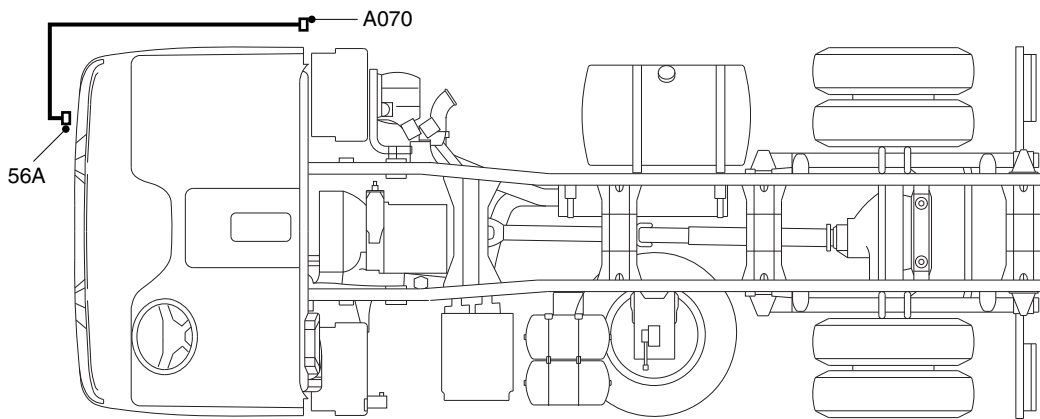
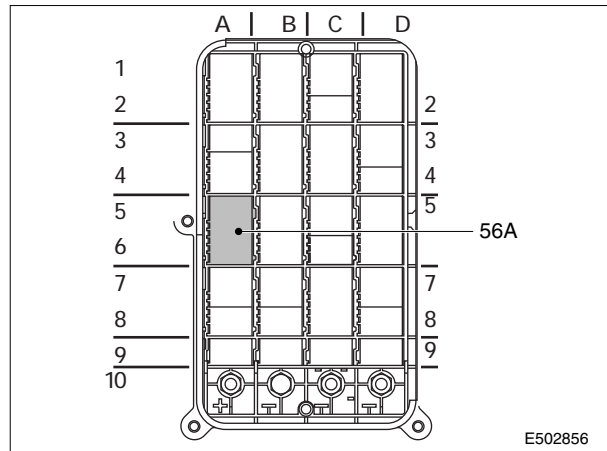
BODYBUILDERS' GUIDELINES

Electrical system

21-pole bulkhead lead-through for accessories

Connector code 56A

For details on pinning see chapter 7.26: "CF series cab connections" under paragraph "Bulkhead lead-through for accessories". In addition to this an extension from connector 56A to the chassis is available as an option or via DAF Parts. The connections of the 21 pole connector 56A will end in 8 pole econoseal (A070). See chapter 7.27: "CF75 and CF85 series chassis connections" "application connector accessories" for details.

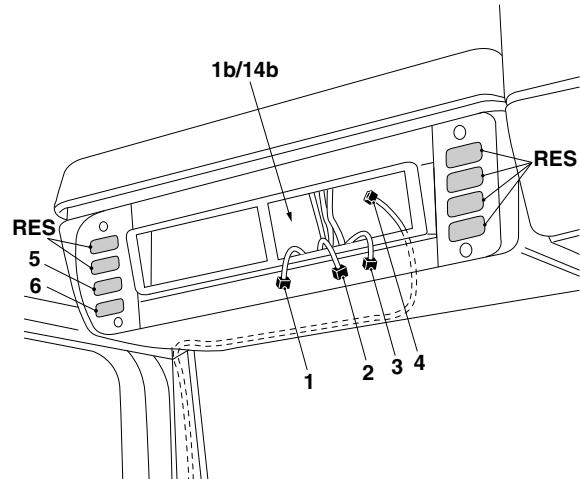


7

7.26 CF SERIES CAB CONNECTIONS

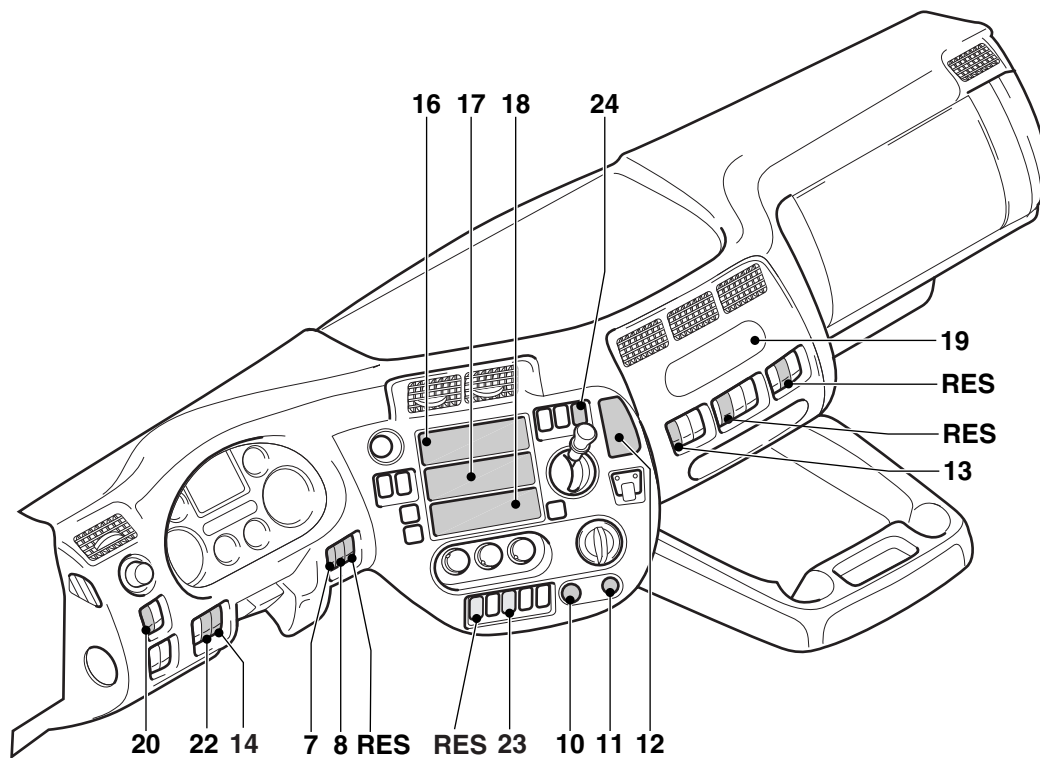
Switch positions, overhead console

- 1 connector
- 1b tachograph location (left hand side)
- 14b spare location (right hand side)
- 2 connector
- 3 connector
- 4 12-pin connector
- 5 rotating beam
- 6 roof spotlights
- RES reserve points



G000279

Switch positions, dashboard



G000520

- 7 PTO2
- 8 PTO1
- 10 cigar lighter 24V/10A
- 11 accessory plug 24V/10A
- 12 telephone location
- 13 alarm switch
- 14 Tail lift active (open) indicator light or PTO3
- 16 radio recess 1

BODYBUILDERS' GUIDELINES

Electrical system

- 17 storage recess 2
- 18 storage recess 3
- 19 fleet management terminal location
- 20 work light / loadspace lighting switch
- 22 Tail lift or kipper indicator light
- 23 Refuse "STOP&GO" switch or reserve point
- 24 Lane departure warning assistance or reserve point
- RES reserve points

For an overview of available switches and symbols, see section 7.17: "DAF dashboardpanel switches and indication lights".

Power supply

Remember the total permissible power supply as stated in section 7.13: "Maximum load".

For details see 7.25: "CF series accessories connections".

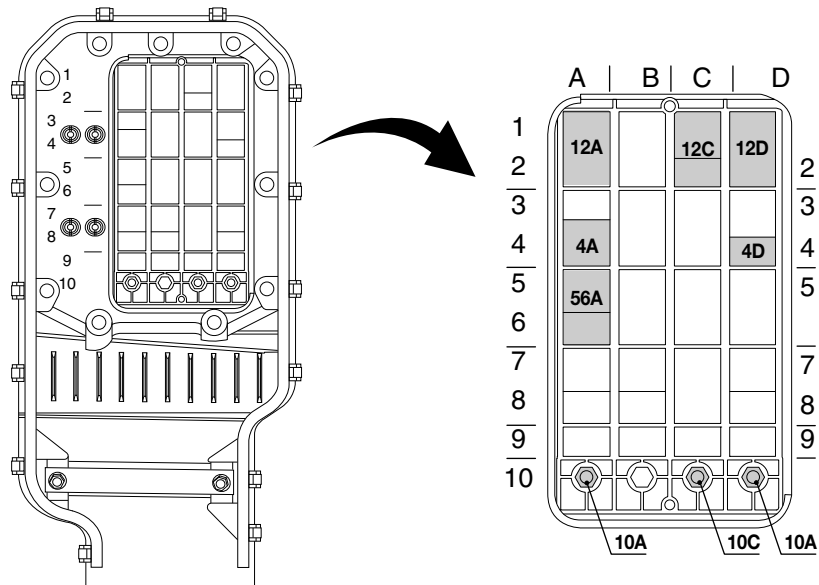
Telephone/fax preparation

For details see 7.25: "CF series accessories connections".

Radio/CB preparation

For details see 7.25: "CF series accessories connections".

Bulkhead lead-through overview



G000388

Con- nector code	Description
12A	Fleet Management Systems (FMS)
12C	Engine torque limit
12D	Bodybuilder functions
4A	Engine Speed Control
4D	PTO control
56A	Accessories / Refuse preparation



All signals mentioned in the tables explaining application connector pinning are active +24V (HS = High Side) and inactive open or 0V (LS = Low Side) unless stated otherwise!

Fleet Management Systems (FMS - connector 12A)

See 7.10: "Data communication CAN SAE J1939 / ISO 11898 (including FMS)"

Engine Torque limit (connector 12C)

See 7.28: "CF65 series ESC system"

Bulkhead lead-through for body functions (connector code 12D)

For the bodybuilding industry, a 21-pin application connector is available, as standard, in the bulkhead lead-through, so that the bodybuilder can subsequently simply take up signals, without interfering with the standard system. The following signals are available:

Pin	Wire	Description	Pin	Wire	Description
1	M40	Earth 20A	12	A8	Reserve radio recess (connector A104)
2	M98	Earth 20A	13	A9	Reserve radio recess (connector A104)
3	3412	Cab locking	14	A10	Reserve radio recess (connector A104)
4	3809	CANopen enable	15	A11	Reserve radio recess (connector A104)
5	A1 / 3772	Reserve (connector A104) / Panic button FMS (connector A098)	16	3842	CANopen Ground
6	A2	Reserve radio recess (connector A104)	17	3810	CAN-L (via BBM)
7	A3	Reserve radio recess (connector A104)	18	3811	CAN-H (via BBM)
8	A4	Reserve radio recess (connector A104)	19	3157	'Engine running' signal
9	A5	Reserve radio recess (connector A104)	20	1154	Power supply before contact 24V/20A, KL30

BODYBUILDERS' GUIDELINES

Electrical system

Pin	Wire	Description	Pin	Wire	Description
10	A6	Reserve radio recess (connector A104)	21	1258	Power supply after contact 24V/20A, KL15
11	A7	Reserve radio recess (connector A104)			

Note: The power supply **before** contact (Kl.30) is fused via fuse E142. The power supply **after** contact is fused via fuse E163. Both the fuses are designed for 25A current. Via E142 also other equipment, like rotating beacons, refrigerator, main beam lights etc. are fused.

The CAN wiring for CAN-H / CAN-L is available in the bulkhead lead-through following assembly of the "BODY BUILDER MODULE" (BBM), which can be ordered as an accessory. CAN wiring for body functions may be up to 40 metres long, provided that a terminal resistor of 120 ohms is installed at the end. The maximum length of the stubs must not exceed 1 metre. The twisted wiring, orange/yellow, with protection, must comply with SAE standard J1939/21.

The option Body Builder CAN default provides communication only from the vehicle to the body. For applications involving the transmission of CAN messages to the vehicle, contact DAF. For special applications and specific customer requirements, DAF can supply the so-called BBM Full, which is described in section 7.44: "Body Builders' Module (Optional)" This offers the possibility of tailor-made solutions.

Bulkhead lead-through for engine speed control (connector code 4A)

DAF-DMCI variant

Pin	Wire	Description	Pin	Wire	Description
1	M37	Earth	7	3143	Enable engine speed control
2	3848	Engine stop, remote (+24V signal)	8	3144	Enable N variable
3	3003	Engine speed output signal (30 pulses per revolution 0-24V)	9	3145	N2
4	3039	Vmax application	10	3146	N3
5	3141	Set -	11	5280	Remote engine start (+24V signal)
6	3142	Set +	12	1240	Power supply after contact KL15

PACCAR-Cummins variant

Pin	Wire	Description	Pin	Wire	Description
1	M37	Earth	7	3143	Enable engine speed control
2	3848	Engine stop, remote (+24V signal)	8	3144	N1
3	3003	Engine speed output signal (30 pulses per revolution 0-24V)	9	3145	N2
4	3039	Vmax application	10	3146	N3
5	3141	No function	11	5280	No function
6	3142	No function	12	1240	Power supply after contact KL15

For a functional description and possibilities, refer to section 7.28: "CF65 series ESC system".

Bulkhead lead-through for PTO (connector code 4D)

Connector/ Pin	Wire	Description	Connector/ Pin	Wire	Description
1	M39	Earth	7	3745	-
2	4594	Remote PTO-1 On/Off	8	-	Reserved for future function
3	3410	PTO-1 status and indication on outside panel	9	4595 / 5149	PTO-2 valve / Chelsea first PTO valve (not for CF65)
4	4596	PTO-1 valve	10	3798	PTO Warning
5	3668	PTO-2 status and indication on outside panel (not for CF65)	11	5241	Remote PTO-2 On/Off (not for CF65)
6	3878	CVSG gauges Databus connection	12	5462	12V for CVSG gauges

Bulkhead lead-through for accessories (connector code 56A)

Connector/ Pin	Wire	Description	Connector/ Pin	Wire	Description
1	9094	Earth EBS trailer	12	3813	CAN 11992/3 high TT-CAN
2	9088	CAN ground line	13	3651	12V power supply from alarm
3	2008	Direction indicator trailer left	14	3659	Alarm input (ground signal)
4	2009	Direction indicator trailer right	15	3660	Alarm input (ground signal)
5	2102	Marker light left	16	3428	EBS trailer warning
6	2103	Marker light right	17	3558	CAN 11992/2 low EBS
7	2152	Rear fog lamp	18	3559	CAN 11992/2 high EBS
8	2155	Body interior lighting / worklamp cab rear	19		
9	4591	Reversing signal	20	1390	KI15 EBS trailer

BODYBUILDERS' GUIDELINES

Electrical system

Con- nector/ Pin	Wire	Description	Con- nector/ Pin	Wire	Description
10	4601	Brake signal	21	1113	Power Supply before contact KL30
11	3812	CAN 11992/3 low TT-CAN			

Extra wiring

See chapter 7.25: "CF series accessories connections".

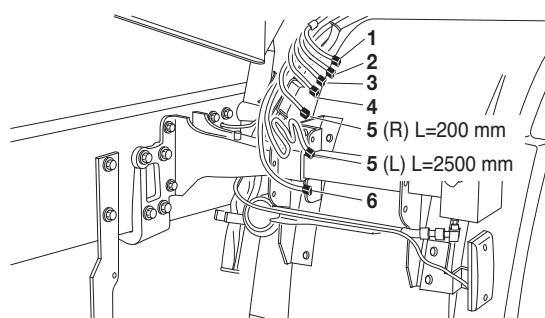
7.27 CF75 AND CF85 SERIES CHASSIS CONNECTIONS

Note:

Following information is NOT valid for CF65 chassis. See 7.21: "LF and CF65 series chassis connections".

Locations of application connectors

- 1 Application connector for accessories
- 2 Application connector for engine speed control
- 3 Application connector for body function spare wires (12-pin and 8-pin)
- 4 Application connector for body function signals
- 5 Connection for side markers (2x)
- 6 Application connector BB-CAN chassis



G000541

Application connector for accessories (connector code A070)

Pin	Wire	Description	Pin	Wire	Description
1	1113	Power supply before contact KL30	5	3651	Alarm 12V power supply for interior detection
2	2155	Body lighting	6	3659	Alarm input (ground signal)
3	4601	Brake signal	7	3660	Alarm input (ground signal)
4	4591	Reversing signal	8	M71 / M21	Earth

Application connector for engine speed control (connector code A068)

DMCI variant

Pin	Wire	Description	Pin	Wire	Description
1	M37	Earth	7	3143	Enable engine speed control
2	3848	Engine stop, remote (+24V signal)	8	3144	Enable N variable

Pin	Wire	Description	Pin	Wire	Description
3	3003	Engine speed output signal	9	3145	N2
4	3039	Vmax application	10	3146	N3
5	3141	Set -	11	5280	Remote engine start (+24V)
6	3142	Set +	12	1240	Power supply after contact KL15

Application connector for body functions (connector code A104)

12-pin Econoseal

Pin	Wire	Description	Pin	Wire	Description
1	A1 / 3772	Reserve radio recess emergency button FMS system	7	A7	Reserve radio recess
2	A2	Reserve radio recess	8	A8	Reserve radio recess
3	A3	Reserve radio recess	9	A9	Reserve radio recess
4	A4	Reserve radio recess	10	A10	Reserve radio recess
5	A5	Reserve radio recess	11	A11	Reserve radio recess
6	A6	Reserve radio recess	12		

8-pin Econoseal (connector code A102)

Pin	Wire	Description	Pin	Wire	Description
1	1154	Power supply before contact KL30 20A	5		
2	1258	Power supply after contact KL15 20A	6		
3	3157	'Engine running' signal	7	M40	Earth 20A
4	3412	Cab locking open signal	8	M98	Earth 20A

Side marker lights

At the position of the first side marker behind the cab, on right-hand side, there are two cables with a 2-pin connector. Both connectors contain wire numbers 2102 and 2103. Side markers and top lights can be connected from here using the cable harnesses that are mentioned in chapter 8.5: "Electric cable contour lights chassis"

7-pin DIN (connector code A105)

Pin	Wire	Description	Pin	Wire	Description
1	1154	Power supply before contact KL30 20A 2.5 mm ²	5	3842	CANopen ground
2	M982	Earth 2.5mm ²	6	3810	BB-CAN High via BBM
3	3809	CANopen enable	7		Spare
4	3811	BB-CAN Low via BBM			

BODYBUILDERS' GUIDELINES

Electrical system

7.28 CF65 SERIES ESC SYSTEM

CF65 Series ESC control

Applicable selection codes:

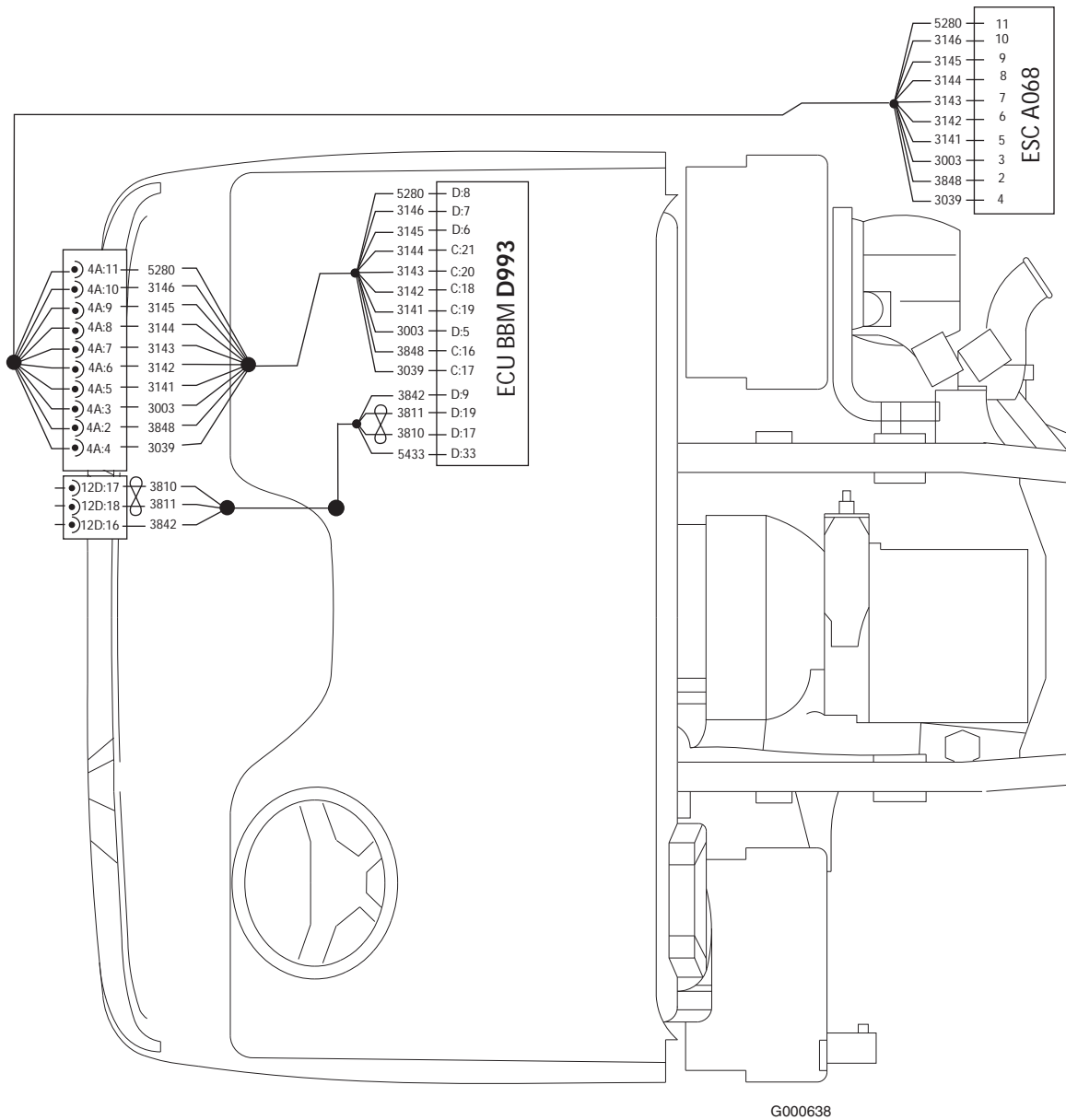
0761: without engine speed control connector
0797: with engine speed control cab connector
9231: with engine speed control chassis connector

Note:

Connector 4A is always present due to standardisation. If selco 0797 is selected, the corresponding functionality is also present (correct BBM software).

For part numbers of the bulkhead connectors check chapter 8.4: "Electric connector parts cabine (CF75-85 and XF Series)".

Applicable application connectors in cab and chassis depending on selection code:



G000638

7

Selection code 0797: Cab Connector 4A				
Pin	Wire	Description	Active low (1) Active high (2)	Pin on BBM (ECN code: D993)
1	M37	Ground	-	MAA-2
2	3848	Engine Stop	AH	C:16
3	3003	Engine speed output signal	AL (3)	D:5
4	3039	Vmax special application	AH	C:17
5	3141	Set + Esc	AH	C:19
6	3142	Set - Esc	AH	C:18
7	3143	ESC enable	AH	C:20

BODYBUILDERS' GUIDELINES

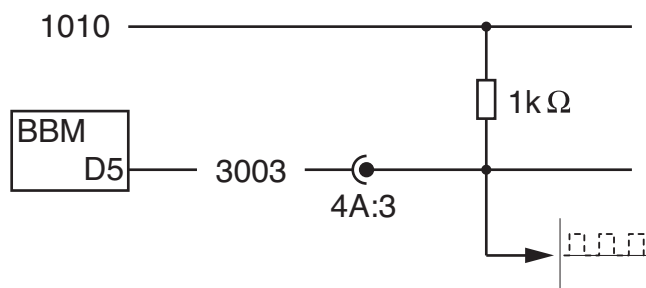
Electrical system

Selection code 0797: Cab Connector 4A				
Pin	Wire	Description	Active low ⁽¹⁾ Active high ⁽²⁾	Pin on BBM (ECN code: D993)
8	3144	N Variable	AH	C:21
9	3145	ESC N2	AH	D:6
10	3146	ESC N3	AH	D:7
11	5280	Engine start	AH	D:8
12	1240	Power supply after contact		AD-16C-1

(1) Active low: function is activated if pin is grounded.

(2) Active high: function is activated if pin is connected to battery plus (12 V minimum).

(3) This engine speed signal corresponds to 30 pulses per crankshaft revolution. A "Pull Up" resistor must be fitted in accordance with Figure A.



G000545

Figure A: location of "Pull Up" resistor

Selection code 9231: Chassis Connector A068				
Pin	Wire	Description	Active low ⁽¹⁾ Active high ⁽²⁾	Pin on BBM (ECN code: D993)
1	M37	Ground	-	MAA-2
2	3848	Remote Engine Stop (with BBM only)	AH	C:16
3	3003	Engine speed output signal	AL	D:5
4	3039	Vmax special application	AH	C:17
5	3141	Set+ESC	AH	C:19
6	3142	Set- ESC	AH	C:18
7	3143	ESC enable	AH	C:20
8	3144	ESC N1 / N_variable	AH	D:5
9	3145	ESC N2 / Set+	AH	D:6
10	3146	ESC N3 / Set-	AH	D:7
11	5280	PTO on / Off remote	AH	D:8
12	1240	Power supply after contact	-	AD-16C-1

(1) Active low: function is activated if pin is grounded.

(2) Active high: function is activated if pin is connected to battery plus (12 V minimum).

Purpose of the function

The purpose of the engine speed control system is to enable the engine speed to be adjusted between idling speed and the maximum speed. This adjustable engine speed is used, among other things, to drive auxiliary consumers via a PTO. The engine speed control can be used while driving or when idling by setting the correct customer parameters using DAVIE. The engine speed control can be enabled by the driver using the steering wheel switches, if the correct selection codes have been chosen, through the superstructure equipment via the relevant application connector (A068 hardwired). Enabling the engine speed control via one of the application connectors takes priority over the steering wheel switches.

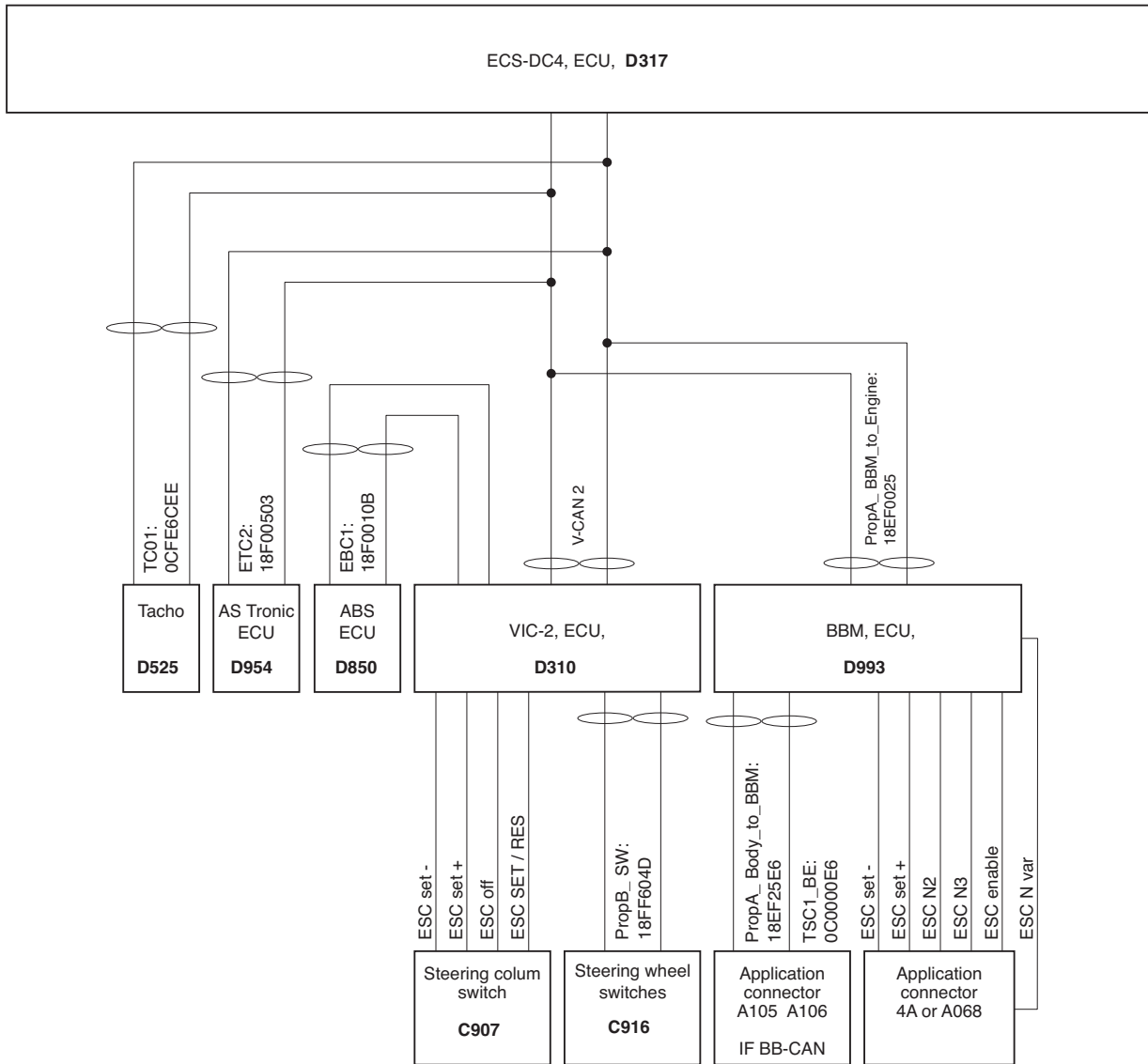
Schematic overview of ESC system control

The diagram below provides a schematic overview of the engine speed control. The two main groups for controlling the engine speed control can be identified as follows:

1. Enabling engine speed control by the driver via the VIC (Vehicle Intelligence Centre)
 - Steering wheel switches
 - Steering column switch
2. Enabling engine speed control by the body via the BBM (Body Builder Module)
 - Cab application connector (4A connector)
 - Chassis application connector (A068 connector)

BODYBUILDERS' GUIDELINES

Electrical system



G000639

General ESC system layout

CAN signal description				
CAN Message name	Message id	Used CAN Signals for ESC	Startbit	Length
TC01	0CFE6CEE	Tachograph vehicle speed	48	16
PropB_SW	18FF604D	Cruise control resume switch	16	2
		Cruise control off switch	18	2
		Cruise control accelerate switch	20	2
		Cruise control coast switch	22	2

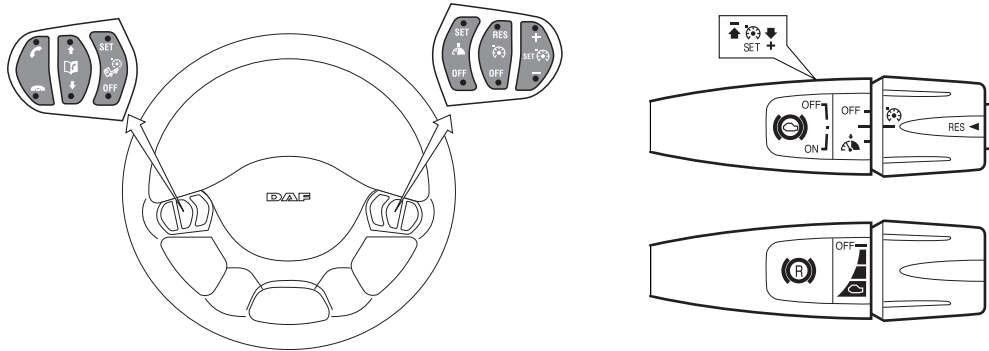
CAN signal description				
CAN Message name	Message id	Used CAN Signals for ESC	Startbit	Length
CCVS	18FEF100	Parking brake switch	2	2
		Cruise control active	24	2
		Cruise control enable switch	26	2
		Brake switch	28	2
		Clutch switch	30	2
		Cruise control set switch	32	2
		Cruise control coast switch	34	2
		Cruise control resume switch	36	2
		Cruise control accelerate switch	38	2
		Cruise control set speed	40	2
		Cruise control state	53	2
EBC1	18F0010B	EBS brake switch	6	2
ETC2	18F00503	Selected gear	0	8
PropA_BB_M_ to_Engine	18EF25E6	Engine start	42	2
		ESC enable	48	2
		ESC set minus	50	2
		ESC n variabel	52	2
		ESC set plus	54	2
		Application speed limiter	56	2
		ESC N2	58	2
		ESC N3	60	2
		Engine stop	62	2

Enabling engine speed control by the driver

As is evident from the schematic overview, the VIC can receive the engine speed control signals from the steering wheel switches (via CAN) or via the steering column switch (hardwired). The VIC translates these signals into a CAN message, which is sent to the engine control unit. The steering column switches and the steering wheel switches have the same engine speed control operating functions, namely: "SET+", "SET-", "SET", "RESUME" AND "OFF".

BODYBUILDERS' GUIDELINES

Electrical system



Steering wheel switches and stalk lever switches.

G000391

Operating functions of the steering wheel switches

Function	Standard setting	Choices in ECS-DC4 (D317) via DAVIE (CP = customer parameter)
SET + SET -	Brief operating ⁽²⁾ of "SET +" during engine speed control activates the set speed engine speed. The activation reacts on the falling edge of the signal.	CP 2-16
	Brief operation ⁽²⁾ of "SET -" during engine speed control activates the resume speed engine speed. The activation reacts on the falling edge of the signal.	CP2-17
	Long operation ⁽¹⁾ of "SET +" during engine speed control gives a continuous increase of the preset desired speed (default 250 rpm/s). This function can only be enabled after activation of the set speed once.	0<ramp<400 [rpm/s] CP2-22
	Long operation ⁽¹⁾ of "SET -" during engine speed control gives a continuous decrease of the preset desired speed (default 250 rpm/s). This function can only be enabled after activation of the set speed once.	0<ramp<400 [rpm/s] CP2-22
	The desired engine speed can be varied using "set +/-" between minimum and the maximum speed to be set.	N_idling<speed limit<N_max (rpm) via CP2-15 and CP2-14
Res	Operating "Res" activates the engine speed control and sets the engine speed to the value entered using CP2-17 (default 1200 rpm). Activation by operating "Res" (resume) button twice. With this "Res" button the operation can toggle between N1 and N2..	To be set using CP2-17 between the values set using CP2-14 and CP2-15
OFF	Engine speed control is switched off using the "OFF" button.	

(1) Long operation: touch time>0,1s

(2) Brief operation: touch time<0,1s

Switch on and off conditions

To make engine speed control possible, a number of (default) cut-in conditions must be met, namely:

- The handbrake must be engaged. (CP2-32)
- The vehicle speed must not be faster than 10 km/h. (CP2-11)

- Clutch pedal is not operated. (CP2-34)
- Brake pedal is not operated. (CP2-33)
- Engine brake foot pedal is not operated. (no CP)

In addition, there are a number of faults that can be checked, which, if active, prevent the engine speed control from being activated.

- No faults are active that relate to vehicle speed.
- No faults are active that relate to Set+/Set-plausibility
- No faults are active that relate to engine speed.
- No faults are active that relate to CAN communication.
- No faults are active that relate to clutch signal plausibility.
- No faults are active that relate to handbrake signal.
- No faults are active that relate to clutch signal.
- No faults are active that relate to a neutral gearbox signal.

If, for the body function, it is necessary to deviate from the standard options tested and released by DAF, DAF shall no longer be responsible for the operation. The implementation of non-standard body functions and the possible consequences are the responsibility of the user (generally the bodybuilder), who then bears product liability.

If the above conditions are met, the application connector can be used in various ways to activate the engine speed control, namely via:

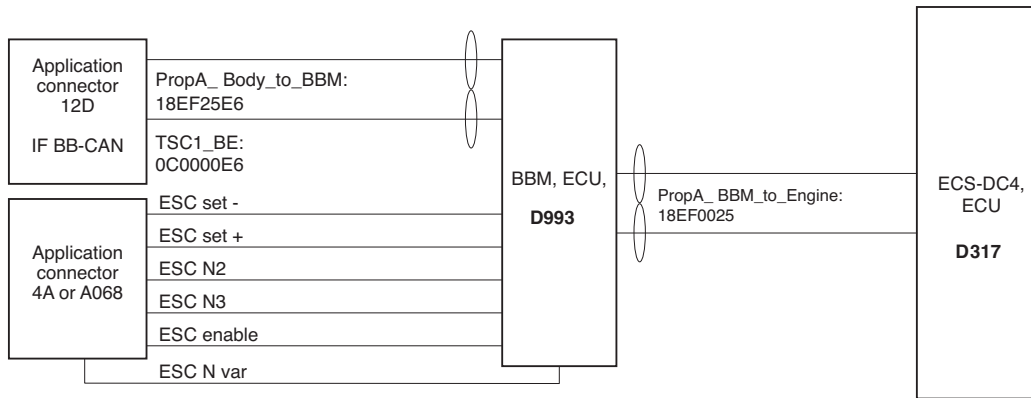
	Hardwired or CAN	Activation	Priority⁽¹⁾
Application connector	Hardwired	ESC enable	1
PropA_Body_to_BB	CAN	ESC enable	2

(1) If a unit is active and a unit with a higher priority is activated, the unit with the highest priority will become active immediately. Only one unit of the above variations can be active, so no combination of various units is possible.

The above table indicates that hardwired activation has the highest priority followed by activation via CAN.

BODYBUILDERS' GUIDELINES

Electrical system



G000640

Hardwired activation of engine speed control

For operating the engine speed control through the body connection (see relevant selco's), the same functions, cut-in and cut-out conditions, and customer choices are offered as for the engine speed control through the steering wheel or column switch. The functions "SET+" and "SET-" are controlled using pulse and continuous signals. Via the hardwired input on the application connector, two engine speeds N2 or N3 are to be reprogrammed and a variable speed (Nvar) are also to be activated. To activate these speeds the engine speed control first must be enabled by providing a high signal on pin 7 of the cab connector 4A or chassis connector A068. Then N2 and N3 can be activated providing a high signal on pins 10 and 11 respectively of this connector and if a high signal is provided on pin 8 of the above connectors, Nvar is activated. It is not possible to wire the ESC enable and N2 or N3 together to switch ESC on. The ESC enable must be switched on before the required set speed is switched on.

7

Operating functions of the application connector (4A or A068)		
Function ⁽¹⁾	Standard setting	Choice in ECS-DC4 via DAVIE (CP = customer parameter)
Enable ESC	If the engine speed control function is activated and the vehicle speed is lower than the limiting speed for engine speed control + 5 km/h, the engine speed control is enabled through the body connection. At the same time, operation via the steering column switch is blocked.	

Operating functions of the application connector (4A or A068)		
Function ⁽¹⁾	Standard setting	Choice in ECS-DC4 via DAVIE (CP = customer parameter)
SET + SET - Pulsing ⁽²⁾ or continuous ⁽³⁾	Operating "SET+/-" switches the engine speed control on and sets the current engine speed as the desired speed (constant value).	
	Brief operation of "SET +/-" during engine speed control gives a stepped increase or reduction of the engine speed (default 25 rpm).	0<step<400 [rpm] via CP2-20 and CP2-38
	Long operation ⁽⁴⁾ of "SET +/-" during engine speed control gives a continuous increase or reduction of the preset desired speed (default 200 rpm/s).	0<ramp<400 [rpm/s] via CP2-18 and 2-19
	When "SET+/-" is released, the current engine speed is set as the new desired engine speed	
	The desired engine speed can be varied using "SET +/-" between the minimum and the maximum speed to be set.	N_idling<speed limit<Nmax (0 rpm) via CP2-15 and CP2-14
N_variable	Operating "Enable N_variable" activates the engine speed control and sets the last desired engine speed set using SET+ and SET-. This value is also memorised when the ignition is switched off. Varying the desired speed is possible using SET+/- but only if the input "Enable N_variable" is activated.	
N_2	Operating "N2" activates the engine speed control and sets the engine speed to the value entered using CP2-16 (default 800 rpm).	To be set using CP2-28 between the values set using CP2-15 and CP2-14
N_3	Operating "N3" activates the engine speed control and sets the engine speed to the value entered using CP2-17 (default 1200 rpm).	To be set using CP2-29 between the values set using CP2-15 and CP2-14
V_max application ⁽⁵⁾	If the Vmax application input is activated by providing a 24 V signal, the vehicle speed is limited to the pre-programmed value (default 30 km/h).	Adjustable using CP2-10 between a value of 10 and 24km/h ⁽⁶⁾
Engine speed	Output signal, square-wave, 30 pulses per revolution; LS pulse	

- (1) If operated simultaneously, the priority is as follows (high to low): "enable ESC", "N2", "N3", "Nvar" (set+/-)
 (2) Pulse signal; when rising edge reaches value of 0,6xUbat
 (3) Continuous signal; "high" at a voltage level of 0,6xUbat and "low" if below a level of 0,4xUbat
 (4) Long operation; touch time>0,1s
 (5) Special applications (e.g. refuse vehicles)
 (6) Contact Sales engineering for speed limit higher than 24km/h

Activation of engine speed control via CAN message PropA_Body_to_BBM

In addition to calling up two, pre-set target speeds via the hardwired option, it is also possible, providing selection code 9562 "with application connector body builder CAN" has been chosen, to activate these target speeds via CAN. To be

BODYBUILDERS' GUIDELINES

Electrical system

able to use this functionality, the body must provide CAN message PropA_Body_to_BBM with identifier 18_EF_25_E6 to pin 17 and 18 of connector 12D. The data that must be provided in this message is as follows:

Signal name	Byte	Bit	Type	Offset	Min	Max	Unit	Comments
ESC enable	7	2,1	Status	-	0	3	-	00 _b =passive 10 _b =error 01 _b =active 11 _b =not available
ESC set min	7	4,3	Status	-	0	3	-	00 _b =passive 10 _b =error 01 _b =active 11 _b =not available
ESC N variable	7	6,5	Status	-	0	3	-	00 _b =passive 10 _b =error 01 _b =active 11 _b =not available
ESC set plus	7	8,7	Status	-	0	3	-	00 _b =passive 10 _b =error 01 _b =active 11 _b =not available
ESC N2	8	4,3	Status	-	0	3	-	00 _b =passive 10 _b =error 01 _b =active 11 _b =not available
ESC N3	8	6,5	Status	-	0	3	-	00 _b =passive 10 _b =error 01 _b =active 11 _b =not available
Engine requested Speed Control Conditions	5	4,3	Status	-	0		-	00 _b =override disabled 01 _b =Speed control 10 _b =Torque control 11 _b =Speed/Torque limit control
Engine Override Control mode	5	-2,1	Status	-	0	3	-	00 _b =Transient optimized for driveline disengaged and non-lockup conditions 01 _b = Stability optimized for driveline disengaged and non-lockup conditions 10 _b = Stability optimized for driveline engaged and/or in lockup condition 1 11 _b = Stability optimized for driveline engaged and/or in lockup condition 2

Signal name	Byte	Bit	Type	Offset	Min	Max	Unit	Comments
Engine requested Speed/ Speed limit	4,3		Value	-	0	803 1,87 5	Rpm	
Engine requested Torque/ Torque limit	2		Value	-125	-125	125	%	

In message PropA_Body_to_BBM the commands that are provided through the hardwired option may also be provided via CAN, as is evident from the table. In addition, contrary to earlier releases, a torque/speed limit can be forced via this message by selecting the correct CAN configuration of the message provided. This function makes it possible to select any speed between the limits defined using customer parameters (2-14 and 2-15) via the Body Builder CAN.

By way of clarification, an example of the content of the PropA_Body_to_BBM message is given below.

PropA_Body_to_BBM (18 EF 25 E6)												
Name	Source	Destination	Direction	Data Length Code	DATA: 01 00 E2 04 F0 F7 41 04							
PropA_Body_to_BBM	E6	5	X	8	Byte 1	Byte 2	Byte 3	Byte 4	Byte 5	Byte 6	Byte 7	Byte 8
					01	00	E2	04	F0	F7	41	04

signal	Physical value	Byte / bit number	(b) = Binair (h) = Hexagonal value	Comment
Requested_Torque_Torque_limit	-125%	Byte 2	00(h) 0000 000(b)	Physical value = (CAN data x rise/scale) + offset = (0 x 1/1) + (-125) = -125%
Requested_Speed_Speed_limit	1250 rpm	Byte 4,3	04 E2(h) 0000 0100 1110 0010(b)	Physical value = (CAN data x rise/scale) + offset = (1250 x 1/1) + 0 = 1250 rpm
Requested_Speed_Control_Condition	00 _b = override disabled	Byte 5 bit 4,3	F0(h) 1111 0000(b)	(00)
Override_Control_Mode	00 _b =Transient optimized for driveline disengaged and non-lockup conditions	Byte 5 bit 2,1	F0(h) 1111 0000(b)	(00)

BODYBUILDERS' GUIDELINES

Electrical system

signal	Physical value	Byte / bit number	(b) = Binair (h) = Hexagonal value	Comment
ESCn3	00 _b =passive	Byte 8 bit 6,5	04(h) 0000 0100(b)	(00)
ESCn2	01 _b =active	Byte 8 bit 4,3	04(h) 0000 0100(b)	(01)
ESCn_variable	00 _b =passive	Byte 7 bit 6,5	41(h) 1000 0001(b)	(00)
ESC_set_plus	01 _b =active	Byte 7 bit 8,7	41(h) 0100 0001(b)	(01)
ESC_set_minus	00 _b =passive	Byte 7 bit 4,3	41(h) 1000 0001(b)	(00)
ESC_enable	01 _b =active	Byte 7 bit 2,1	41(h) 0100 0001(b)	(01)
Engine_stop	00 _b =passive	Byte 8 bit 8,7	04(h) 0000 0100(b)	(00)
Engine_start	01 _b =active	Byte 6 bit 4,3	F7(h) 1111 0111(b)	(01)
Application_speed_limiter	00 _b =passive	Byte 8 bit 2,1	04(h) 0000 0100(b)	(00)

7

In addition to various cut-in conditions, the cut-out conditions must also be taken into account. These cut-out conditions are:

- The handbrake must be disengaged. (CP2-32)
- The vehicle speed is higher than limit value + offset (10+5=15 km/h). (CP2-11)
- Clutch pedal is operated. (CP2-34)
- Brake pedal is operated. (CP2-33)
- Engine brake foot pedal is operated. (no CP)

In addition, there are a number of faults that are checked and if active, the engine speed control should be switched off:

- A vehicle speed fault is active.
- A plausibility fault is active on the set+/set-switches.
- An engine speed fault is active.
- A fault that relates to the CAN communication is active.
- A plausibility fault is active that relates to the clutch signal.
- A fault is active that relates to the handbrake signal.
- A fault is active that relates to the clutch signal.
- A fault is active that relates to the neutral signal of the gearbox.

In addition to the cut-in and cut-out conditions, the system also has a number of overrule conditions. An overrule condition means that the control under which the system is operating at that point is temporarily suppressed. These overrule conditions are:

- Accelerator pedal operation. (CP 2-30)
The accelerator pedal can be used to temporarily increase the engine speed up to a maximum value preset under customer parameter 2.14 (max. ESC speed).
- Exceeding vehicle speed limit. (CP 2-11)
- ASR activation.
- Speed limiter activation.

Customer ⁽¹⁾ parameter	ENGINE SPEED CONTROL		
2-14	MAX ESC SPEED.	DMCI	Rpm
2-15	MIN ESC SPEED	DMCI	Rpm
2-16	ACCELERATION RAMP CONTINUOUS DOWN ESC	DMCI	Rpm/s
2-17	ACCELERATE UP PER TIP	DMCI	Rpm/tip
2-21	DECELERATE DOWN PER TIP	DMCI	Rpm/tip
2-22	ACCELERATE FROM IDLE TO TARGET SPEED IN ESC	DMCI	Rpm/s
2-27	ESC CHANGE STEERING COLUMN N VARIABLE	DMCI	Rpm
2-28	ESC CHANGE APPLICATION CONN. N2	DMCI	Rpm
2-29	ESC CHANGE APPLICATION CONN. N3	DMCI	Rpm

(1) For changing default parameter settings see chapter 7.52: "Guideline for the Customer Parameter Change Form"

Customer ⁽¹⁾ parameter	ENGINE SPEED CONTROL CONDITIONS		
2-30	ACCEL. PEDAL	DMCI	ACTIVE/NOT ACTIVE
2-31	MAX RPM ACCELERATOR PEDAL	DMCI	Rpm
2-32	PARK BRAKE	DMCI	ACTIVE/NOT ACTIVE
2-33	BRAKE	DMCI	ACTIVE/NOT ACTIVE
2-34	CLUTCH	DMCI	ACTIVE/NOT ACTIVE

(1) For changing default parameter settings see chapter 7.52: "Guideline for the Customer Parameter Change Form".

BODYBUILDERS' GUIDELINES

Electrical system

7.29 CF65 SERIES FMS SYSTEM

Applicable selection codes:

8360: without Fleet Management System

6407: with Fleet Management System

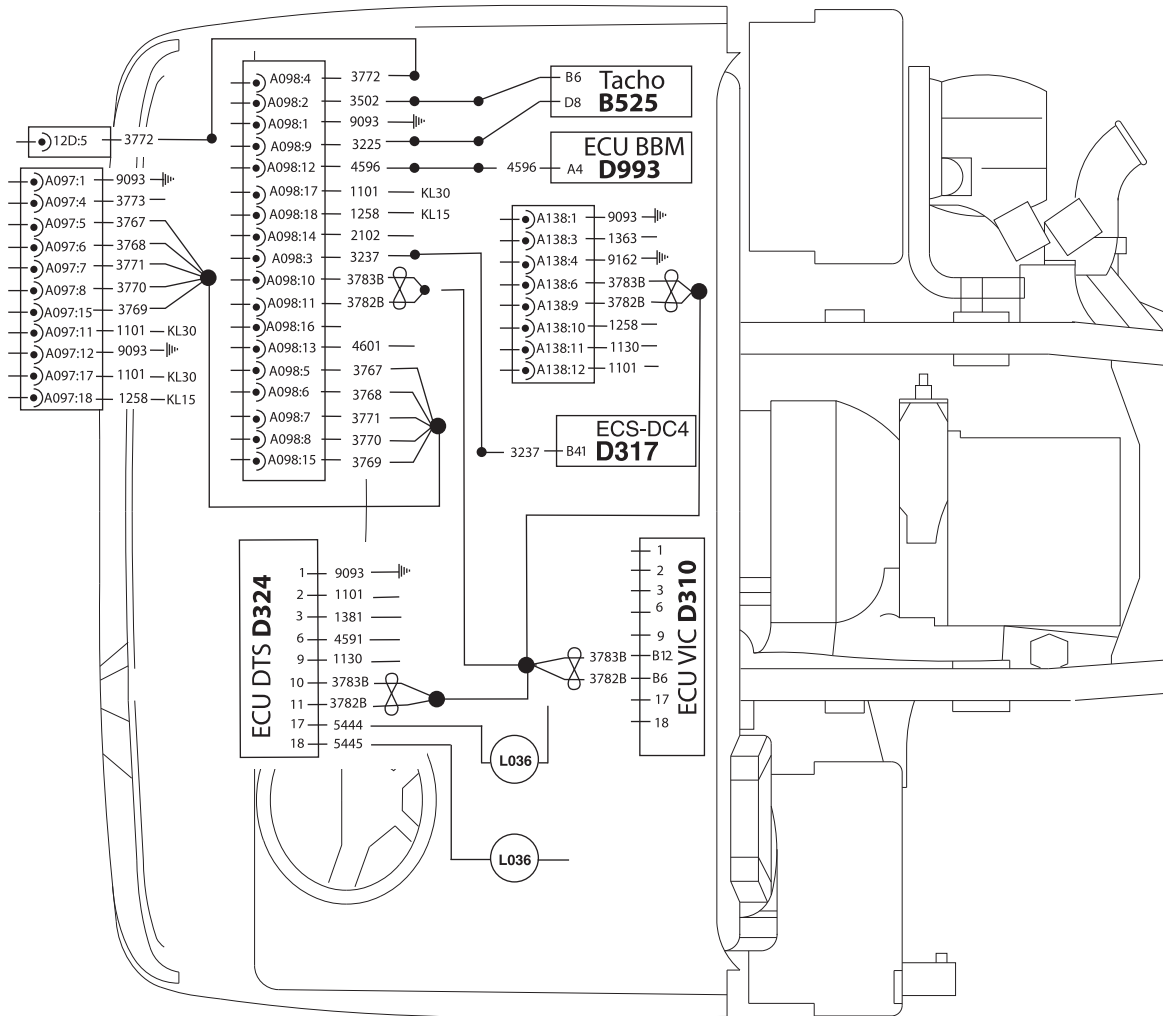
preparation

9990: with DAF Telematics System preparation

1075: with DAF Telematics System

Applicable FMS application connectors

cabine:



G000637

**Selection code 6407: FMS prepared
(Cab Connector A098 in location D878; central box dashboard)**

Pin	Wire	Description	Active low Active high	Pin on ECU or connector	
1	9093	Ground			
2	3502	Vehicle speed		B525	B6
3	3237	Engine speed		D965	B1
4	3772	Interconnection to 12D		12D	5
5	3767	Interconnection to A097		A097	5

BODYBUILDERS' GUIDELINES

Electrical system

Selection code 6407: FMS prepared (Cab Connector A098 in location D878; central box dashboard)					
Pin	Wire	Description	Active low Active high	Pin on ECU or connector	
6	3768	Interconnection to A097		A097	6
7	3771	Interconnection to A097		A097	7
8	3770	Interconnection to A097		A097	8
9	3225	DTCO		B525	D8
10	3783B	DCAN-H		D310	B12
11	3782B	DCAN-L		D310	B6
12	4596	PTO	AH	D993	A4
13	4601	Stop Lights	AH	G036	C8
14	2102	Marker Lights	AH	E000 (10A)	
15	3769	Interconnection to A097		A097	9
16	-	-	-	-	
17	1101	KL30		E084 (10A)	
18	1258	KL15		E163 (25A)	

Selection code 6407: FMS prepared (Cab Connector A097 (in location 12A of the bulkhead connector)					
Pin	Wire	Description	Active low Active high	Pin on ECU or connector	
1	9093	Ground			
2					
3					
4	3773	Interconnection to A098			
5	3767	Interconnection to A098		A098	5
6	3768	Interconnection to A098		A098	6
7	3771	Interconnection to A098		A098	7
8	3770	Interconnection to A098		A098	8
9					
10					
11	1101	KL30		E084 (10A)	
12	9093	Ground			
13					
14					
15	3769	Interconnection to A098		A098	15
16					
17	1101	KL30		E084 (10A)	
18	1258	KL15		E163 (25A)	
19					
20					
21					

BODYBUILDERS' GUIDELINES

Electrical system

Selection code 6407: FMS prepared (Cab Connector A138)					
Pin	Wire	Description	Active low Active high	Pin on ECU	
1	9093	Ground			
2					
3	1363	12V		D878	D1
4	9162	Ground			
5					
6	3783B	DCAN-H		D310	B12
7					
8					
9	3782B	DCAN-L		D310	B6
10	1258	KL15 CAN		E163 (25A)	
11	1130	Accessoires		C933	A6
12	1101	KL30 CAN		E084 (10A)	

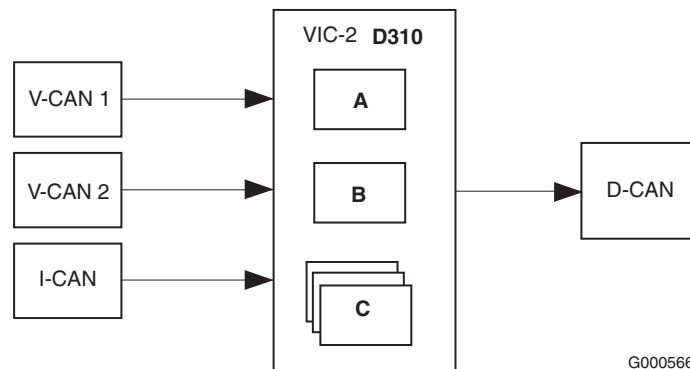
Selection code 9990 DTS prepared / Selection code 1075: DTS (ECU unit D324)					
Pin	Wire	Description	Active low Active high	Pin on ECU	
1	9093	Ground			
2	1101	KL30 CAN		E084 (10A)	
3	1381	KL15 CAN		E351 (10A)	
4					
5					
6	4591	Reverse lights		D350	D23
7					
8					
9	1130	Accessoires		C933	A6
10	3783B	DCAN-H		D310	B12
11	3782B	DCAN-L		D310	B6
12					
13					
14					
15					
16					
17	5444	Loudspeaker		L036	C1
18	5445	loudspeaker		L036	D1

7

Purpose of the function

FMS stands for **F**leet **M**anagement **S**ystem and is used to provide information about condition of the vehicle to the fleet owner for logistic purposes. The (wireless) transmission of the data from vehicle to user is performed by a third party ECU which will get the data provided by the VIC-2 via de D-CAN interface.

The main vehicle manufacturers, including DAF, have together agreed on the data to be universally provided for these FMS systems via the CAN link. Third parties are able to connect and to get the data from the truck CAN bus system. This document describes which D-CAN messages will to be supported via the FMS prepared selco 6407 or the DTS (DAF Telematics System) prepared selco 9990.



G000566

- A D-CAN gateway for FMS standard messages
- B D-CAN gateway for additional DTS messages
- C PLC functions

From week 2008-13 in total three connectors are available for connecting to the D-CAN bus were the FMS messages will be broadcasted. One of these three connectors is the standardised 12-pins FMS connector and is called A138.

A Fleet Management System needs some specific information to know which CAN-data is available and how to handle this CAN-data. This information is send in the CAN-message "FMS standard software version supported". This CAN-message is accepted by SAE J1939. Before there was no standard CAN-message and DAF would send the CAN-message "FMS standard information".

The following table describes the amount of data which will be send by DAF on the D-CAN for FMS preparation and DTS preparation.

BODYBUILDERS' GUIDELINES

Electrical system

Message	Message ID ⁽¹⁾	Repetition Rate (ms)	FMS Prepared Selco 6407	DTS Prepared Selco 9990
EEC2	0C F0 03 00	50	X	X
EEC1	0C F0 04 00	20	X	X
Engine hours revolution	18 FE E5 00	On request	X	X
Vehicle Identification	18 FE EC EE	On request	X	X
High Resolution Vehicle Distance	18 FE C1 EE	1000	X	X
TC01	0C FE 6C EE	50	X	X
Engine temperature	18 FE EE 00	1000	X	X
Fuel economy	18 FE F2 00	100	X	X
Service	18 FE C0 27	1000	X	X
Dash display	18 FE FC 27	1000	X	X
FMS standard interface	1C FD D1 27	10000	X	X
Fuel consumption	18 FE E9 00	1000	X	X
DM1	18 FE CA XX	1000		X
TP_DT (BAM)	1C EB FF XX	-		X
TP_CM	1C EC FF XX	-		X
DM1 VIC	18 FE CA 27	1000		X
TP_DT (BAM)	1C EB FF XX	-		X
TP_CM	1C EC FF XX	-		X
PropB_BBM	18 FF 82 25	250		X
ERC1_XR	18 F0 00 29	100		X
ERC1_DR	18 F0 00 10	100		X
EBC1	18 F0 01 0B	100		X
Ambient conditions	18 FE F5 00	1000		X
Inlet / exhaust conditions	18 FE F6 00	500		X
Engine fluid level pressure	18 FE EF 00	500		X
Time date	18 FE E6 EE	1000		X
Tank information #1	18 FE 56 3D	1000		X
Driver information	18 FE 6B EE	On request		X
Combination vehicle weight	18 FE 70 0B	On request		X
ETC2	18 F0 05 03	100		X
Operator wiper and washer controls	18 FD CD 27	100		X
Operator external Light controls	18 FD CC 27	100		X
Cab illumination	18 D0 FF 27	5000		X
Vehicle hours	18 FE EC 27	1000		X

(1) For detailed message content see equivalent documents ("FMS CAN message overview.pdf" or "DTS CAN message overview.pdf") on the information sheet web page. (The Internet URL for the corporate DAF website is: www.daf.com -> follow the main menu item: "Products" -> Bodybuilder guidelines webpage -> Information Sheet webpage)

Terminator resistor D-CAN

FMS and DTS prepared are connected at the end of the D-CAN bus and therefore a terminator resistor is required. Vehicles with FMS prepared are ex-factory equipped with a terminator resistor in connector A098 on pin 10 and 11. Depending on the connected FMS system (with or without internally terminator resistor) one terminator resistor has to be fitted at the end of the D-CAN bus. In the table below the different situations are described.

	Terminator resistor in A098	Terminator resistor in A138
No FMS system connected	Yes	No
FMS with internal terminator resistor	No	No
FMS connected to A098 without terminator resistor	No	Yes
FMS connected to A138 without terminator resistor	Yes	No

7.30 CF75 - CF85 ESC SYSTEM

CF75 - CF85 Series ESC control

Note:

Following information, except the PR engine related data, is also valid for the XF Series.

Applicable selection codes:

0761: without engine speed control connector
 0797: with engine speed control cab connector
 9231: with engine speed control chassis connector
 9560: without body builder CAN/without CAN open
 9562: with application connector body builder CAN

Note:

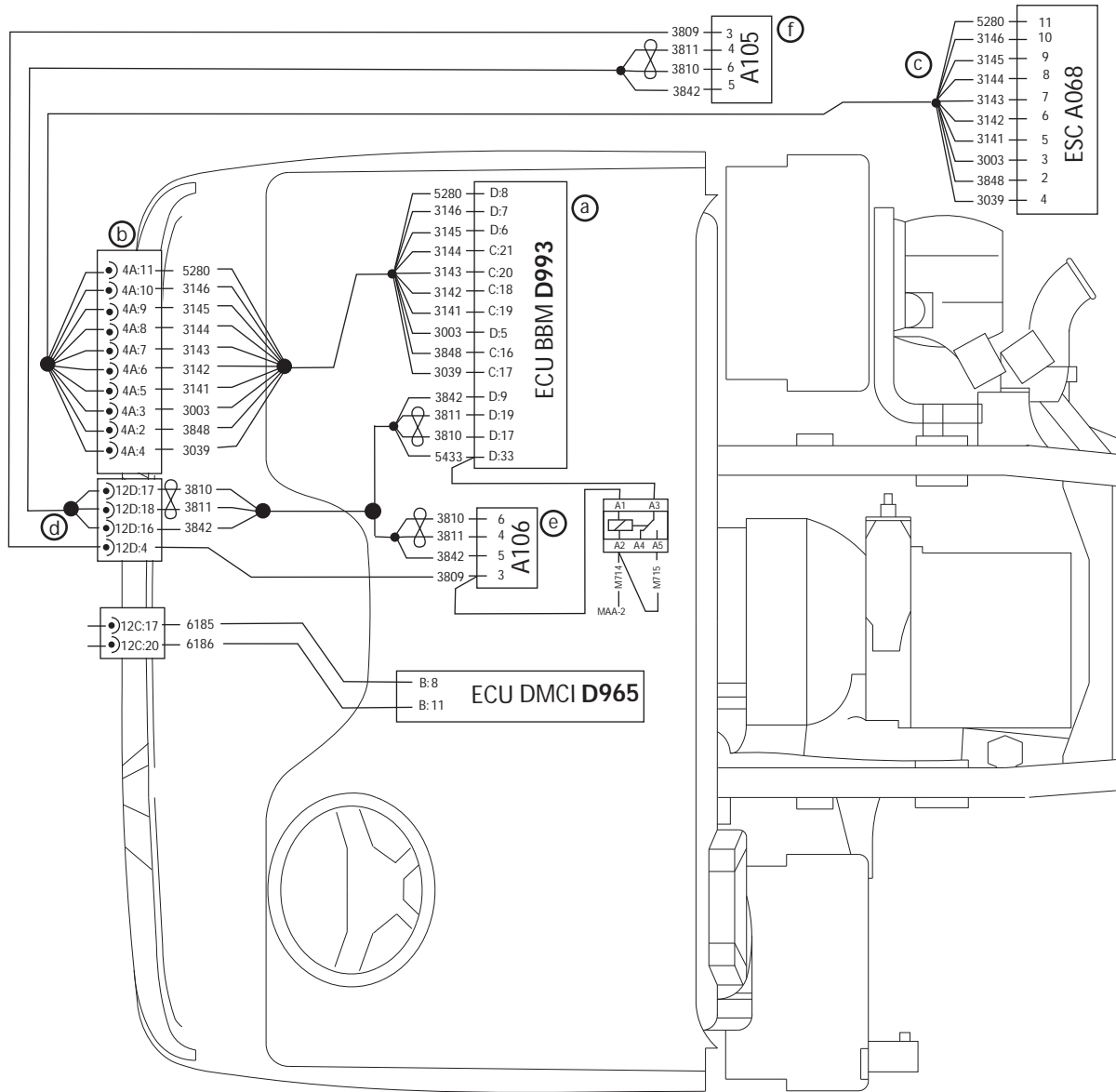
Connector 4A is always present due to standardisation. If selco 0797 is selected, the corresponding functionality is also present (correct BBM software).

For part numbers of the bulkhead connectors check chapter. 8.4: "Electric connector parts cabine (CF75-85 and XF Series)"

BODYBUILDERS' GUIDELINES

Electrical system

Applicable application connectors in cab and chassis depending on selection code:



Selco 0761: (a) + b
 Selco 0797: a + b
 Selco 9231: a + b + c
 Selco 9562: a + d + e + f

G000644

Selection code 0797: Cab Connector 4A

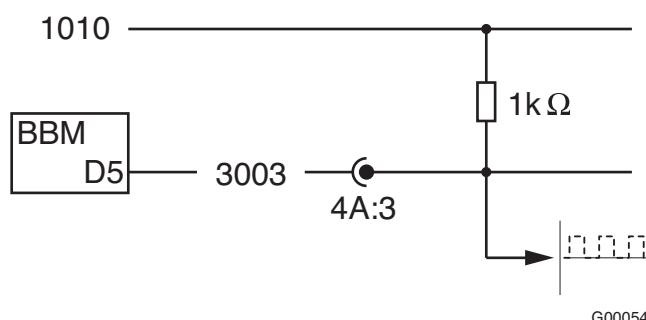
Pin	Wire	Description	Active low (1) Active high (2)	Pin on BBM (ECN code: D993)
1	M37	Ground	-	MAA-2
2	3848	Engine Stop	AH	C:16
3	3003	Engine speed output signal	AL (3)	D:5
4	3039	Vmax special application	AH	C:17
5	3141	Set + Esc	AH	C:19

Selection code 0797: Cab Connector 4A				
Pin	Wire	Description	Active low (1) Active high (2)	Pin on BBM (ECN code: D993)
6	3142	Set - Esc	AH	C:18
7	3143	ESC enable	AH	C:20
8	3144	N Variable	AH	C:21
9	3145	ESC N2	AH	D:6
10	3146	ESC N3	AH	D:7
11	5280	Engine start	AH	D:8
12	1240	Power supply after contact		AD-16C-1

(1) Active low: function is activated if pin is grounded.

(2) Active high: function is activated if pin is connected to battery plus (12 V minimum).

(3) This engine speed signal corresponds to 30 pulses per crankshaft revolution. A "Pull Up" resistor must be fitted in accordance with Figure A.



G000545

Figure A: location of "Pull Up" resistor

Selection code 9231: Chassis Connector A068				
Pin	Wire	Description	Active low (1) Active high (2)	Pin on BBM (ECN code: D993)
1	M37	Ground	-	MAA-2
2	3848	Engine Stop	AH	C:16
3	3003	Engine speed output signal	AL	D:5
4	3039	Vmax special application	AH	C:17
5	3141	Set + Esc	AH	C:19
6	3142	Set - Esc	AH	C:18
7	3143	ESC enable	AH	C:20
8	3144	N Variable	AH	C:21
9	3145	ESC N2	AH	D:6
10	3146	ESC N3	AH	D:7
11	5280	Engine start	AH	D:8
12	1240	Power supply after contact		AD-16C-1

BODYBUILDERS' GUIDELINES

Electrical system

- (1) Active low: function is activated if pin is grounded.
 (2) Active high: function is activated if pin is connected to battery plus (12 V minimum).

Selection code 9562: Chassis Connector A105				
Pin	Wire	Description	Active low (1) Active high (2)	Pin on BBM (ECN code: D993)
1	1154	KL30 (power supply before contact)	-	-
2	M982	Ground	-	-
3	3809	Enable CAN open	AL	-
4	3811	BB_CAN_High	-	D:17
5	3842	BB_CAN_ground	-	D:09
6	3810	BB_CAN_Low	-	D:19
7				

- (1) Active low: function is activated if pin is grounded.
 (2) Active high: function is activated if pin is connected to battery plus (12 V minimum).

Selection code 9562: Cab Connector 12D				
Pin	Wire	Description	Active low (1) Active high (2)	Pin on BBM (ECN code: D993)
1	M40	Ground	-	-
2	M98	Ground	-	-
3	3412	Cab lock	AL	-
4	3809	Enable CAN open	AL	-
5	3772	FMS	-	-
6	6164	Power supply to Taillift	-	-
7	6165	Relay G466, Taillift open, pin 87	-	-
8	6166	Relay G466, Taillift open, pin 87a	-	-
9	6167	taillift "Standby for Use" signal	-	-
10	6168	Relay G466, Taillift open, pin 85	-	-
11	6169	Relay G466, Taillift open, pin 86	-	-
12	A8	Spare	-	-
13	A9	Spare	-	-
14	A10	Spare	-	-
15	A11	Spare	-	-
16	3842	BB_CAN_Ground	-	D:09
17	3810	BB_CAN_Low	-	D:17
18	3811	BB_CAN_High	-	D:19
19	3157	Engine running signal	AH	A:8
20	1154	KL30 (power supply before contact)	-	-
21	1258	KL15 (power supply after contact)	-	-

- (1) Active low: function is activated if pin is grounded.
- (2) Active high: function is activated if pin is connected to battery plus (12 V minimum).

Purpose of the function

The purpose of the engine speed control system is to enable the engine speed to be adjusted between idling speed and the maximum speed. This adjustable engine speed is used, among other things, to drive auxiliary consumers via a PTO. The engine speed control can be used while driving or when idling by setting the correct customer parameters using DAVIE. The engine speed control can be enabled by the driver using the steering wheel switches, steering column switches or, if the correct selection codes have been chosen, through the superstructure equipment via the relevant application connector (A068 hardwired and A105 CAN). Enabling the engine speed control via one of the application connectors takes priority over the steering column switches.

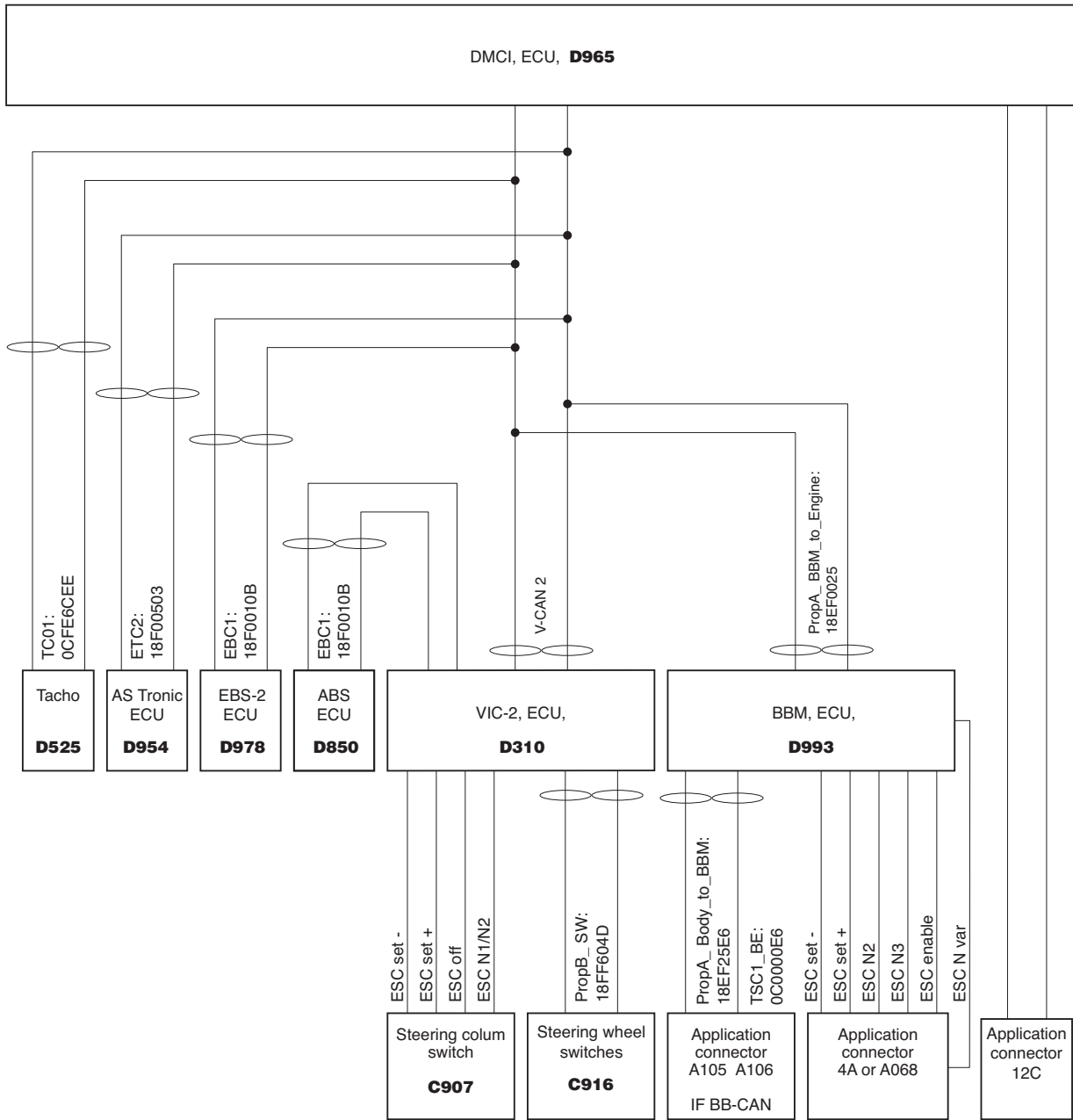
Schematic overview of ESC system control

The diagram below provides a schematic overview of the engine speed control. The two main groups for controlling the engine speed control can be identified as follows:

1. Enabling engine speed control by the driver via the VIC (Vehicle Intelligence Centre)
 - Steering wheel switches
 - Steering column switch
2. Enabling engine speed control by the body via the BBM (Body Builder Module)
 - Cab application connector
 - Chassis application connector

BODYBUILDERS' GUIDELINES

Electrical system



G000536

General ESC control system layout

CAN signal description				
CAN Message name	Message id	Used CAN Signals for ESC ⁽¹⁾	Startbit	Length
TC01	0CFE6CEE	Tachograph vehicle speed	48	16
PropB_SW	18FF604D	Cruise control resume switch	16	2
		Cruise control off switch	18	2
		Cruise control accelerate switch	20	2
		Cruise control coast switch	22	2

CAN signal description				
CAN Message name	Message id	Used CAN Signals for ESC ⁽¹⁾	Startbit	Length
CCVS	18FEF100	Parking brake switch	2	2
		Cruise control active	24	2
		Cruise control enable switch	26	2
		Brake switch	28	2
		Clutch switch	30	2
		Cruise control set switch	32	2
		Cruise control coast switch	34	2
		Cruise control resume switch	36	2
		Cruise control accelerate switch	38	2
		Cruise control set speed	40	2
		Cruise control state	53	2
EBC1	18F0010B	EBS brake switch	6	2
ETC2	18F00503	Selected gear	0	8
PropA_BBM_ to_Engine	18EF0025	Engine requested torque/torque limit	8	8
		Engine requested speed/speed conditions	16	16
		Engine override control mode	32	2
		Engine requested speed control conditions	34	2
		ESC enable	48	2
		ESC set minus	50	2
		ESC N variable	52	2
		ESC set plus	54	2
		Application speed limiter switch	56	2
		ESC N2	58	2
		ESC N3	60	2
		Engine stop	62	2
TSC1_BE	0C0000E6	Override control modes	0	2
		Requested speed control condition	2	2
		Override control mode priority	4	2
		Requested speed speed limit	8	16
		Requested torque torque limit	24	8

BODYBUILDERS' GUIDELINES

Electrical system

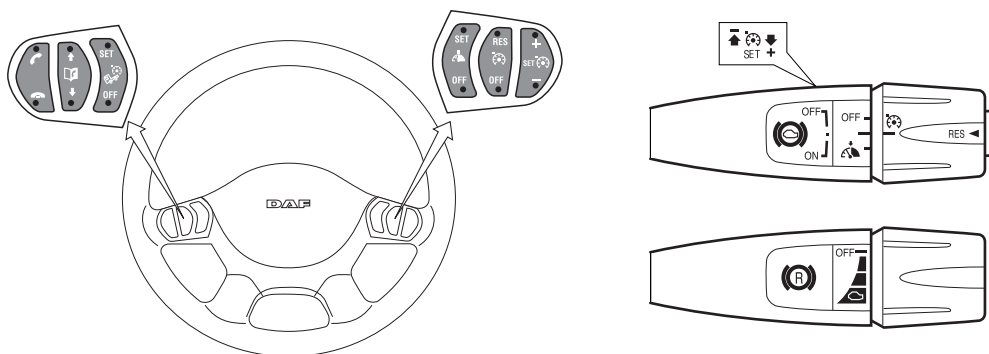
CAN signal description				
CAN Message name	Message id	Used CAN Signals for ESC ⁽¹⁾	Startbit	Length
PropA_body_to_BBM	18EF25E6	Engine requested torque/torque limit	8	8
		Engine requested speed/speed limit	16	16
		Engine override control mode	32	2
		Engine requested speed control conditions	34	2
		Engine start	42	2
		ESC enable	48	2
		ESC set minus	50	2
		ESC n variable	52	2
		ESC set plus	54	2
		Application speed limiter switch	56	2
		ESC N2	58	2
		ESC N3	60	2
		Engine stop	62	2

(1) only ESC related messages are shown.

Enabling engine speed control by the driver

As is evident from the schematic overview, the VIC can receive the engine speed control signals from the steering wheel switches (via CAN) or via the steering column switch (hardwired). The VIC translates these signals into a CAN message, which is sent to the engine control unit.

The steering column switches and the steering wheel switches have the same engine speed control operating functions, namely: "SET+", "SET-", "N1", "N2" and "OFF".



Steering wheel and stalk lever switches

G000391

Operating functions of the steering column and steering wheel switches		
Function	Standard setting	Choices in DMCI via DAVIE (CP = customer parameter)
SET + SET -	Operating "SET+/-" switches the engine speed control on and sets the current engine speed as the desired speed (constant value).	
	Brief operation ⁽¹⁾ of "SET +/-" during ESC gives a stepped increase or reduction of engine speed (default 25 rpm)	0<step<400 [rpm] CP2-20 and CP2-38
	Long operation ⁽²⁾ of "SET +/-" during engine speed control gives a continuous increase or reduction of the preset desired speed (default 200 rpm/s).	0<ramp<400 [rpm/s] CP2-18 and 2-19
	When "SET +/-" is released, the current engine speed is set as the new desired engine speed	
	The desired engine speed can be varied using "set +/-" between minimum (N_min = idling) and the maximum speed to be set.	N_idling<speed limit<N_max (rpm) via CP2-15 and CP2-14
N1	Operating "N1" activates the engine speed control and sets the engine speed to the value entered using CP2-16 (default 800 rpm). Activation using "RES" (resume) button.	To be set using CP2-16 between the values set using CP2-15 and CP2-14
N2	Operating "N2" activates the engine speed control and sets the engine speed to the value entered using CP2-17 (default 1200 rpm). Activation by operating "RES" (resume) button twice. With this "RES" button the operator can toggle between N1 and N2.	To be set using CP2-17 between the values set using CP2-15 and CP2-14
OFF	Engine speed control is switched off using the "OFF" button.	

(1) Brief operation: touch time < 0.3 s

(2) Long operation: touch time > 0.3 s

To make engine speed control possible, a number of (default) cut-in conditions must be met, namely:

- The handbrake must be engaged. (CP2-32)
- The vehicle speed must not be faster than 10 km/h. (CP2-11)
- Clutch pedal is not operated. (CP2-34)
- Brake pedal is not operated. (CP2-33)
- Engine brake foot pedal is not operated. (no CP)

In addition, there are a number of faults that can be checked, which, if active, prevent the engine speed control from being activated.

- No faults are active that relate to vehicle speed.
- No faults are active that relate to Set+/Set-plausibility
- No faults are active that relate to engine speed.

BODYBUILDERS' GUIDELINES

Electrical system

- No faults are active that relate to CAN communication.
- No faults are active that relate to clutch signal plausibility.
- No faults are active that relate to handbrake signal.
- No faults are active that relate to clutch signal.
- No faults are active that relate to a neutral gearbox signal.

If, for the body function, it is necessary to deviate from the standard options tested and released by DAF, DAF shall no longer be responsible for the operation. The implementation of non-standard body functions and the possible consequences are the responsibility of the user (generally the bodybuilder), who then bears product liability.

If the above conditions are met, the application connector can be used in various ways to activate the engine speed control, namely via:

	Hardwired or CAN	Activation	Priority ⁽¹⁾
Application connector	Hardwired	ESC enable	1
PropA_Body_to_BBM	CAN	ESC enable and Engine override control mode	2
TSC1_BE (torque/speed limitation)	CAN	ESC enable and Engine override control mode	3

(1) If a unit is active and a unit with a higher priority is activated, the unit with the highest priority will become active immediately. Only one unit of the above variations can be active, so no combination of various units is possible.

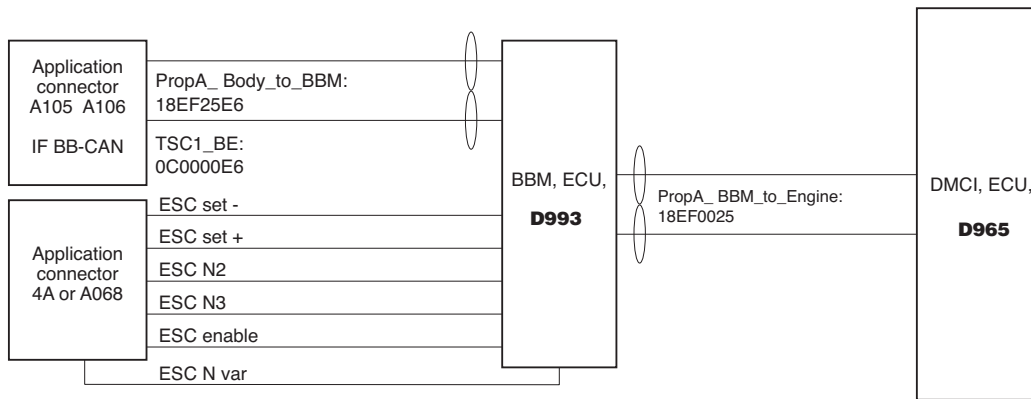
The above table indicates that hardwired activation has the highest priority followed by activation via CAN. It is important to note that the choice between the PropA_Body_to_BBM and TSC1_BE message depends on the activation of the engine speed control in the PropA_Body_to_BBM message. If the engine speed control is active via bit 1 and 2 of byte 7 from this message, the PropA_Body_to_BBM message is the determining factor. If bit 1 and 2 of byte 7 are not equal to active, then the TSC1_BE message is, providing bit 1 and 2 of byte 1 are not equal to "0". This is clarified in the table below.

Input			Output
Engine speed control activation via pin 7 application connector 4A or A068	Engine speed control activation via bit 1 and 2 of byte 7 from the PropA_Body_to_BBM message.	Engine override control mode activation via bit 1 and 2 of byte 1 from the TSC1_BE message.	
Active	No influence	No influence	Application connector
Not active	Active	No influence	PropA_Body_to_BBM

Input			Output
Not active	Not active	$\neq 00_b^{(2)}$	TSC_BE
Not active	\neq Active ⁽¹⁾	$00_b^{(2)}$	No limitation

(1) \neq Active = Inactive, Error, Not available or Time-out

(2) 00_b = 00 binaire



G000547

Schematic overview of ESC system control via the body

Hardwired activation of engine speed control

For operating the engine speed control through the body connection (see relevant selcos), the same functions, cut-in and cut-out conditions, and customer choices are offered as for the engine speed control through the steering column switch. The functions "SET+" and "SET-" are controlled using pulse and continuous signals. Via the hardwired input on the application connector, two engine speeds N2 or N3 that are to be pre-programmed and a variable engine speed (Nvar) are also to be activated. To activate these speeds the engine speed control must first be enabled by providing a high signal on pin 7 of cab connector 4A or chassis connector A068. Then N2 and N3 can be activated by providing a high signal on pins 10 and 11 respectively of this connector, and if a high signal is provided on pin 8 of the above connectors, Nvar is activated.



For safety reasons it is not permitted to activate the "enable" via a through connection at the same time as N2, N3 or Nvar. If two separate connections are not used it will not be possible to switch off the engine speed control if a short circuit occurs.

BODYBUILDERS' GUIDELINES

Electrical system

Operating functions of the application connector (4A or A068)		
Function ⁽¹⁾	Standard setting	Choice in DMCI via DAVIE (CP = customer parameter)
Enable ESC	If the engine speed control function is activated and the vehicle speed is lower than the limiting speed for engine speed control + 5 km/h, the engine speed control is enabled through the body connection. At the same time, operation via the steering column switch is blocked.	
SET + SET - Pulsing or continuous ⁽²⁾	Operating "SET+/-" switches the engine speed control on and sets the current engine speed as the desired speed (constant value).	
	Brief operation ⁽³⁾ of "SET +/-" during engine speed control gives a stepped increase or reduction of the engine speed (default 25 rpm).	0<step<400 [rpm] via CP2-20 and CP2-38
	Long operation ⁽⁴⁾ of "SET +/-" during engine speed control gives a continuous increase or reduction of the preset desired speed (default 200 rpm/s).	0<ramp<400 [rpm/s] via CP2-18 and 2-19
	When "SET+/-" is released, the current engine speed is set as the new desired engine speed	
	The desired engine speed can be varied using "SET +/-" between the minimum and the maximum speed to be set.	N_idling<speed limit<Nmax (rpm) via CP2-15 and CP2-14
N_variable	Operating "Enable N_variable" activates the engine speed control and sets the last desired engine speed set using SET+ and SET-. This value is also memorised when the ignition is switched off. Varying the desired speed is possible using SET+/- but only if the input "Enable N_variable" is activated.	
N_2	Operating "N2" activates the engine speed control and sets the engine speed to the value entered using CP2-16 (default 800 rpm).	To be set using CP2-28 between the values set using CP2-15 and CP2-14
N_3	Operating "N3" activates the engine speed control and sets the engine speed to the value entered using CP2-17 (default 1200 rpm).	To be set using CP2-29 between the values set using CP2-15 and CP2-14
V_max application ⁽⁵⁾	If the Vmax application input is activated by providing a high signal, the vehicle speed is limited to the pre-programmed value (default 30 km/h).	Adjustable using CP2-10 between a value of 0 and 30 km/h
Engine speed	Output signal, square-wave, 30 pulses per revolution; LS pulse	
Engine stop	Control signal (24 V) for starting the engine remotely.	Option must be activated using CP1-87. Value must be set between 1 and 30 km/h.
Engine start	Control signal (24 V) for switching off the engine remotely.	Option must be activated using CP1-86.

- (1) If operated simultaneously, the priority is as follows (high to low): "enable ESC", "N2", "N3", N_variable (SET-/+).
- (2) Pulse signal = a signal becomes a pulse when the rising edge reaches a value of $0.6 \times U_{bat}$. Continuous signal is "high" at a voltage level of $0.6 \times U_{bat}$ and "low" if below a level of $0.4 \times U_{bat}$.
- (3) Brief operation: touch time < 0.3 s (default).
- (4) Long operation: touch time > 0.3 s (default).
- (5) Special applications (e.g. refuse vehicles).

Activation of engine speed control via CAN message PropA_Body_to_BBM

In addition to calling up two, pre-set target speeds via the hardwired option, it is also possible, providing selection code 9562 "with application connector body builder CAN" has been chosen, to activate these target speeds via CAN. To be able to use this functionality, the body must provide CAN message PropA_Body_to_BBM with identifier 18_EF_25_E6 to pin 17 and 18 of connector 12D. The data that must be provided in this message is as follows:

Signal name	Byte	Bit	Type	Offset	Min	Max	Unit	Comments
ESC enable	7	2,1	Status	-	0	3	-	00 _b =passive 10 _b =error 01 _b =active 11 _b =not available
ESC set min	7	4,3	Status	-	0	3	-	00 _b =passive 10 _b =error 01 _b =active 11 _b =not available
ESC N variable	7	6,5	Status	-	0	3	-	00 _b =passive 10 _b =error 01 _b =active 11 _b =not available
ESC set plus	7	8,7	Status	-	0	3	-	00 _b =passive 10 _b =error 01 _b =active 11 _b =not available
ESC N2	8	4,3	Status	-	0	3	-	00 _b =passive 10 _b =error 01 _b =active 11 _b =not available
ESC N3	8	6,5	Status	-	0	3	-	00 _b =passive 10 _b =error 01 _b =active 11 _b =not available
Engine requested Speed Control Conditions	5	4,3	Status	-	0		-	00 _b =override disabled 01 _b =Speed control 10 _b =Torque control 11 _b =Speed/Torque limit control

BODYBUILDERS' GUIDELINES

Electrical system

Signal name	Byte	Bit	Type	Offset	Min	Max	Unit	Comments
Engine Override Control mode	5	-2,1	Status	-	0	3	-	00 _b =Transient optimized for driveline disengaged and non-lockup conditions 01 _b = Stability optimized for driveline disengaged and non-lockup conditions 10 _b = Stability optimized for driveline engaged and/or in lockup condition 1 11 _b = Stability optimized for driveline engaged and/or in lockup condition 2
Engine requested Speed/ Speed limit	4,3		Value	-	0	803 1,87 5	Rpm	
Engine requested Torque/ Torque limit	2		Value	-125	-125	125	%	

7

In message PropA_Body_to_BBM the commands that are provided through the hardwired option may also be provided via CAN, as is evident from the table. In addition, contrary to earlier releases, a torque/speed limit can be forced via this message by selecting the correct CAN configuration of the message provided. This function makes it possible to select any speed between the limits defined using customer parameters (2-14 and 2-15) via the Body Builder CAN.

By way of clarification, an example of the content of the PropA_Body_to_BBM message is given below.

PropA_Body_to_BBM (18 EF 25 E6)												
Name	Source	Destination	Direction	DataLength Code	DATA: 01 00 E2 04 F0 F7 41 04							
PropA_Body_to_BBM	E6	5	X	8	Byte 1	Byte 2	Byte 3	Byte 4	Byte 5	Byte 6	Byte 7	Byte 8
					01	00	E2	04	F0	F7	41	04

Signal	Physical value	Byte/bit number	(b) = Binair (h) = Hexagonal value	Comment
Requested_Torque_Torque_limit	-125%	Byte 2	00(h) 0000 000(b)	Physical value = (CAN data x rise/scale) + offset = (0 x 1/1) + (-125) = -125%
Requested_Speed_Speed_limit	1250 rpm	Byte 4,3	04 E2(h) 0000 0100 1110 0010(b)	Physical value = (CAN data x rise/scale) + offset = (1250 x 1/1) + 0 = 1250 rpm
Requested_Speed_Control_Condition	00 _b = override disabled	Byte 5 bit 4,3	F0(h) 1111 0000(b)	(00)
Override_Control_Mode	00 _b =Transient optimized for driveline disengaged and non-lockup conditions	Byte 5 bit 2,1	F0(h) 1111 0000(b)	(00)
ESCn3	00 _b =passive	Byte 8 bit 6,5	04(h) 0000 0100(b)	(00)
ESCn2	01 _b =active	Byte 8 bit 4,3	04(h) 0000 0100(b)	(01)
ESCn_variable	00 _b =passive	Byte 7 bit 6,5	41(h) 0100 0001(b)	(00)
ESC_set_plus	01 _b =active	Byte 7 bit 8,7	41(h) 0100 0001(b)	(01)
ESC_set_minus	00 _b =passive	Byte 7 bit 4,3	41(h) 0100 0001(b)	(00)
ESC_enable	01 _b =active	Byte 7 bit 2,1	41(h) 0100 0001(b)	(01)
Engine_stop	00 _b =passive	Byte 8 bit 8,7	04(h) 0000 0100(b)	(00)
Engine_start	01 _b =active	Byte 6 bit 4,3	F7(h) 1111 0111(b)	(01)
Application_speed_limiter	00 _b =passive	Byte 8 bit 2,1	04(h) 0000 0100(b)	(00)

Activating engine speed control via CAN message TSC1_BE.

In addition to calling up two, pre-set target speeds via the hardwired option, it is possible, providing selection code 9562 "with application connector body builder CAN" has been chosen, to select any speed between the limits defined using client parameters (2-14 and 2-15) via the Body Builder CAN. To be able to use this function, the body must provide a Torque/Speed Control message on pin 17 and 18 of connector 12D. In this torque speed control message, any desired speed and/or torque limit can be selected by filling in the message content correctly. The signals sent by the body are translated by the BBM and are part of the PropA_BBM_to_Engine message. This

BODYBUILDERS' GUIDELINES

Electrical system

message is one of the TSC messages that the ECU engine can receive, although with a much lower priority. Identifier = 0C 00 00 E6 to be programmed and the content of the message is as follows:

Signal name	Byte	Bit	Type	Offset	Min	Max	Unit	Comments
Engine requested Speed Control Conditions	1	4,3	Status	-	0	3	-	00 _b = override disabled 01 _b = Speed control 10 _b = Torque control 11 _b = Speed/Torque limit control
Engine Override Control mode	1	2,1	Status	-	0	3	-	00 _b = Transient optimized for driveline disengaged and non-lockup conditions 01 _b = Stability optimized for driveline disengaged and non-lockup conditions 10 _b = Stability optimized for driveline engaged and/or in lockup condition 1 11 _b = Stability optimized for driveline engaged and/or in lockup condition 2
Engine requested Speed/ Speed limit	3,2	All	Value	-	0	8031,875	Rpm	
Engine requested Torque/ Torque limit	4	All	Value	-125	-125	125	%	

By way of clarification, an example of the content of the TSC1_BE (0C 00 00 E6) message is given below.

TSC1_BE (0C 00 00 E6)												
Name	Source	Destination	Direction	Data Length Code	DATA: 5A 00 E0 2E DD FF FF FF							
TSC1_BE	E6	00	RX	8	Byte 1	Byte 2	Byte 3	Byte 4	Byte 5	Byte 6	Byte 7	Byte 8
					5A	DC	05	DD	FF	FF	FF	FF

By way of clarification, an example of the content of the TSC1_BE (0C 00 00 E6) message is given below.

7

Signal	Physical value	Byte / bit number	(b) = Binair (h) = Hexagonal value	Comment
Requested_Torque_Torque_limit	96%	Byte 4	DD(h) 1101 1101(b)	Physical value = (CAN data x rise/scale) + offset = (221 x 1/1) + (-125) = 96%
Requested_Speed_Speed_limit	1500 rpm	Byte 3,2	05 DC(h) 0000 0101 1101 1100(b)	Physical value = (CAN data x rise/scale) + offset = (1500 x 1/1) + 0 = 1500 rpm
Requested_Speed_Control_Condition	10 _b = Torque control	Byte 1 bit 4,3	5A(h) 0101 1010(b)	(10)
Override_Control_Mode	10 _b = Stability optimized for driveline engaged and/or in lockup condition 1	Byte1 bit 2,1	5A(h) 0101 1010(b)	(10)

Irrespective of the way in which the engine speed control is activated (via CAN or hardwired), a torque limit can be activated during engine speed control. The various limits are set if a combination is made with wires 6185 and 6186, pin 17 and 20 respectively in bulkhead connector 12C. These limits are necessary as in many cases engine speed control is used in combination with an auxiliary consumer (PTO). This auxiliary consumer has certain limitations, which naturally must not be exceeded and the torque and speed limits are required for that purpose. By using customer parameter 2-30 the accelerator pedal can be switched off during ESC operation. When the accelerator pedal is switched on, the preset value of the engine speed control can be overruled up to the maximum allowed speed during engine speed control using customer parameter 2.31.

Coupling the PTO activation signal to wire 6185 and/or 6186 will limit the engine speed during PTO usage and a torque limitation applies when engine speed control is active and a fixed % of the original torque curve when the engine speed control is not active.

The combinations and corresponding limitations are given in the table below.

Wire 6185 Connector 12C Pin 17	Wire 6186 Connector 12C pin 20	ESC active Engine speed maximised by ESC_N_max (CP2-14) ⁽²⁾		Driving mode ⁽¹⁾ Engine speed maximised by N_max ⁽³⁾	
		PR engine	MX engine	PR engine	MX engine
0 Volt	0 Volt	No limitation		No limitation	
24 Volt	0 Volt	1000 Nm	1800 Nm	95%	

BODYBUILDERS' GUIDELINES

Electrical system

Wire 6185 Connector 12C Pin 17	Wire 6186 Connector 12C pin 20	ESC active Engine speed maximised by ESC_N_max (CP2-14) ⁽²⁾		Driving mode ⁽¹⁾ Engine speed maximised by N_max ⁽³⁾	
		PR engine	MX engine	PR engine	MX engine
0 Volt	24 Volt	750 Nm	1200 Nm	80%	
24 Volt	24 Volt	500 Nm	600 Nm	60%	

(1) The limitation in driving mode can be used irrespective of whether engine speed control is enabled or not.

(2) As absolute maximum engine torque.

(3) Percentage of original engine torque curve.

Note:

An intermediate level of torque limitation (up to 70% of maximum torque) during ESC operation can be set using customer parameter 2-37. Parameter 2-37 allows automatic torque limitation during engine speed control operation only. The limitation level is a percentage of maximum torque, and therefore engine configuration dependant. Given the above information we can provide hardwired torque limitation as well as via CAN. The hardwired limitation has the highest priority. If, in addition, the hardwired option and the automatic option are activated, the lowest value will be used as limitation value.

In addition to various cut-in conditions, the cut-out conditions must also be taken into account. These cut-out conditions are:

- The handbrake must be disengaged. (CP2-32)
- The vehicle speed is higher than limit value + offset (10+5=15 km/h). (CP2-11)
- Clutch pedal is operated. (CP2-34)
- Brake pedal is operated. (CP2-33)
- Engine brake foot pedal is operated. (no CP)

In addition, there are a number of faults that are checked and if active, the engine speed control should be switched off:

- A vehicle speed fault is active.
- A plausibility fault is active on the set+/set-switches.
- An engine speed fault is active.
- A fault that relates to the CAN communication is active.
- A plausibility fault is active that relates to the clutch signal.
- A fault is active that relates to the handbrake signal.
- A fault is active that relates to the clutch signal.
- A fault is active that relates to the neutral signal of the gearbox.

In addition to the cut-in and cut-out conditions, the system also has a number of overrule conditions. An overrule condition means that the control under which the system is operating at that point is temporarily suppressed. These overrule conditions are:

- Accelerator pedal operation. (CP 2-30)
The accelerator pedal can be used to temporarily increase the engine speed up to a maximum value preset under customer parameter 2.14 (max. ESC speed).
- Exceeding vehicle speed limit. (CP 2-11)
- ASR activation.
- Speed limiter activation.

Customer ⁽¹⁾ parameter ID	Customer parameter name	System	Value
	ENGINE SPEED CONTROL		
2-14	MAX ESC SPEED.	DMCI	Rpm
2-15	MIN ESC SPEED	DMCI	Rpm
2-18	ACCELERATION RAMP CONTINUOUS UP ESC	DMCI	Rpm/s
2-19	ACCELERATION RAMP CONTINUOUS DOWN ESC	DMCI	Rpm/s
2-20	ACCELERATE UP PER TIP	DMCI	Rpm/tip
2-38	DECELERATE DOWN PER TIP	DMCI	Rpm/tip
2-22	ACCELERATE FROM IDLE TO TARGET SPEED IN ESC	DMCI	Rpm/s
2-39	DECELERATE FROM TARGET SPEED IN ESC TO IDLE	DMCI	Rpm/s
2-27	ESC CHANGE STEERING COLUMN N VARIABLE	DMCI	Rpm
2-16	ESC CAB N1	DMCI	Rpm
2-17	ESC CAB N2	DMCI	Rpm
2-28	ESC CHANGE APPLICATION CONN. N2	DMCI	Rpm
2-29	ESC CHANGE APPLICATION CONN. N3	DMCI	Rpm

(1) For changing default parameter settings see chapter 7.52: "Guideline for the Customer Parameter Change Form"

Customer ⁽¹⁾ parameter ID	Customer parameter name	System	Value
	ENGINE SPEED CONTROL CONDITIONS		
2-30	ACCEL. PEDAL	DMCI	ACTIVE/NOT ACTIVE
2-31	MAX RPM ACCELERATOR PEDAL	DMCI	Rpm

BODYBUILDERS' GUIDELINES

Electrical system

Customer ⁽¹⁾ parameter ID	Customer parameter name	System	Value
	ENGINE SPEED CONTROL CONDITIONS		
2-32	PARK BRAKE	DMCI	ACTIVE/NOT ACTIVE
2-33	BRAKE	DMCI	ACTIVE/NOT ACTIVE
2-34	CLUTCH	DMCI	ACTIVE/NOT ACTIVE

(1) For changing default parameter settings see chapter 7.52: "Guideline for the Customer Parameter Change Form"

7.31 CF75 - 85 SERIES FMS SYSTEM

CF series FMS system

Note:

Following information is also valid for the XF series.

Applicable selection codes:

8360: without Fleet Management System

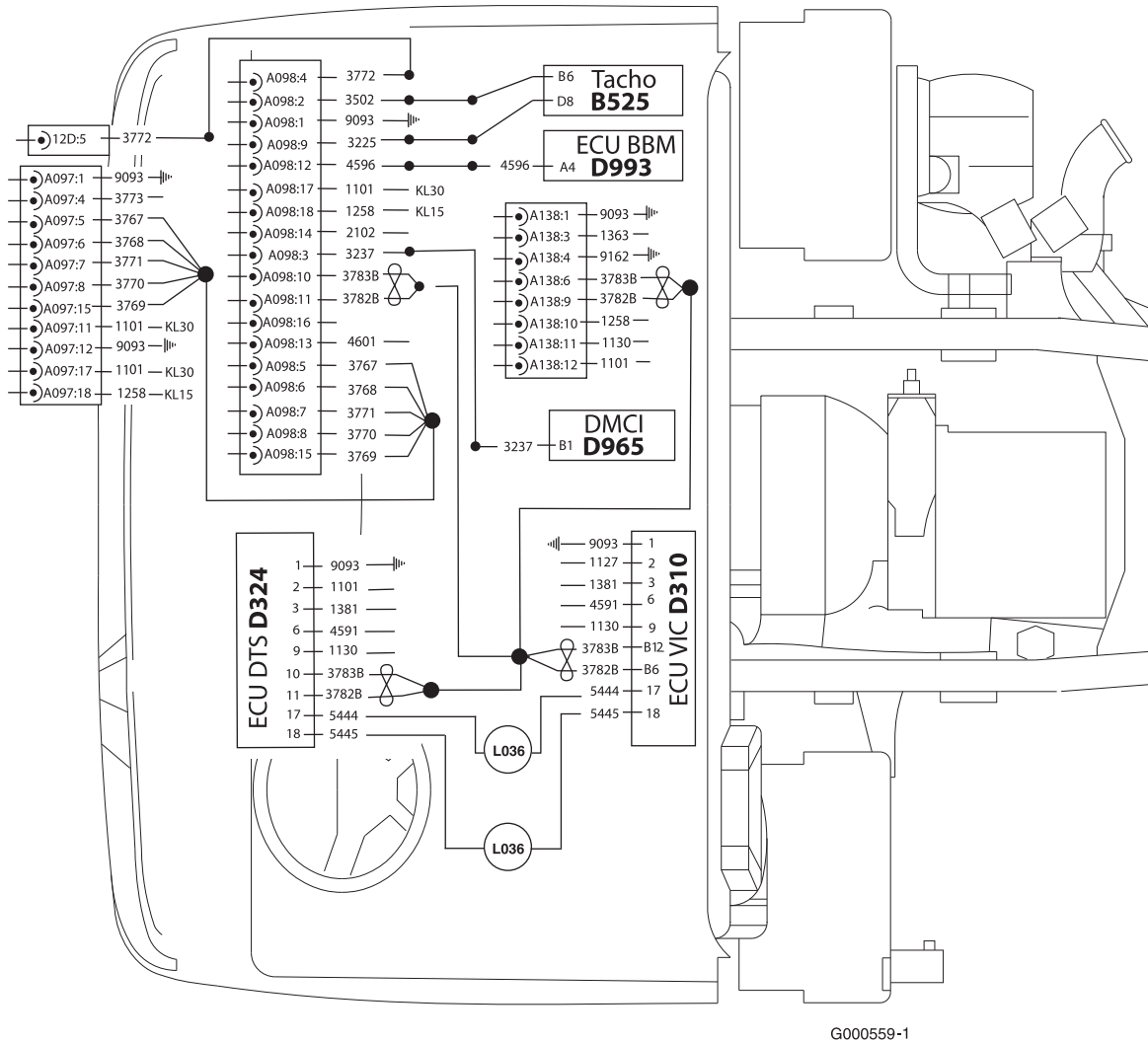
6407: with Fleet Management System

preparation

9990: with DAF Telematics System preparation

1075: with DAF Telematics System

Applicable FMS application connectors cabine:



G000559-1

**Selection code 6407: FMS prepared
(Cab Connector A098 in location D878; central box dashboard)**

Pin	Wire	Description	Pin on ECU or connector	
			Active low ⁽¹⁾ Active high ⁽²⁾	
1	9093	Ground		
2	3502	Vehicle speed		B525 B6
3	3237	Engine speed		D965 B1
4	3772	Interconnection to 12D		12D 5
5	3767	Interconnection to A097		A097 5
6	3768	Interconnection to A097		A097 6
7	3771	Interconnection to A097		A097 7
8	3770	Interconnection to A097		A097 8
9	3225	DTCO		B525 D8
10	3783B (3)	DCAN-H		D310 B12

BODYBUILDERS' GUIDELINES

Electrical system

Selection code 6407: FMS prepared (Cab Connector A098 in location D878; central box dashboard)					
Pin	Wire	Description	Active low ⁽¹⁾ Active high ⁽²⁾	Pin on ECU or connector	
11	3782B (3)	DCAN-L		D310	B6
12	4596	PTO	AH	D993	A4
13	4601	Stop Lights	AH	G036	C8
14	2102	Marker Lights	AH	E000 (10A)	
15	3769	Interconnection to A097		A097	9
16	-	-	-	-	
17	1101	KL30		E084 (10A)	
18	1258	KL15		E163 (25A)	

(1) Active low: function is activated if pin is grounded.

(2) Active high: function is activated if pin is connected to battery plus (12 V minimum).

(3) See paragraph "terminator resistor D-CAN" in case of preparation.

Selection code 6407: FMS prepared (Cab Connector A097 (in location 12A of the bulkhead connector))					
Pin	Wire	Description	Active low ⁽¹⁾ Active high ⁽²⁾	Pin on ECU or connector	
1	9093	Ground			
2					
3					
4	3773	Interconnection to A098			
5	3767	Interconnection to A098		A098	5
6	3768	Interconnection to A098		A098	6
7	3771	Interconnection to A098		A098	7
8	3770	Interconnection to A098		A098	8
9	3769	Interconnection to A098		A098	15
10					
11	1101	KL30		E084 (10A)	
12	9093	Ground			
13					
14					
15					
16					
17	1101	KL30		E084 (10A)	
18	1258	KL15		E163 (25A)	
19					
20					
21					

(1) Active low: function is activated if pin is grounded.

(2) Active high: function is activated if pin is connected to battery plus (12 V minimum).

BODYBUILDERS' GUIDELINES

Electrical system

Selection code 6407: FMS prepared (Cab Connector A138)					
Pin	Wire	Description	Active low ⁽¹⁾ Active high ⁽²⁾	Pin on ECU	
1	9093	Ground			
2					
3	1363	12V		D878	D1
4	9162	Ground			
5					
6	3783B (3)	DCAN-H		D310	B12
7					
8					
9	3782B (3)	DCAN-L		D310	B6
10	1258	KL15 CAN		E163 (25A)	
11	1130	Accessoires		C933	A6
12	1101	KL30 CAN		E084 (10A)	

(1) Active low: function is activated if pin is grounded.

(2) Active high: function is activated if pin is connected to battery plus (12 V minimum).

(3) See paragraph "terminator resistor D-CAN" in case of preparation.

Selection code 9990 DTS prepared / Selection code 1075: DTS (ECU unit D324)					
Pin	Wire	Description	Active low ⁽¹⁾ Active high ⁽²⁾	Pin on ECU	
1	9093	Ground			
2	1101	KL30 CAN		E084 (10A)	
3	1381	KL15 CAN		E351 (10A)	
4					
5					
6	4591	Reverse lights		D350	D23
7					
8					
9	1130	Accessoires		C933	A6
10	3783B (3)	DCAN-H		D310	B12
11	3782B (3)	DCAN-L		D310	B6
12					
13					
14					
15					
16					
17	5444	Loudspeaker		L036	C1
18	5445	loudspeaker		L036	D1

7

BODYBUILDERS' GUIDELINES

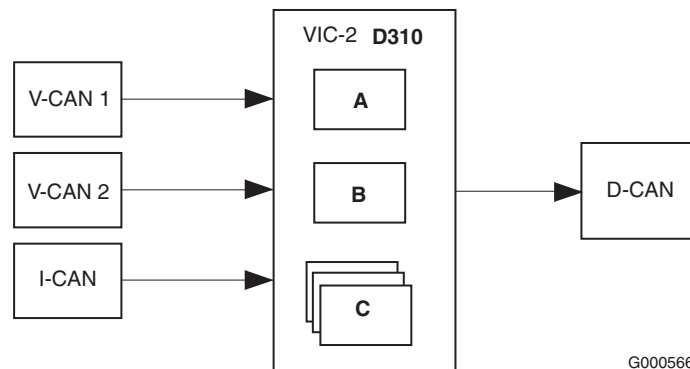
Electrical system

- (1) Active low: function is activated if pin is grounded.
- (2) Active high: function is activated if pin is connected to battery plus (12 V minimum).
- (3) See paragraph "terminator resistor D-CAN" in case of preparation.

Purpose of the function

FMS stands for **F**leet **M**anagement **S**ystem and is used to provide information about condition of the vehicle to the fleet owner for logistic purposes. The (wireless) transmission of the data from vehicle to user is performed by a third party ECU which will get the data provided by the VIC-2 via de D-CAN interface.

The main vehicle manufacturers, including DAF, have together agreed on the data to be universally provided for these FMS systems via the CAN link. Third parties are able to connect and to get the data from the truck CAN bus system. This document describes which D-CAN messages will to be supported via the FMS prepared selco 6407 or the DTS (DAF Telematics System) prepared selco 9990.



- A D-CAN gateway for FMS standard messages
- B D-CAN gateway for additional DTS messages
- C PLC functions

From week 2008-13 in total three connectors are available for connecting to the D-CAN bus were the FMS messages will be broadcasted. One of these three connectors is the standardised 12-pins FMS connector and is called A138.

A Fleet Management System needs some specific information to know which CAN-data is available and how to handle this CAN-data. This information is send in the CAN-message "FMS standard software version supported". This CAN-message is accepted by SAE J1939. Before there was no standard CAN-message and DAF would send the CAN-message "FMS standard information".

The following table describes the amount of data which will be send by DAF on the D-CAN for FMS preparation and DTS preparation.

BODYBUILDERS' GUIDELINES

Electrical system

Message	Message ID ⁽²⁾	Repetition Rate (ms)	FMS Prepared Selco 6407	DTS Prepared Selco 9990
EEC2	0C F0 03 00	50	X	X
EEC1	0C F0 04 00	20	X	X
Engine hours revolution	18 FE E5 00	On request	X	X
Vehicle Identification	18 FE EC EE	On request	X	X
High Resolution Vehicle Distance	18 FE C1 EE	1000	X	X
TC01	0C FE 6C EE	50	X	X
Engine temperature	18 FE EE 00	1000	X	X
Fuel economy	18 FE F2 00	100	X	X
Service	18 FE C0 27	1000	X	X
Vehicle weight	18 FE EA 27	1000	X	X
Dash display	18 FE FC 27	1000	X	X
FMS standard interface	1C FD D1 27	10000	X	X
CCVS	18 FE F1 00	100	X	X
Fuel consumption	18 FE E9 00	1000	X	X
DM1	18 FE CA XX	1000 ⁽¹⁾		X
TP_DT (BAM)	1C EB FF XX	-		X
TP_CM	1C EC FF XX	-		X
DM1 VIC	18 FE CA 27	1000 ⁽¹⁾		X
TP_DT (BAM)	1C EB FF XX	-		X
TP_CM	1C EC FF XX	-		X
PropB_BBM	18 FF 82 25	250		X
ERC1_XR	18 F0 00 29	100		X
ERC1_DR	18 F0 00 10	100		X
EBC1	18 F0 01 0B	100		X
Tire condition (truck)	18 FE F4 33	500		X
Tire condition (trailer)	18 FE F4 C8	500		X
EBS23	18 FE C6 C8	100		X
RGE23	18 FE 5E C8	1000		X
EBS22	18 FE C4 C8	100		X
RGE22	18 FE 5C C8	100		X
Ambient conditions	18 FE F5 00	1000		X
Inlet / exhaust conditions	18 FE F6 00	500		X
Engine fluid level pressure	18 FE EF 00	500		X
Time date	18 FE E6 EE	1000		X
PropB_EST42	18 FF 40 10	100		X
Tank information #1	18 FE 56 3D	1000		X
Driver information	18 FE 6B EE	On request		X
Combination vehicle weight	18 FE 70 0B	On request		X

BODYBUILDERS' GUIDELINES

Electrical system

Message	Message ID ⁽²⁾	Repetition Rate (ms)	FMS Prepared Selco 6407	DTS Prepared Selco 9990
ETC2	18 F0 05 03	100		X
Operator wiper and washer controls	18 FD CD 27	100		X
Operator external Light controls	18 FD CC 27	100		X
Cab illumination	18 D0 FF 27	5000		X
Vehicle hours	18 FE EC 27	1000		X

(1) Repetition rate when DM1 is active.

(2) For detailed message content see equivalent documents ("FMS CAN message overview.pdf" or "DTS CAN message overview.pdf") on the information sheet web page. (The Internet URL for the corporate DAF website is: www.daf.com -> follow the main menu item: "Products" -> Bodybuilder guidelines webpage -> Information Sheet webpage)

Terminator resistor D-CAN

FMS and DTS prepared are connected at the end of the D-CAN bus and therefore a terminator resistor is required. Vehicles with FMS prepared are ex-factory equipped with a terminator resistor in connector A098 on pin 10 and 11. Depending on the connected FMS system (with or without internally terminator resistor) one terminator resistor has to be fitted at the end of the D-CAN bus. In the table below the different situations are described.

	Terminator resistor in A098 ⁽¹⁾	Terminator resistor in A138 ⁽¹⁾
No FMS system connected	Yes	No
FMS with internal terminator resistor	No	No
FMS connected to A098 without terminator resistor	No	Yes
FMS connected to A138 without terminator resistor	Yes	No

(1) If the terminator resistor is mounted in connector A098, wire length of the FMS system connected to connector A138 is limited to 95cm. To be able to use more wire length the connected FMS system should have an internal terminator resistor and together the original terminator resistor has to be removed out of connector A098.

7.32 CF SERIES PTO CONTROL / PROTECTION

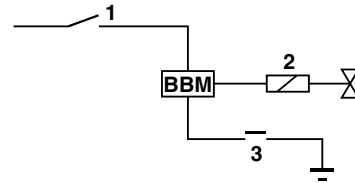
Manually operated gearboxes

CAB, REMOTE and CAN control

Upto 2 PTO are incorporated in the electrical design of the CF series. Both PTO's can be operated and monitored from in-cab position, by wire from the outside via the bulkhead lead-through for PTO (connector 4D) (see 7.26: "CF series cab connections") and via CAN control in case the PTO option and the BB-CAN option (see 7.46: "Body Builders' CAN J1939") is present.

PTO1 operation

By using the switch on position 8 (see section 7.26: "CF series cab connections"), the BBM (Body Builder Module) is activated via wire 4594. The BBM checks on the basis of the cut-in conditions whether the output (wire 4596) may be activated. These conditions must be met within a specified control time (default = 4 s). The PTO output will not be switched on, even if following the expiry of the control time, the cut-in conditions are met. To allow the PTO to be switched on, the switch must first be set to off, and then switched back on.



G000399

If activation of the PTO is permitted, wire 4596 is activated, and the BBM expects a return status message from the PTO system, within a second control time. An immediate check will also be carried out as to whether the cut-out conditions are met, or not. If the return status message (wire 3410) does not arrive on time, or if the message states that the cut-out conditions are met, the output will be switched off, and the PTO warning will appear on the DIP (display on instrument panel). The 'PTO active' indication on the DIP will not illuminate, until the return status message is concluded successfully. If this indication lights up, the PTO-1 hour counter will start to run (installed in the DIP menu). Control wire 4594 (active +24V, in parallel connected to dashboard switch) is included in the ESC application connector, which means that preparation for operating the PTO (switching it on and keeping it running) from the body is provided. For manual gearboxes remote operation of the clutch must be realized (check ordering possibilities).

3 possible settings of the PTO interlocks are possible

- operation of PTO on a stationary vehicle
- operation of PTO on a moving vehicle
- individual settings of all conditions

Cut-in conditions		
Item	Applicable as condition	Status
Brake operated	Yes/No	Operated/not operated
Parking brake operated	Yes/No	Operated/not operated
Clutch operated	Yes/No	Operated/not operated

BODYBUILDERS' GUIDELINES

Electrical system

Cut-in conditions		
Item	Applicable as condition	Status
Engine running	Yes/No	Yes/No
Vehicle speed	Yes/No	Maximum value
Engine speed	Yes/No	Maximum value
Control time 1	Always	Value

Cut-out conditions		
Item	Applicable as condition	Status
Brake operated	Yes/No	Operated/not operated
Parking brake operated	Yes/No	Operated/not operated
Clutch operated	Yes/No	Operated/not operated
Engine running	Yes/No	Yes/No
Vehicle speed	Yes/No	Maximum value
Engine speed	Yes/No	Maximum value
Control time 2	Always	Value

N10 Clutch protection (not clutch-misuse protection)

In order to switch on a torque-dependent PTO, the clutch pedal must be operated. The on/off condition laid down in the BBM responds if the pedal is depressed approx. 5 mm, which is not sufficient for the protection of the PTO and the gearbox (preventing misuse). If an N221/10 PTO is installed, the PTO operation must therefore be combined with extended clutch pedal protection; in that case, it is necessary to add the G259 relay. For additional information, contact DAF.

PTO2 operation

Operation of the "PTO2" is identical to the PTO-1 operation, with exception of :

1. PTO-2 On/Off wire is 5241 (PTO-1 wire is 4594)
2. PTO-2 E/P activation wire is 4595 (PTO-1 wire is 4596) or 5149 with a N10 or Chelsea PTO
3. PTO-2 Status return wire is 3668 (PTO-1 wire is 3410)

PTO3 operation

On the dashboard, a switch position is provided for a 3rd PTO. The wiring for the 3rd PTO operation cannot be prepared ex-factory. For the wiring, use can be made of the reserve wires in the body application connector. An additional warning lamp can be fitted on the heater panel, beside the 2nd radio recess.

PTO hour counter(s)

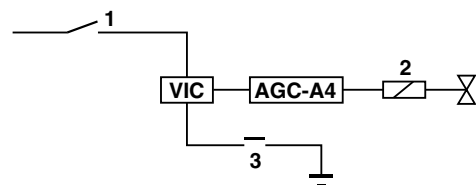
As is clear from the above, vehicles can be equipped with one or more PTO's. The function of the PTO hour counter is to record the number of additional engine operating hours during PTO operation, and if possible, to take them into account when determining the vehicle's maintenance intervals. Readout of the number of PTO hours is via the DOT matrix display using the menu control switch on the dashboard (DIP) or via DAVIE. The operating time (in hours) of a maximum of 2 PTO's can be read out via the display. If PTO1 is switched on, the operating time is automatically added to the total for PTO1. When PTO2 is switched on, the operating time is automatically added to the total for PTO2. Both PTO1 and PTO2 can be reset using DAVIE. The PTO counters will become visible after more than 1 minute operation.

A separate hour counter is available as analogue gauge. See chapter 7.45: "Gauges".

Automatic gearboxes (ALLISON)

In general the PTO operation (including the interlocks) in combination with automatic gearboxes is identical to the manual gearbox PTO operation, with the following exception;

After switching the PTO on and complying with the interlocks programmed, the E/P valve output (2) of the BBM is activated. This signal is used by the automatic gearbox control unit (AGC-A4) as a request for activating the gearbox PTO. The automatic gearbox control unit checks its internal parametring (see chapter 7.40: "Automated and automatic gearboxes") whether the PTO can be switched on.

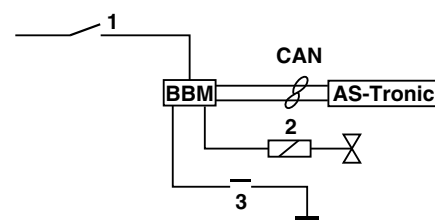


22031802-040

Automated gearboxes (AS-Tronic)

DAF introduced an automated gearbox called AS-Tronic. This is a mechanical gearbox, which is operated via an electronic control unit. This means that some of the driver's tasks are monitored or taken over.

The PTO which is fitted to this gearbox, therefore has a control/protection system that is different from that used in combination with the manually operated gearboxes.



G000400

There is a choice between two settings of the PTO interlocks:

- operation of PTO on a stationary vehicle
- operation of PTO on a moving vehicle

Operation of PTO on a stationary vehicle is always the basic setting

Cut-in conditions:

- The handbrake must be active
- The engine is running

BODYBUILDERS' GUIDELINES

Electrical system

- The gearbox must be in neutral
- The engine speed is lower than Nmax cut-in (650 rpm)
- The vehicle speed is lower than 1.5 km/h

Cut-out conditions:

- The handbrake must be de-activated
- The engine is not running
- The vehicle contact is switched off
- The vehicle speed is higher than 1.5 km/h

Gear-shift commands are not carried out during PTO operation.

Operation of PTO on a moving vehicle should be activated using the diagnostic tool (DAVIE XD)

Cut-in conditions:

- The handbrake must be active
- The engine is running
- The gearbox must be in neutral
- The engine speed is lower than Nmax cut-in (650 rpm)
- The vehicle speed is lower than 1.5 km/h

Cut-out conditions:

- The engine is not running
- The vehicle contact is switched off

Changing gear during driving is not possible. So when driving off, the gear eventually required during driving should already be engaged!

Note:

AS-Tronic software version may limit instationary PTO use, to 1st and RL gear with direct drive gearboxes and to 2nd and RH gear with overdrive gearboxes. No gearchange possible with these versions. Check the vehicle configuration on this in case instationary PTO use is required.

Depending on the situation, the PTO warning is given between 2 and 5 seconds after a defect or undesirable situation occurs.

Note:

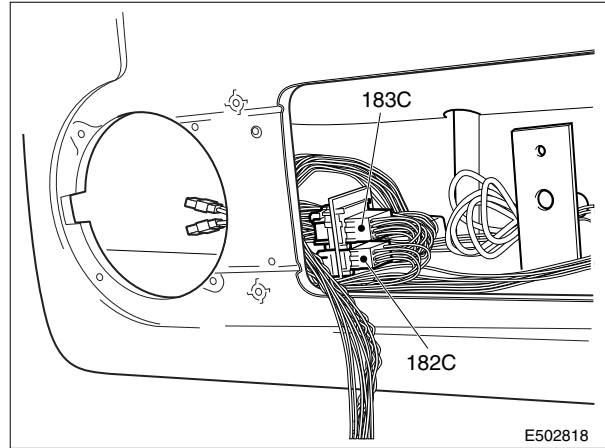
When the PTO is engaged, programmed to instationary use, and crawler gears are selected:

- **As lowest gearing, gears 1 and RL are available for Direct Drive (DD) gearboxes**
- **As lowest gearing, gears 2 and RH are available for Over Drive (OD) gearboxes**

7.33 XF SERIES ACCESSORIES CONNECTIONS

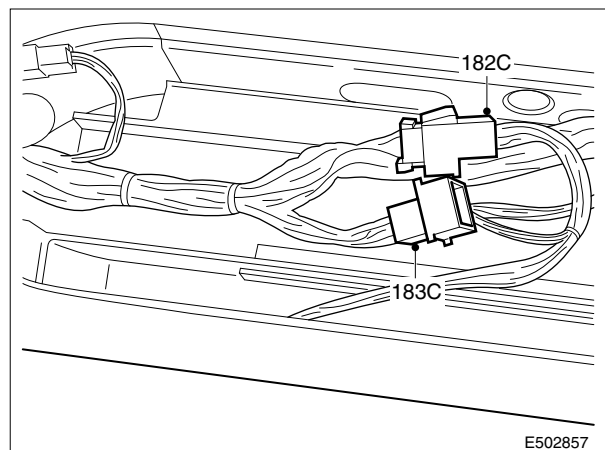
Wiring headershelf

Space Cab



Super Space Cab

There is a 9 and 12-pole connector available in the headershelf at driver side. Following signals are available:



9-pin black plug in overhead console (connector code 182C)

Pin	Wire	Description	Pin	Wire	Description
1	1107	KL30, supply spotlight	6	5445	Speaker telematics (minus)
2	1258	Power supply after contact KL15	7	5399	Telephone speaker
3	5444	Speaker telematics (plus)	8	5418	Telephone speaker
4	2630	Switch search light supply	9	M52	Earth
5	2649	Spotlight switched return	-	-	-

BODYBUILDERS' GUIDELINES

Electrical system

12-pin black plug in overhead console (connector code 183C)

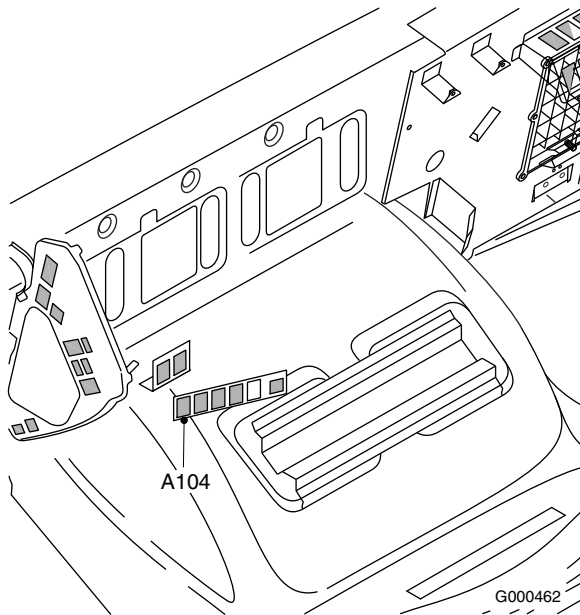
Pin	Wire	Description	Pin	Wire	Description
1	1154	Power supply before contact KL30 2.5 mm ²	7	2216	High lights / spot lights signal
2	1258	Power supply after contact KL15 2.5 mm ²	8	M70	Earth 0.75 mm ²
3	1101	Power supply before contact KL30 0.75 mm ²	9	-	-
4	2630	Search light switches	10	-	-
5	2102	Tail light, left signal	11	M668	Earth 2.5 mm ²
6	2122	Signal, main beam	12	5270	Buzzer door open / parking brake not applied

Spare wiring

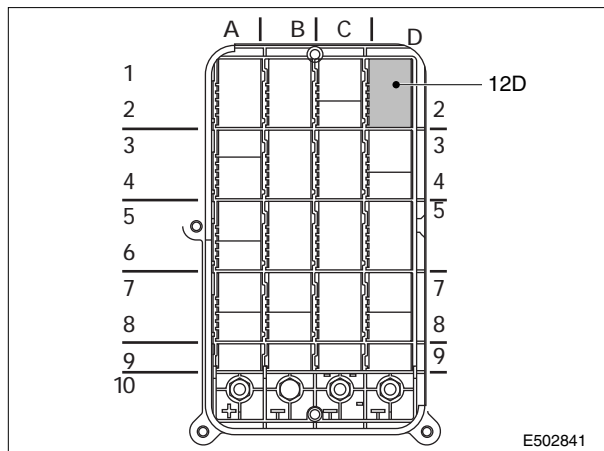
There is no spare wiring from dashboard area via the A-pillar to the headershelf.

Spare wiring from dashboard area to bulkhead lead-through

Connector A104



Connector 12D



The wiring runs from a 18-pole connector (A104) behind the radio compartment to the bulkhead lead-through 12D. The number of spare wires is 11, except when a FMS preparation is present. In this case spare wire A1 is used as wire 3772 panic button input for the FMS system. For details see 7.10: "Data communication CAN SAE J1939 / ISO 11898 (including FMS)".

18 pole connector spare wiring radio compartment (connector code A104)

Pin	Wire	Description	Pin	Wire	Description
1	A1 / 3772	Reserve radio recess (connector A104) Panic button FMS (connector A098)	10	A10	Reserve radio recess (connector A104)
2	A2	Reserve radio recess (connector A104)	11	A11	Reserve radio recess (connector A104)
3	A3	Reserve radio recess (connector A104)	12		
4	A4	Reserve radio recess (connector A104)	13		
5	A5	Reserve radio recess (connector A104)	14		
6	A6	Reserve radio recess (connector A104)	15		
7	A7	Reserve radio recess (connector A104)	16		
8	A8	Reserve radio recess (connector A104)	17		
9	A9	Reserve radio recess (connector A104)	18		

Power Supply

The power supply for all accessories should be taken from connector 12D in the bulkhead lead-through.

For details on pinning see chapter 7.34: "XF series cab connections" under paragraph "Bulkhead lead-through for body functions".

- Power supply - 24V/25A before contact, wire number 1154, and 24V/25A after contact, wire number 1258 - is available in the 6-pin green connector in the central box behind the fuse/relay board. In this connector, the signals 'engine running' (3157), 'cab locking' (3412) and 'earth' (2x) are also available.
- 24V/40A power supply, before contact, is available in the 2-pin connector in the central box behind the fuse/relay board. Wire numbers: 1175 and M.
- 24V/10A via the accessory plug on the dashboard, beside the lighter position.

Remember the total permissible power supply as stated in section 7.13: "Maximum load".

Beside this 24V connection, there are two earth connections, M8 screw version, in positions 10C and 10D, in the bulkhead lead-through.

12V/10A or 12V/20A (optional) power supply is available behind the panel of the central console for radio and telephone, and in the overhead console for CB and fax (see below).

BODYBUILDERS' GUIDELINES

Electrical system



The 24V connections on the bulkhead lead-through (10A) and on the distributor block behind the foot panel on the co-driver's side are all un-fused and must not be used for power supply unless separately fused within 10 cm from the connection.

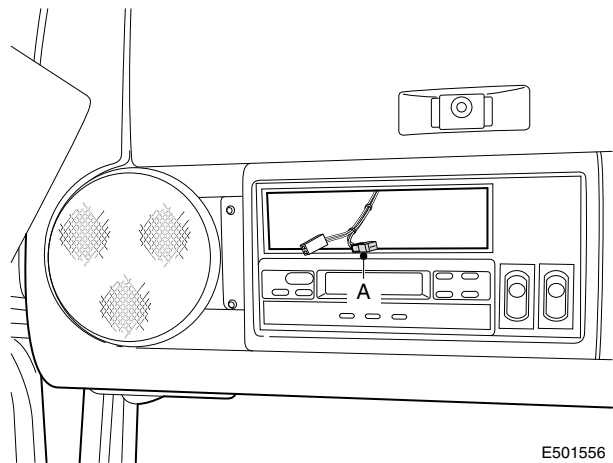
Note: a maximum of 3 ring connectors per bolt connection.

Accessories preparations

Several preparations are standard in the XF series cab.

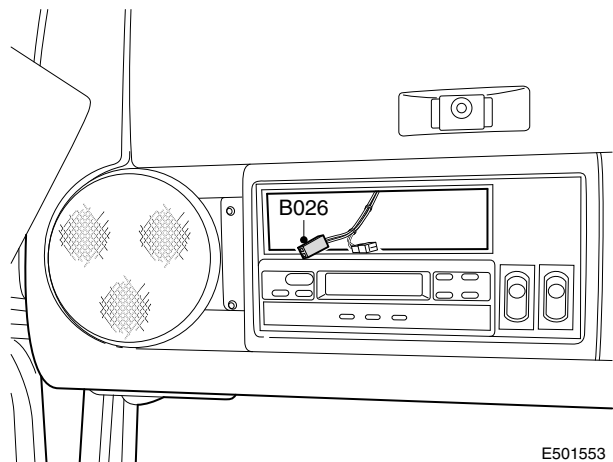
LED preparation immobiliser / Alarm

In the headershelf there is a 2-pole black connector (connector code 143C). The wire 1107 and 3482 are meant for connecting the LED of the immobiliser.



CB preparation

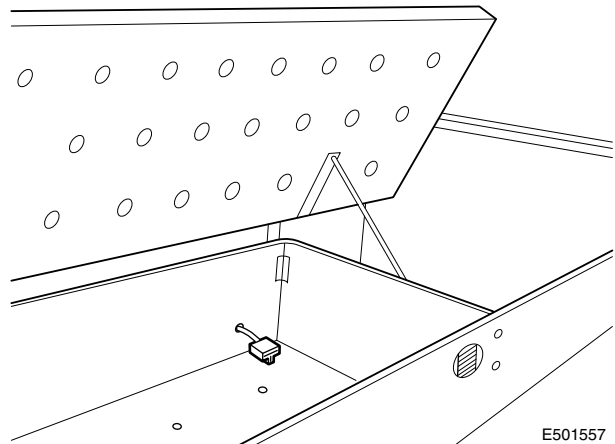
In the headershelf there is a 2-pole white connector (connector code B026) containing the wires 1108 (+12V, K130) en M515 (earth). These are meant for connecting CB or fax equipment.



Refrigerator preparation

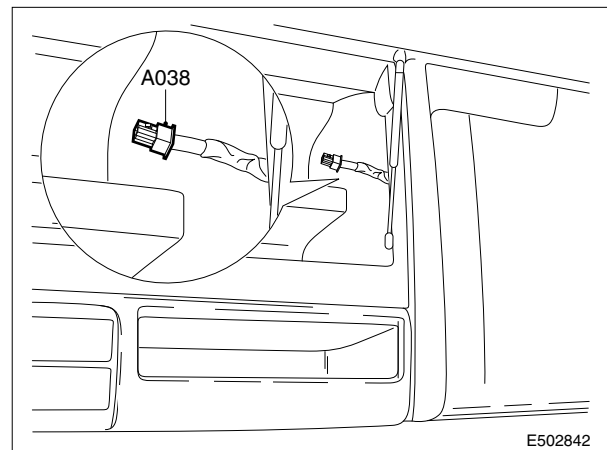
The refrigerator wiring is standard prepared and can be found in the lower bed bunk. In this connector (connector code B356) the wires 1154 (+24V, KI30) en M72 (earth) can be found.

Note: The powersupply 1154 is fuse by fuse E142 (25 A). Via this fuse also other functions are fuse among which as rotating beacons, bodybuilder application connector etc.



Microwave preparation

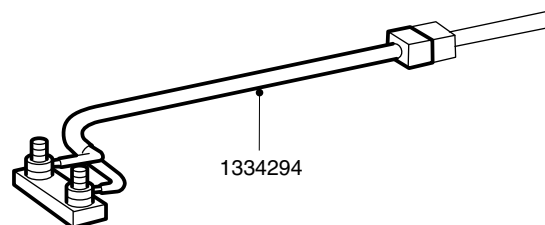
This is a 2-pole connector (connector code A038). This 2-pole connector is designed for currents up to 40 A!. The wires 1175 (KI30) and M22 (earth) are both 4,0 mm². The powersupply is taken via fuse E168 KI30 (before contact). The fuse is a MAXI FUSE, located on the top side of the fuse-relay board.



In addition a connecting block can be connected here, and so creating a central point for power supply KI30 and earth. See also chapter 7.4: "Earth connections".

Radio preparation

For the radio connection, an ISO connector (connector code B365.A) is fitted behind the radio panel, with 12V/10A power supply before contact (wire 1108), power supply after contact (wire 1363, switched via relay G377) and earth (M). Also, for the loudspeakers (connector code B365.B), the wiring to the door, A-pillar (for tweeters) and rear wall (for loudspeakers) has been prepared as standard. If tweeters are installed, a dividing filter must be fitted.



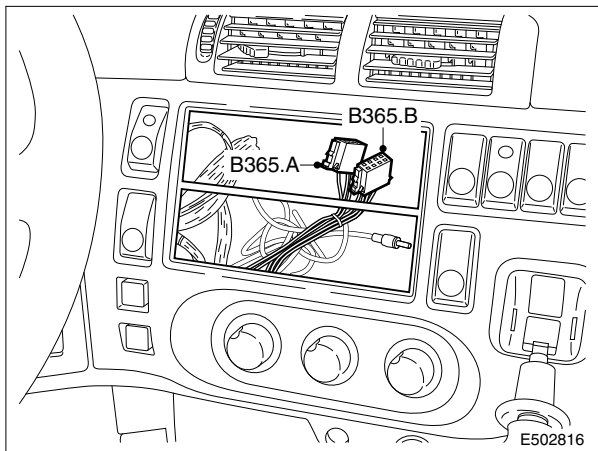
E502763

BODYBUILDERS' GUIDELINES

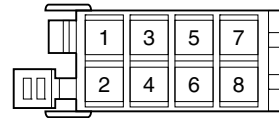
Electrical system



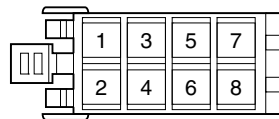
The standard version 24/12V converter is 10A. A 20A version is available. The total current consumption from the 12V supply before and after contact for telephone, fax, radio and CB together, must not exceed the specified value. Splitting of the 12V circuit using more than one converter is necessary if additional current consumption is required. Installing a heavier-duty converter is not recommended, in view of cable diameters and suppression.



B365.A GY



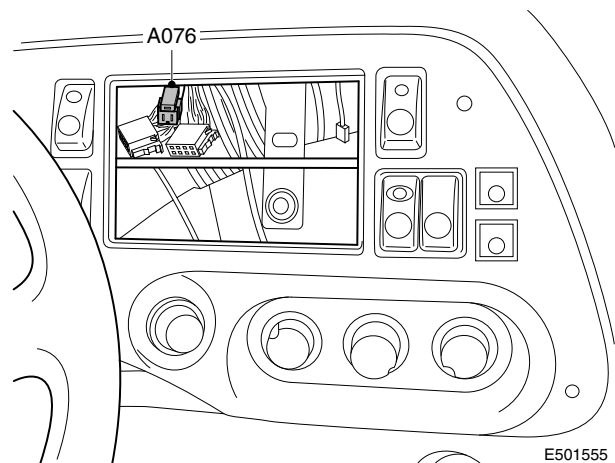
B365.B BN



- B365.A Power supply radio
- B365.B Loudspeakers radio

Telephone preparation

For a telephone connection, space has been reserved on the right-hand side of the radio panel. An AMP plug (connector code A076) is fitted as standard behind the radio panel, with 12V/10A power supply before contact (wire 1108), 12V/25 mA power supply after contact (wire 1353) and earth (M).



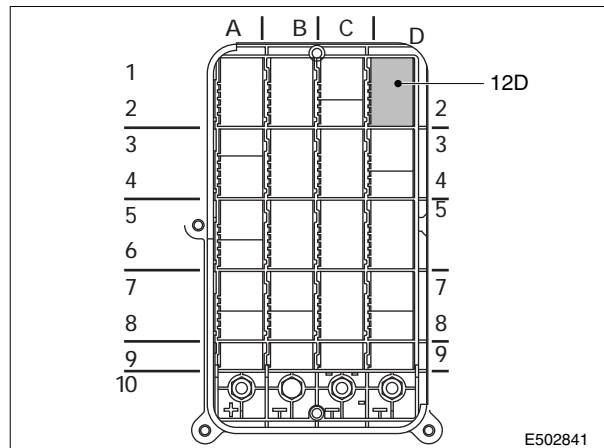
Pin	Wire	Description
1	1353	Power supply before contact KL30. (12 V/25 mA)

Pin	Wire	Description
2	1108	Power supply before contact KL30. (12 V)
3	M	Earth

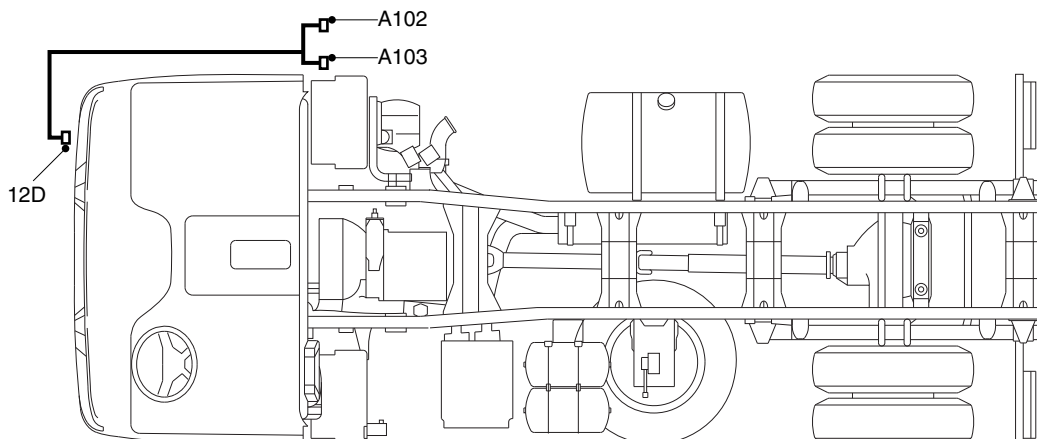
Bulkhead lead-through connections

21-pole connector bulkhead lead-through body functions:

Connector code 12D



For details on pinning see chapter 7.34: "XF series cab connections" under paragraph "Bulkhead lead-through for body functions". In addition to this an extension from connector 12D to the chassis is available as an option or via DAF Parts. The connections of the 21 pole connector 12D will be split up into an 8-pole and a 12 pole econoseal. See chapter 7.35: "XF series chassis connections" "application connector body functions" for details.



E502836

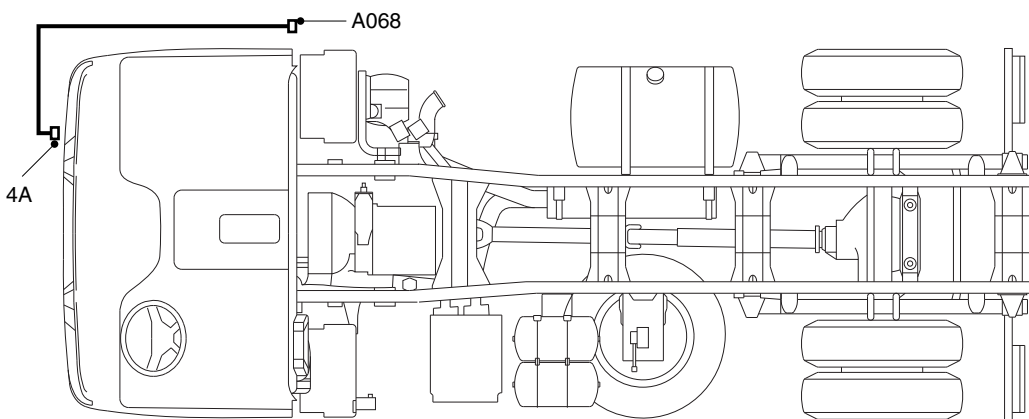
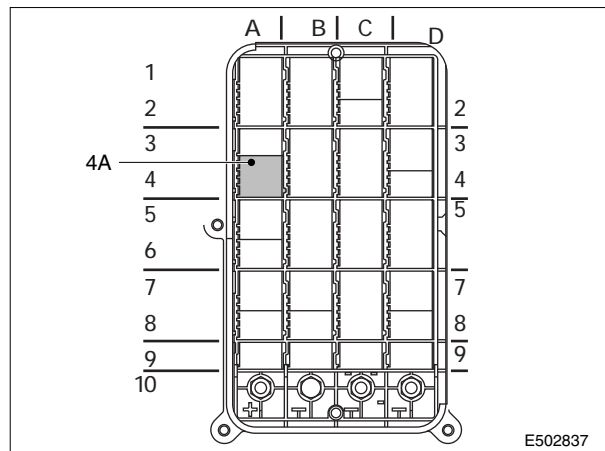
BODYBUILDERS' GUIDELINES

Electrical system

12-pole bulkhead lead-through Engine Speed Control

Connector code 56A

For details on pinning see chapter 7.34: "XF series cab connections" under paragraph "Bulkhead lead-through for engine speed control (ESC)". In addition to this an extension from connector 4A to the chassis is available as an option or via DAF Parts. The connections of the 12 pole connector 4A will end in 12 pole econoseal (A068). See chapter 7.35: "XF series chassis connections" "application connector engine speed control" for details.

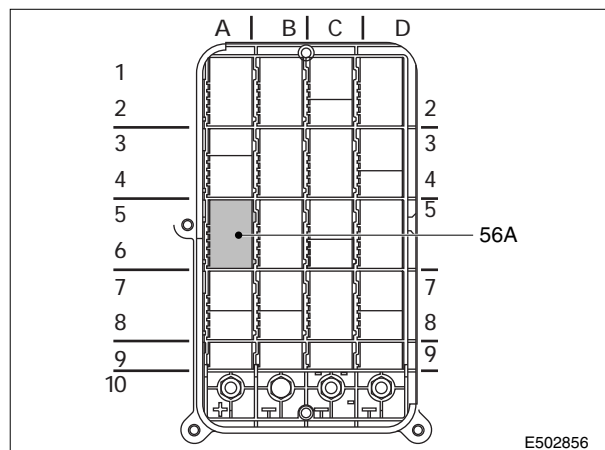


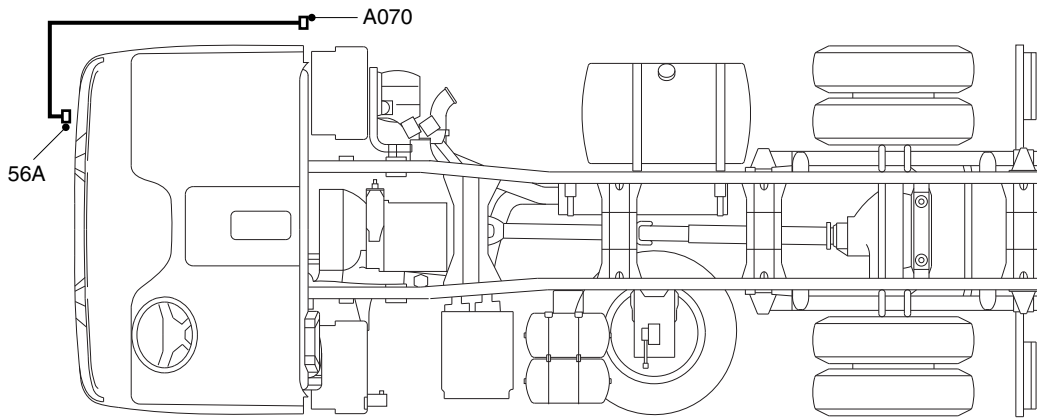
7

21-pole bulkhead lead-through for accessories

Connector code 56A

For details on pinning see chapter 7.34: "XF series cab connections" under paragraph "Bulkhead lead-through for accessories". In addition to this an extension from connector 56A to the chassis is available as an option or via DAF Parts. The connections of the 21 pole connector 56A will end in 8 pole econoseal (A070). See chapter 7.35: "XF series chassis connections" "application connector accessories" for details.

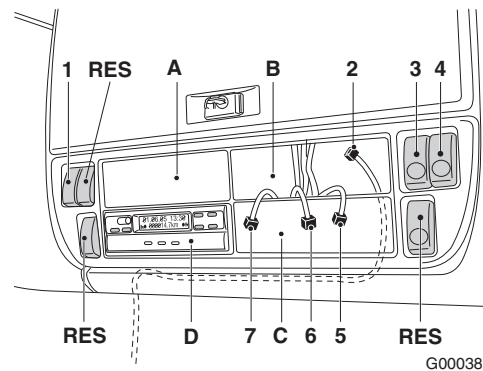




E502844

7.34 XF SERIES CAB CONNECTIONS

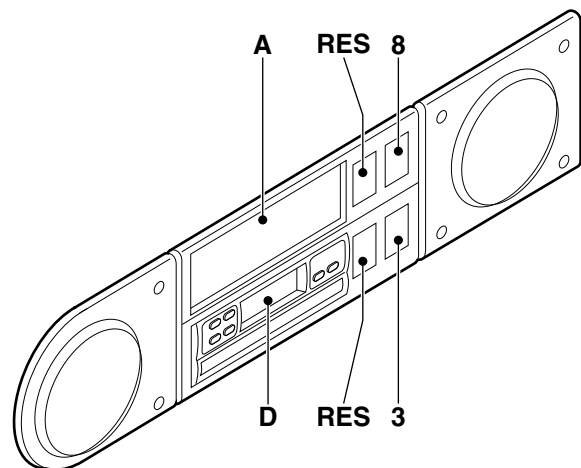
Switch positions, overhead console Super Space Cab



G000387

Switch positions, overhead console Space Cab

- 1 Worklamp roof front RES Reserve = Spare
- 2 Connector A Spare
- 3 Reading spotlight co-driverside B Spare
- 4 Red light top roof C Toll Collect
- 5 Connector D Tachograph
- 6 Connector
- 7 Connector
- 8 Rotating beacons

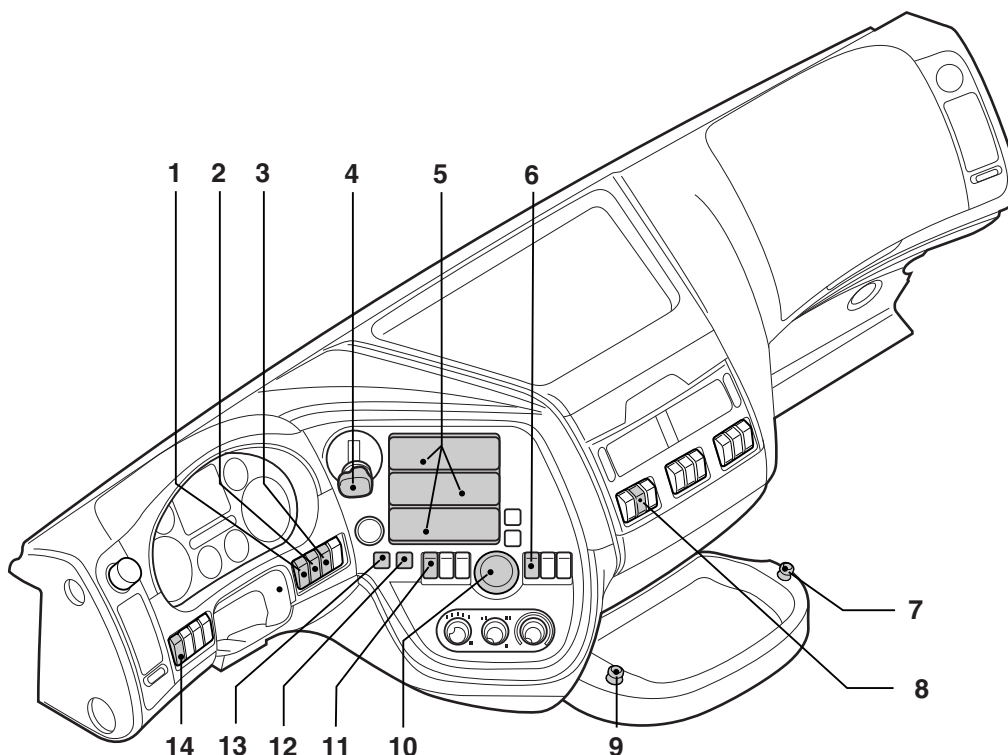


G000447

BODYBUILDERS' GUIDELINES

Electrical system

Switch position, dashboard



G000389

7

- 1 PTO-1
- 2 PTO-2
- 3 loading door alarm on/off
- 4 parking brake lever
- 5 radio recess 1,2,3 DIN slots
- 6 brake integration / Traction aid FTM / Liftaxle up FAK
- 7 accessory plug 24V/10A
- 8 main switch
- 9 cigar lighter, 24V/10A
- 10 AS-Tronic D-N-R (Drive-Neutral-Reverse) switch
- 11 spare location
- 12 spare location
- 13 switch reverse alarm outside on/off
- 14 switch worklamp cab back / taillift enable

For an overview of available switches and symbols, see section 8.8: "Switches".

Power supply

Remember the total permissible power supply as stated in section 7.13: "Maximum load".

For details see 7.33: "XF series accessories connections".

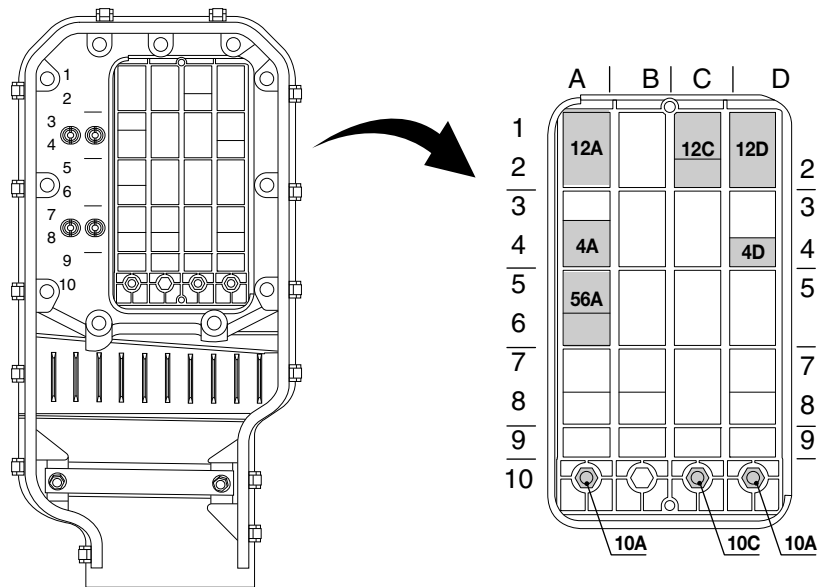
Telephone/fax preparation

For details see 7.33: "XF series accessories connections".

Radio/CB preparation

For details see 7.33: "XF series accessories connections".

Bulkhead lead-through overview



G000388

Con- nector code	Description
------------------------	-------------

12A	Fleet Management Systems (FMS)
12C	Engine torque limit
12D	Bodybuilder
4A	Engine Speed Control
4D	PTO
56A	Accessories



All signals mentioned in the tables explaining application connector pinning are active +24V (HS = High Side) and inactive open or 0V (LS = Low Side) unless stated otherwise!

Fleet Management Systems (FMS - connector 12A)

See 7.10: "Data communication CAN SAE J1939 / ISO 11898 (including FMS)"

Engine Torque limit (connector 12C)

See 7.36: "XF series ESC control"

BODYBUILDERS' GUIDELINES

Electrical system

Bulkhead lead-through for body functions (connector code 12D)

For the bodybuilding industry, a 21-pin application connector is available, as standard, in the bulkhead lead-through, so that the bodybuilder can subsequently simply take up signals, without interfering with the standard system. The following signals are available:

Pin	Wire	Description	Pin	Wire	Description
1	M40	Earth 20A	12	A8	Reserve radio recess (connector A104)
2	M98	Earth 20A	13	A9	Reserve radio recess (connector A104)
3	3412	Cab locking	14	A10	Reserve radio recess (connector A104)
4	3809	CANopen enable	15	A11	Reserve radio recess (connector A104)
5	A1 / 3772	Reserve (connector A104) / Panic button FMS (connector A098)	16	3842	CANopen Ground
6	A2	Reserve radio recess (connector A104)	17	3810	CAN-L (via BBM)
7	A3	Reserve radio recess (connector A104)	18	3811	CAN-H (via BBM)
8	A4	Reserve radio recess (connector A104)	19	3157	'Engine running' signal
9	A5	Reserve radio recess (connector A104)	20	1154	Power supply before contact 24V/20A, KL30
10	A6	Reserve radio recess (connector A104)	21	1258	Power supply after contact 24V/20A, KL15
11	A7	Reserve radio recess (connector A104)			

Note: The power supply **before** contact (KL30) is fuse via fuse E142. The power supply **after** contact is fused via fuse E163. Both the fuses are designed for 25A current. Via E142 also other equipment, like rotating beacons, refrigerator, main beam lights etc. are fused.

The CAN wiring for CAN-H / CAN-L is available in the bulkhead lead-through following assembly of the "BODY BUILDER MODULE" (BBM), which can be ordered as an accessory. CAN wiring for body functions may be up to 40 metres long, provided that a terminal resistor of 120 ohms is installed at the end. The maximum length of the stubs must not exceed 1 metre. The twisted wiring, orange/yellow, with protection, must comply with SAE standard J1939/21.

The option Body Builder CAN default provides communication only from the vehicle to the body. For applications involving the transmission of CAN messages to the vehicle, contact DAF. For special applications and specific customer requirements, DAF can supply the so-called BBM Full, which is described in section 7.44: "Body Builders' Module (Optional)" This offers the possibility of tailor-made solutions.

Bulkhead lead-through for engine speed control DAF-DMCI variant (connector code 4A)

Pin	Wire	Description	Pin	Wire	Description
1	M371	Earth	7	3143	Enable engine speed control
2	3848	Engine stop, remote (+24V signal)	8	3144	Enable N variable
3	3003	Engine speed output signal (30 pulses per revolution 0-24V)	9	3145	N2
4	3039	Vmax application	10	3146	N3
5	3141	Set -	11	5280	Remote engine start (+24V signal)
6	3142	Set +	12	1240	Power supply after contact KL15

For a functional description and possibilities, refer to section 7.36: "XF series ESC control".

Bulkhead lead-through for PTO (connector code 4D)

Connector/ Pin	Wire	Description	Connector/ Pin	Wire	Description
1	M39	Earth	7	3745	Marker lights
2	4594	Remote PTO-1 On/Off	8	-	Reserved for future function
3	3410	PTO-1 status and indication on outside panel	9	4595 / 5149	PTO-2 valve / Chelsea first PTO valve
4	4596	PTO-1 valve	10	3798	PTO Warning
5	3668	PTO-2 status and indication on outside panel	11	5241	Remote PTO-2 On/Off
6	6157 3878	PTO-3 valve CVSG gauges Databus connection	12	5462	12V supply for CVSG gauges

Bulkhead lead-through for accessories (connector code 56A)

Connector/ Pin	Wire	Description	Connector/ Pin	Wire	Description
1	9094	Earth EBS trailer	12	3813	CAN 11992/3 high TT-CAN
2	9088	CAN ground line	13	3651	12V power supply from alarm

BODYBUILDERS' GUIDELINES

Electrical system

Con- nector/ Pin	Wire	Description	Con- nector/ Pin	Wire	Description
3	2008	Direction indicator trailer left	14	3659	Alarm input (ground signal)
4	2009	Direction indicator trailer right	15	3660	Alarm input (ground signal)
5	2102	Marker light left	16	3428	EBS trailer warning
6	2103	Marker light right	17	3558	CAN 11992/2 low EBS
7	2152	Rear fog lamp	18	3559	CAN 11992/2 high EBS
8	2155	Body interior lighting / worklamp cab rear	19		
9	4591	Reversing signal	20	1390	KI15 EBS trailer
10	4601	Brake signal	21	1113	Power Supply before contact KL30
11	3812	CAN 11992/3 low TT-CAN			

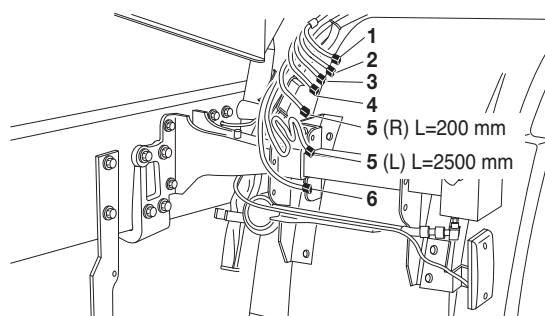
Extra wiring

See chapter 7.33: "XF series accessories connections".

7.35 XF SERIES CHASSIS CONNECTIONS

Locations of application connectors

- 1 Application connector for accessories
- 2 Application connector for engine speed control
- 3 Application connector for body function spare wires (12-pin and 8-pin)
- 4 Application connector for body function signals
- 5 Connection for side markers (2x)
- 6 Application connector BB-CAN chassis



G000541

Application connector for accessories (connector code A070)

Pin	Wire	Description	Pin	Wire	Description
1	1113	Power supply before contact KL30	5	3651	Alarm 12V power supply for in- terior detection
2	2155	Body lighting	6	3659	Alarm input (ground signal)
3	4601	Brake signal	7	3660	Alarm input (ground signal)
4	4591	Reversing signal	8	M71 / M21	Earth

Application connector for engine speed control (connector code A068)

DMCI variant

Pin	Wire	Description	Pin	Wire	Description
1	M37	Earth	7	3143	Enable engine speed control
2	3848	Engine stop, remote (+24V signal)	8	3144	Enable N variable
3	3003	Engine speed output signal	9	3145	N2
4	3039	Vmax application	10	3146	N3
5	3141	Set -	11	5280	Remote engine start (+24V)
6	3142	Set +	12	1240	Power supply after contact KL15

Application connector for body functions (connector code A104)

12-pin Econoseal

Pin	Wire	Description	Pin	Wire	Description
1	A1	Reserve radio recess	7	A7	Reserve radio recess
2	A2	Reserve radio recess	8	A8	Reserve radio recess
3	A3	Reserve radio recess	9	A9	Reserve radio recess
4	A4	Reserve radio recess	10	A10	Reserve radio recess
5	A5	Reserve radio recess	11	A11	Reserve radio recess
6	A6	Reserve radio recess	12		

8-pin Econoseal (connector code A102)

Pin	Wire	Description	Pin	Wire	Description
1	1154	Power supply before contact KL30 20A	5		
2	1258	Power supply after contact KL15 20A	6		
3	3157	'Engine running' signal	7	M40	Earth 20A
4	3412	Cab locking open signal	8	M98	Earth 20A

Side marking lights

At the position of the first side marker behind the cab, on right-hand side, there are two cables with a 2-pin connector. Both connectors contain wire numbers 2102 and 2103. Side markers and top lights can be connected from here using the cable harnesses that are mentioned in chapter 8.5: "Electric cable contour lights chassis".

BODYBUILDERS' GUIDELINES

Electrical system

Application connector BB-CAN chassis 7-pin DIN (connector code A105)

Pin	Wire	Description	Pin	Wire	Description
1	1154	Power supply before contact KL30 20A 2.5 mm ²	5	3842	CANopen ground
2	M982	Earth 2.5mm ²	6	3810	BB-CAN High via BBM
3	3809	CANopen enable	7		Spare
4	3811	BB-CAN Low via BBM			

7.36 XF SERIES ESC CONTROL

DMCI engine control functionality

The DMCI engine speed control functionality of the XF and CF85 series with MX engine is the same. Please use chapter 7.30: "CF75 - CF85 ESC system" for all information.

7.37 XF SERIES FMS SYSTEM

XF series FMS system

The FMS system functionality of the XF and CF series is the same. Please use chapter 7.31: "CF75 - 85 series FMS system" for all information.

7.38 XF SERIES PTO CONTROLS / PROTECTION

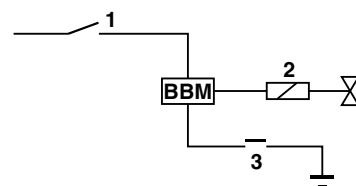
CAB, REMOTE and CAN control

Upto 2 PTO are incorporated in the electrical design of the XF series. Both PTO's can be operated and monitored from in-cab position, by wire from the outside via the bulkhead lead-through for PTO (connector 4D) (see 7.34: "XF series cab connections") and via CAN control in case the PTO option and the BB-CAN option (see 7.46: "Body Builders' CAN J1939") is present.

Manually operated gearboxes

PTO1 operation

By using the switch on position 8 (see section 7.34: "XF series cab connections"), the BBM (Body Builder Module) is activated via wire 4594. The BBM checks on the basis of the cut-in conditions whether the output (wire 4596) may be activated. These conditions must be met within a specified control time (default = 4 s). The PTO output will not be switched on, even if following the expiry of the control time, the cut-in conditions are met. To allow the PTO to be switched on, the switch must first be set to off, and then switched back on.



G000399

If activation of the PTO is permitted, wire 4596 is activated, and the BBM expects a return status message from the PTO system, within a second control time. An immediate check will also be carried out as to whether the cut-out conditions are met, or not. If the return status message (wire 3410) does not arrive on time, or if the message states that the cut-out conditions are met, the output will be switched off, and the PTO warning will appear on the DIP (display on instrument panel). The 'PTO active' indication on the DIP will not illuminate, until the return status message is concluded successfully. If this indication lights up, the PTO-1 hour counter will start to run (installed in the DIP menu). Control wire 4594 (active +24V, in parallel connected to dashboard switch) is included in the ESC application connector, which means that preparation for operating the PTO (switching it on and keeping it running) from the body is provided. For manual gearboxes remote operation of the clutch must be realized (check ordering possibilities).

3 possible settings of the PTO interlocks are possible

- operation of PTO on a stationary vehicle
- operation of PTO on a moving vehicle
- individual settings of all conditions

Cut-in conditions		
Item	Applicable as condition	Status
Brake operated	Yes/No	Operated/not operated
Parking brake operated	Yes/No	Operated/not operated
Clutch operated	Yes/No	Operated/not operated
Engine running	Yes/No	Yes/No
Vehicle speed	Yes/No	Maximum value
Engine speed	Yes/No	Maximum value
Control time 1	Always	Value

Cut-out conditions		
Item	Applicable as condition	Status
Brake operated	Yes/No	Operated/not operated
Parking brake operated	Yes/No	Operated/not operated
Clutch operated	Yes/No	Operated/not operated
Engine running	Yes/No	Yes/No
Vehicle speed	Yes/No	Maximum value
Engine speed	Yes/No	Maximum value
Control time 2	Always	Value

BODYBUILDERS' GUIDELINES

Electrical system

N10 Clutch protection (not clutch-misuse protection)

In order to switch on a torque-dependent PTO, the clutch pedal must be operated. The on/off condition laid down in the BBM responds if the pedal is depressed approx. 5 mm, which is not sufficient for the protection of the PTO and the gearbox (preventing misuse). If an N221/10 PTO is installed, the PTO operation must therefore be combined with extended clutch pedal protection; in that case, it is necessary to add the G259 relay. For additional information, contact DAF.

PTO2 operation

Operation of the "PTO2" is identical to the PTO-1 operation, with exception of :

1. PTO-2 On/Off wire is 5241 (PTO-1 wire is 4594)
2. PTO-2 E/P activation wire is 4595 (PTO-1 wire is 4596)
3. PTO-2 Status return wire is 3668 (PTO-1 wire is 3410)

PTO3 operation

On the dashboard, a switch position is provided for a 3rd PTO. The wiring for the 3rd PTO operation cannot be prepared ex-factory. For the wiring, use can be made of the reserve wires in the body application connector. An additional warning lamp can be fitted on the heater panel, beside the 2nd radio recess.

PTO hour counter(s)

As is clear from the above, vehicles can be equipped with one or more PTO's. The function of the PTO hour counter is to record the number of additional engine operating hours during PTO operation, and if possible, to take them into account when determining the vehicle's maintenance intervals. Readout of the number of PTO hours is via the DOT matrix display using the menu control switch on the dashboard (DIP) or via DAVIE. The operating time (in hours) of a maximum of 2 PTO's can be read out via the display. If PTO1 is switched on, the operating time is automatically added to the total for PTO1. When PTO2 is switched on, the operating time is automatically added to the total for PTO2. Both PTO1 and PTO2 can be reset using DAVIE. The PTO counters will become visible after more than 1 minute operation.

A separate hour counter is available as analogue gauge. See chapter 7.45: "Gauges".

Automated gearboxes (AS-TRONIC)

DAF introduced an automated gearbox called AS-Tronic. This is a mechanical gearbox, which is operated via an electronic control unit. This means that some of the driver's tasks are monitored or taken over.

The PTO which is fitted to this gearbox, therefore has a control/protection system that is different from that used in combination with the manually operated gearboxes.

There is a choice between two settings of the PTO interlocks:

- operation of PTO on a stationary vehicle
- operation of PTO on a moving vehicle

Operation of PTO on a stationary vehicle is always the basic setting.

Cut-in conditions:

- The handbrake must be active
- The engine is running
- The gearbox must be in neutral
- The engine speed is lower than Nmax cut-in (650 rpm)
- The vehicle speed is lower than 1.5 km/h

Cut-out conditions:

- The handbrake must be de-activated
- The engine is not running
- The vehicle contact is switched off
- The vehicle speed is higher than 1.5 km/h

Gear-shift commands are not carried out during PTO operation.

Operation of PTO on a moving vehicle should be activated using the diagnostic tool (DAVIE XD).

Cut-in conditions:

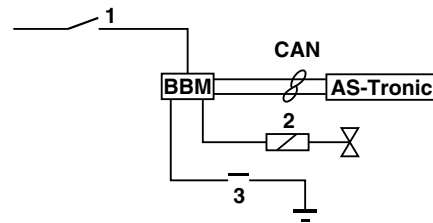
- The handbrake must be active
- The engine is running
- The gearbox must be in neutral
- The engine speed is lower than Nmax cut-in (650 rpm)
- The vehicle speed is lower than 1.5 km/h

Cut-out conditions:

- The engine is not running
- The vehicle contact is switched off

Changing gear during driving is not possible. So when driving off, the gear eventually required during driving should already be engaged!

Note:



G000400

BODYBUILDERS' GUIDELINES

Electrical system

AS-Tronic software version may limit instationary PTO use, to 1st and RL gear with direct drive gearboxes and to 2nd and RH gear with overdrive gearboxes. No gearchange possible with these versions. Check the vehicle configuration on this in case instationary PTO use is required.

Depending on the situation, the PTO warning is given between 2 and 5 seconds after a defect or undesirable situation occurs.

Note:

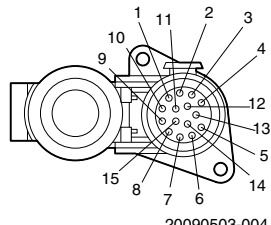
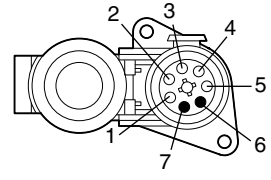
When the PTO is engaged, programmed to instationary use, and crawler gears are selected:

- **As lowest gearing, gears 1 and RL are available for Direct Drive (DD) gearboxes**
- **As lowest gearing, gears 2 and RH are available for Over Drive (OD) gearboxes**

7.39 TRAILER CONNECTION POINTS

7

	Description	Diagram (front view)
LIGHT A000	Plug socket type 24N 1x7-pin; ISO 1185 1. Earth 2. Tail light and contour lighting, left, and number plate light 3. Direction indicator, left 4. Brake lights 5. Direction indicator, right 6. Tail light and contour lighting, right. and number plate light 7. Trailer brake system control. Not to be used as earthing point (Note: not connected on LF vehicles)	<p style="text-align: center;">22032802-007</p>
ACCES- SORIES A001	Plug socket type 24S 1x7-pin; ISO 3731 1. Earth 2. Alarm system (3659) ground signal (Note: not connected on LF vehicles) 3. Reversing lights 4. 24V power supply before contact, KL30 (1113) 5. Alarm system input (3660) ground signal (Note: not connected on LF vehicles) 6. 12V power supply from alarm system (3651) 7. Rear fog lamp	<p style="text-align: center;">22032802-007</p>

	Description	Diagram (front view)
15-Pin	<p>Plug socket type 1x15-pin; ISO 12098</p> <ol style="list-style-type: none"> 1. Direction indicator, left 2. Direction indicator, right 3. Rear fog lamp 4. Earth 5. Tail light and contour lighting, left, and number plate light 6. Tail light and contour lighting, right, and number plate light 7. Brake lights 8. Reversing lights 9. Power supply before contact KL30 (1113) 10. Alarm system (3659) ground signal 11. Alarm system (3660) ground signal 12. 12V power supply from alarm system (3651) 13. Earth for 14 and 15 14. CAN high ISO 11992 non-running 15. CAN low ISO 11992 non-running 	 <p>20090503-004</p>
ABS/EBS	<p>ABS plug socket 1x 7-pin; ISO 7638</p> <ol style="list-style-type: none"> 1. Power connection 2. Control 3. Earth for control 4. Earth for power 5. Information 6. CAN 11992 EBS ONLY 7. CAN 11992 EBS ONLY 	 <p>20090503-005</p>

7.40 AUTOMATED AND AUTOMATIC GEARBOXES

LF series and CF65

The LF series and CF65 offer both automated and automatic transmissions. These gearboxes do not have an application connector as standard.

CF75 and CF85 series

Vehicles fitted with an Allison automatic gearbox, are as standard equipped with an 2-pole application connector (connector code 175C) in the central box in the cab.

There will be three executions available;

1. Refuse collector application
2. Fire brigade application
3. Standard application

REFUSE COLLECTOR APPLICATION

Software package 126.

Specific features are :

- Auto neutral-auto drive function for Stop&Go
- Shifting from forward to reverse or reverse to forward gear only enabled at vehicle speed below 3km/h and engine speed below 900 RPM.
- 6 speed setup

BODYBUILDERS' GUIDELINES

Electrical system

STANDARD APPLICATION

Software package 127.

Specific features are:

- For all application not being refuse or fire brigade
- Shifting from forward to reverse or reverse to forward gear only enabled at vehicle speed below 3km/h and engine speed below 900 RPM
- 6 speed setup

FIRE BRIGADE APPLICATION

Software package 127.

Specific features are:

- Auto neutral function
- No auto drive function
- 5 gear setup

The following functions are prepared as standard, ex-factory:

1. Automatic neutral with PTO
2. Automatic neutral when stationary and PTO
3. Foot board protection (combined with Vmax application)

AUTOMATIC NEUTRAL WITH PTO

This facility is standard on all vehicles with a PTO controlled via the Body Builder Module (BBM), and is intended for fire engines.

To prevent pumping being carried out whilst the transmission is in "DRIVE", the transmission is forced into neutral. To shift back to "Drive", the driver must first switch off the PTO, the engine speed must be below 900 rpm, and "D" must be pressed on the shift selector.

If this function is required (refuse vehicle), it has to be enabled in the BBM using DAVIE XD for programming customer parameters. The function can be enabled for PTO1 and PTO2 separately.

AUTOMATIC NEUTRAL WITH ESC

This facility is standard on all vehicles with a PTO controlled via the Body Builder Module (BBM), and is intended for fire engines.

To prevent pumping being carried out whilst the transmission is in "DRIVE", the transmission is forced into neutral. To shift back to "Drive", the driver must first switch off the PTO, the engine speed must be below 900 rpm, and "D" must be pressed on the shift selector.

If this function is required (refuse vehicle), it has to be enabled in the BBM using DAVIE XD for programming customer parameters.

AUTOMATIC NEUTRAL WITH PARKBRAKE

This facility is standard on all vehicles with a PTO controlled via the Body Builder Module (BBM).

To prevent heating up the torque converter or pumping being carried out whilst the transmission is in "DRIVE", the transmission is forced into neutral. To shift back to "Drive", the driver must first switch off the PTO, the engine speed must be below 900 rpm, and "D" must be pressed on the shift selector.

If this function is required (refuse vehicle), it has to be enabled in the BBM using DAVIE XD for programming customer parameters.

AUTOMATIC NEUTRAL POSITION WHEN STATIONARY (and operating PTO)

This option is not available ex-factory, but is prepared. If this function is required (refuse vehicle), it has to be enabled in the BBM using DAVIE XD for programming customer parameters.

Ensure that this function cannot be used in combination with the function AUTOMATIC NEUTRAL WITH PTO.

The function is intended for refuse vehicles. It provides for the selection of neutral if the PTO is operated, the brake pedal is operated and the vehicle is stationary. The transmission remains in neutral until "DRIVE" is selected.

FOOT BOARD PROTECTION

The foot board switch (EN1501) can be connected to the transmission control system. If this is done, the transmission can only be set to neutral or first gear.

This functionality is available only in combination with the option "Refuse prepared" (see chapter 7.50: "Refuse preparation CF75 - CF85 Series"). The maximum vehicle speed must be set in the engine management system (Vmax application see chapter 7.28: "CF65 series ESC system").

PTO OPERATION PARAMETERS

If the transmission is fitted with a switchable (on/off) PTO on the transmission, the PTO operation is controlled by a number of parameters, which together constitute the cut-in and cut-out conditions as used within the ALLISON control unit. Next to this the interlocks in the BBM are valid. See chapter 7.32: "CF series PTO control / protection".

BODYBUILDERS' GUIDELINES

Electrical system

Overview of cut-in and cut-out conditions for PTO's			
Parameter	Standard setting	Limit values	Notes
Maximum engine speed for PTO ⁽¹⁾ cut-in	1163 rpm	500 - 1940 rpm	PTO protection < (1400 rpm/PTO ratio)
Maximum drive shaft speed for PTO cut-in	250 rpm	60 - 5000 rpm	
Maximum engine speed during ⁽²⁾ PTO operation	4000 rpm	380 - 4000 rpm	
Maximum drive shaft speed during PTO operation	1500 rpm	60 - 5000 rpm	

(1) The PTO can only be switched on if both the engine speed and the drive shaft speed are lower than the pre-programmed parameter value.

(2) The PTO is automatically switched off if either the engine speed or the drive shaft speed exceed the pre-programmed parameter.

INCREASED ENGINE SPEED

If the engine is operating at an increased engine speed, and the vehicle is stationary, the automatic gearbox should be in neutral. This means that the activation of an increased engine speed should also be passed on to the transmission control system.

To make sure this happens we advise to activate the "Enable engine speed control" or " Enable N_variable" with wire 5149 in connector 4D (see chapter 7.26: "CF series cab connections").

Note: In fire engine application the use of this function may differ from that in other vehicle applications.

For all other applications, the selection of increased engine speed must be passed on to the transmission control system. This is for two reasons:

1. When the engine is running at increased speed, and the vehicle is stationary, the transmission must be in neutral.
2. If the vehicle is required to drive with Nvariable, N1, N2, or N3 active, it is necessary that the transmission briefly interrupts the increased engine speed when switching from neutral to "DRIVE". This is not possible at engine speeds higher than 900 rpm.

re1) ESC in neutral position

To ensure that the neutral position is selected when the ESC functions are activated,

re2) ESC during "DRIVE"

This function is possible, but can result in serious problems.

If additional braking is required, because a lower speed than creep speed is required, the interlocks of the ESC function will cause the ESC to be disabled. Re-engagement will be necessary. On the other hand, there is also a risk of overheating the transmission oil, if the engine speed is too high in relation to speed. The MAXIMUM limit applicable here is 1000 rpm for a MAXIMUM of 60 sec. If this becomes relevant, activation of the function AUTOMATIC NEUTRAL POSITION WHEN STATIONARY is always recommended.

If one of the standard settings does not agree with the desired application please consult DAF.

XF series

The XF series is only available with automated AS-Tronic gearboxes. For control, protection and settings, see section 7.38: "XF series PTO controls / protection".

7.41 ANTI-THEFT PROTECTION**LF series**

If the vehicle is fitted with the standard anti-theft protection system, the body can be connected to the vehicle system via the application connector for accessories.

See section 7.21: "LF and CF65 series chassis connections".

Wire numbers 3659 and 3660 are both inputs, connected to **ground** via a switch. If interrupted, the alarm will sound. Wire 3651 is a 12 V supply coming from the alarm system, and meant for the power supply of the interior motion detection.

CF series

If the vehicle is fitted with the standard anti-theft protection system, the body can be connected to the vehicle system via the application connector accessories.

See section 7.27: "CF75 and CF85 series chassis connections" and 7.39: "Trailer connection points".

Wire numbers 3659 and 3660 are both inputs connected to **ground** via a switch. If interrupted, the alarm will sound. Wire 3651 is a 12 V supply coming from the alarm system, and meant for the power supply of the interior motion detection.

XF series

The alarm system of the XF series is the same as that of the CF series. The only difference is the position of the interior IR and UR sensors.

BODYBUILDERS' GUIDELINES

Electrical system



For the latest details and versions, contact DAF.

7.42 ELECTRICAL RETARDERS

The installation of an electrical retarder on the gearbox or in the driveline requires a 'statement of no objection' from DAF. The installation drawing (to be submitted in duplicate) should show the following details:

- position of the retarder,
- position and angles of the driveline,
- power supply,
- freedom of movement,
- suspension of the retarder on the chassis,
- performance of the retarder,
- retarder cooling, if applicable,
- shielding of heat-sensitive components (such as pipes).



On vehicles with EBS braking system it must be investigated how the installation can be done in such manner that the service braking system is not influenced. Always contact DAF for support.

7

For the installation of non-electrical retarders, DAF should also be consulted. Software modifications will very likely be necessary. Contact DAF for support.

Note:

The software needed to achieve desired functionality may not be available yet, but is released on demand. This means that leadtime may be upto 6 weeks. Please make your enquiries in time!

7.43 CAN EXTENTION BOX (OPTIONAL)

With the advent of network structures in the **LF, CF and XF series**, and the accompanying increased complexity, the limiting conditions according to which bodybuilders and end users must comply in respect of the interfacing of their systems from and to the vehicle, have also changed.



Partly as a consequence of ever increasing reliability requirements, unmonitored working on existing vehicle systems is absolutely undesirable!

Bodybuilders have expressed a strong wish for a clearly separated vehicle/body interface, which is also highly standardised.

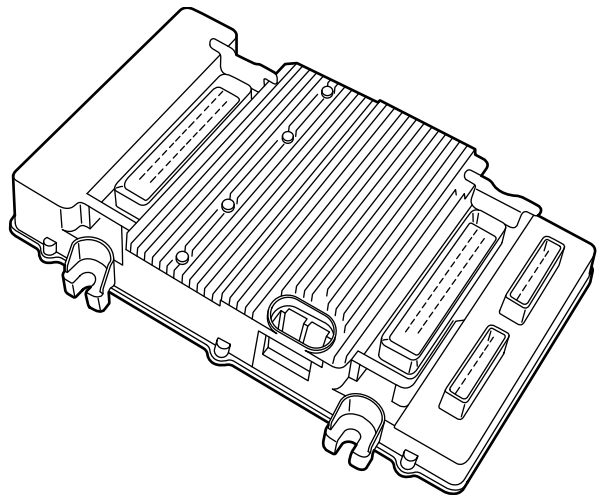
DAF responded to this demand by developing the CAN extension box (CXB).

The CXB is available via DAF Parts, but the functions which are software-based, can only be obtained in consultation with Sales Engineering. Use of the CXB is also only permitted in combination with the CAN Data Manager (CDM), which establishes a separation between the vehicle CAN-bus and the bodybuilder CAN-bus.

In due time, the CXB functionality will be covered completely by the BBM (See 7.44: "Body Builders' Module (Optional)") functionality.

Examples of (EURO3) CXB applications are;

- CANaMAX - acceleration and/or torque limiter
- FireFighter preparation for LF55 and CF65
- Refuse preparation (see 7.50: "Refuse preparation CF75 - CF85 Series")
- BodyBuilders' CAN (see 7.46: "Body Builders' CAN J1939")



E500997

7.44 BODY BUILDERS' MODULE (OPTIONAL)

With the advent of network structures in the **LF, CF and XF Euro 4/5 series**, and the accompanying increased complexity, the limiting conditions according to which bodybuilders and end users must comply in respect of the interfacing of their systems from and to the vehicle, have further changed.



Partly as a consequence of ever increasing reliability requirements, unmonitored working on existing vehicle systems is absolutely undesirable!

Bodybuilders have expressed a strong wish for a clearly separated vehicle/body interface, which is also highly standardised.

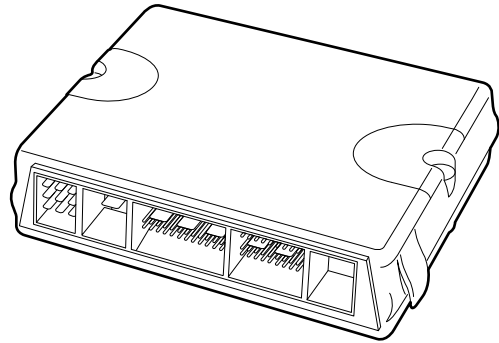
BODYBUILDERS' GUIDELINES

Electrical system

DAF responded to this demand by developing the Body Builder Module (BBM).

Using these systems, for example, the following functions can be offered:

- Icons and warnings displayed on a DOT matrix screen (dashboard).
- PTO-2 hour counter (only available via CAN).
Only one PTO counter available for the LF Series (which counts PTO1 and PTO2 hours together).
- Improved accessibility to various signals (including engine speed and vehicle speed signal).
- Various temperature signals.
- Tailor-made engine speed control functions.
- Torque and/or engine speed intervention from body.
- Full PTO control from body.
- Cable limitation between body and vehicle.
- Integration of body-PLC controls.
- Implementation of trip, PTO or engine collective meter.
- Etc, etc.



E502263

All LF vehicles with the option Application connector hydraulic lift or refuse collector are equipped with a BBM. All CF and XF vehicles with the option Engine Speed Control, or PTO, or BodyBuilder CAN are equipped with a BBM. For more information about applications please contact DAF.

7

7.45 GAUGES

The Body Builder Module (BBM) has an output called CVSG (Commercial Vehicle Slave Gauge). This is a communication bus. The CVSG bus is a single wire communication bus coming from the BBM. With this CVSG bus we can control several gauges, and by using the BBM application area (software) it is possible to translate for example signals available on the vehicle CAN link to an indication gauge on the superstructure control panel.

Dedicated gauges available

Description	Range Metric units	Range Imperial units
Primary air pressure	0 - 10 bar	0 - 150 psi
Secondary air pressure	0 - 10 bar	0 - 150 psi
Engine oil pressure	0 - 7 bar	0 - 100 psi
Engine coolant temperature	40 - 120 °C	100 - 250 °F
Engine oil temperature	40 - 150 °C	100 - 300 °F
Main trans oil temperature	65 - 150 °C	150 - 300 °F
Fuel level #1	E - 1/2 - F	E - 1/2 - F

Gauges not supported by the BBM module (ex-factory)

Description	Range Metric units	Range Imperial units
Application air pressure	0 - 10 bar	0 - 150 psi
Transfer case oil temperature	40 - 150 °C	not available
General oil temperature	40 - 150 °C	not available
PTO oil temperature	40 - 150 °C	100 - 300 °F

General gauges available

Description	Range
Engine RPM	0 - 3000 RPM
Voltmeter	18V-36V
Ampere	-150A - +150A
Hourmeter	0 - 999999 hours
Clock	Analog
Transmission display (Allison Gearbox)	

All gauges have a 52 mm diameter, chrome bezel, black scale with white printing, red pointer, white backlighting, and red indication LED. This red indication LED burns when something is wrong with concerned signal. Together with this red light an indication on the DIP shows a fault. Recommended panel cut-out is 52,5 mm.

The power supply of the gauges is +12V. Not only an additional DC/DC converter should be applied but also a time relais has to be mounted in the relais foot of the power supply cable of the CVSG gauges. See chapter 8.12: "Miscellaneous parts" for part number information.

This 12V supply and databus connection can be found in the bulkhead lead-through if the CVSG system and BBM unit are specified for the chassis. See chapters 7.20: "LF series cab connections", 7.26: "CF series cab connections" and/or 7.34: "XF series cab connections" for the wire number and pin location.

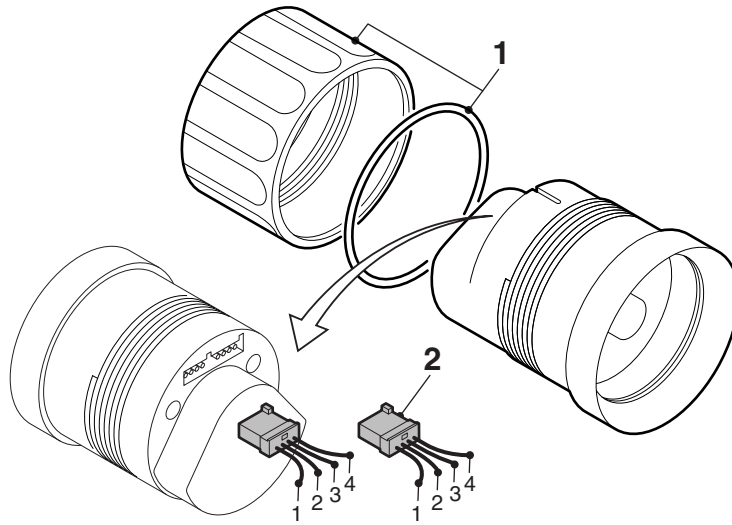
In order to get the 12V power supply available, an additional DC/DC converter has to be placed inside the cab - co drivers side.

See chapter 8.9: "CVSG Gauges" for part number information.

Every CVSG gauges has two 4 pin connectors on the back side. Pin 1 to 4 from connector 1 are bridged to pin 1 to 4 from connector 2.

BODYBUILDERS' GUIDELINES

Electrical system



G000428

Pinning

Pin	Function
1	Data link (CVSG protocol) BBM required
2	Backlighting for no BBM required gauges
3	Ground connection
4	Power supply +12 V

7

Partsnnumbers and additional items can be found in chapter 8.

7.46 BODY BUILDERS' CAN J1939

Following market developments and demands, DAF can offer an additional feature regarding CAN control to Body Builders.

For CF and XF series vehicles the connection points can be found in the bulkhead connector 12D and application connector chassis BB-CAN A105. See the chapters 7.26: "CF series cab connections", 7.27: "CF75 and CF85 series chassis connections", 7.34: "XF series cab connections", 7.35: "XF series chassis connections".

For LF series vehicles, BB_CAN is available direct from the BBM unit within the cab. See chapter 7.20: "LF series cab connections" for the connection points and wire numbers.

The BBM reads CAN data on the V-CAN2 data link and sends a selection of this to the BB-CAN data link. The BBM functionality in this mode is a gateway + filter.

Note:

For detailed message content see the "BB-CAN CAN message overview.pdf" document on the information sheet web page. (The Internet URL for the corporate DAF website is: www.daf.com -> follow the main menu item: "Products" -> Bodybuilder guidelines webpage -> Information Sheet webpage)

CAN messages from V-CAN to the BB-CAN

1. Ambient Conditions
2. Dash Display
3. EBC1
4. EEC1
5. EEC2
6. Engine Fluid level pressure
7. Engine Hours Revolutions
8. Engine Temperature
9. ETC1
10. FMS standard interface identity/capabilities
11. Fuel Consumption
12. Fuel Economy
13. High resolution vehicle distance
14. Service
15. TCO1
16. Time/date
17. Vehicle Identification

Note:

All data is according SAE J1939 and detailed information can be found in the "BB-CAN message overview.pdf" on the information sheet web page. (The Internet URL for the corporate DAF website is: www.daf.com -> follow the main menu item: "Products" -> Bodybuilder guidelines webpage -> Information Sheet webpage)

CAN data generated by BBM and sent to body

1. CCVS
2. ETC2
3. Total averaged information
4. Vehicle hours
5. Vehicle Weight

Note:

All data is according SAE J1939 and detailed information can be found in the "BB-CAN message overview.pdf" on the information sheet web page. (The Internet URL for the corporate DAF website is: www.daf.com -> follow the main menu item: "Products" -> Bodybuilder guidelines webpage -> Information Sheet webpage)

BODYBUILDERS' GUIDELINES

Electrical system

Message	Identifier	Repetition Rate	Signal	Byte	Bit
PropB_BBM	18FF8225	250ms	PTO-1 indication	1	2,1
			PTO-2 indication	1	4,3
			PTO-1 not active warning	1	8,7
			PTO-2 not active warning	2	2,1
			PTO-1 warning	2	6,5
			PTO-2 warning	2	8,7
			PTO-1 blinking	3	4,3
			PTO-2 blinking	3	6,5
Autoneutral active	3	8,7			

CAN messages received from body

Message	Identifier	Repetition Rate	Signal	Byte	Bit
PropA_Body to_BBM	18EF25E6	50ms	Engine Requested Torque/Torque	2	1
			Limit Engine Requested Speed/Speed Limit	4,3	1
			Engine Requested Speed Control Conditions	5	2,1
			Engine Override Control Mode	5	4,3
			Engine start	6	4,3
			ESC enable	7	2,1
			ESC set minus	7	4,3
			ESCn variable	7	6,5
			ESC set plus	7	8,7
			Application speed limiter	8	2,1
			ESCn2	8	4,3
			ESCn3	8	6,5
			Engine stop	8	8,7
			TSC1_BE	0C0000E5	10ms
Engine Requested Speed Control Conditions	1	4,3			
Override Control Mode Priority	1	6,5			
Engine Requested Speed/Speed Limit	2,3				
Engine Requested Torque/Torque Limit	4				

Message	Identifier	Repetition Rate	Signal	Byte	Bit	
PropB_C XB	18FF80 E6	100ms	CXB amber warning 1 state	active = 01 _b	1	2,1
			CXB amber warning 2 state	active = 01 _b	1	4,3
			CXB amber warning 3 state	active = 01 _b	1	6,5
			CXB amber warning 4 state	active = 01 _b	1	8,7
			CXB Remote PTO 1	active = 01 _b , inactive = 00 _b	3	2,1
			CXB Remote PTO 2	active = 01 _b , inactive = 00 _b	3	4,3

Message	Identifier	Repetition Rate	Signal	Byte	Bit
Request_PG N	18EAF6E6	X	PGN (LSB)	1	
			PGN	2	
			PGN (MSB)	3	

7.47 TAILLIFT PREPARATION

As an option a preparation for connecting a taillift is available for CF65/75/85 and XF. By ordering the option, Application connector taillift, the vehicle will be equipped with chassis wiring and cab electric's, including starter interrupt when taillift is open, off/standby switch and 2 indication lamps on a switch position.

Application

The connector has been defined by the VDHH. The VDHH is a group of German Taillift manufacturers, which consists of participants: AMF, Bär, Behrens, Dautel, MBB, Meiller and Sörensen. The 7-pole connector is located on the back of the chassis; for the pin position, see table below:

7.48 AXLE LOAD MONITORING (ALM)

General

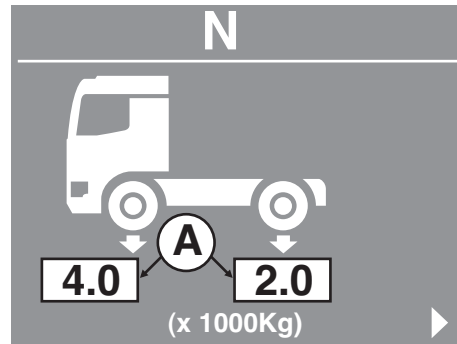
Axle Load monitoring is an option on CF75/85 and XF series (not available on the CF65 Series). This system allows you to read the actual axle loads. The system uses pressure sensors that are mounted in the air bellows and that convert the pressure into tons. The weight of the load can be determined on the basis of these axle loads. The information menu on the master display shows the actual axle load for each axle. The axle load is only shown when the ignition is turned on and the vehicle is stationary.

Axle load information

FT vehicles

In the menu, select 'axle load information' to display the axle loads. The displayed axle load (A) is the overall weight on the axle (load + own weight). The displayed axle load (A) on a vehicle with a leaf-sprung front axle is calculated by the system.

If a small arrow (B) is shown in the bottom right-hand corner of the display, the menu selection switch can be used to retrieve information on the semi-trailer.



D001150-3

Semi-trailers

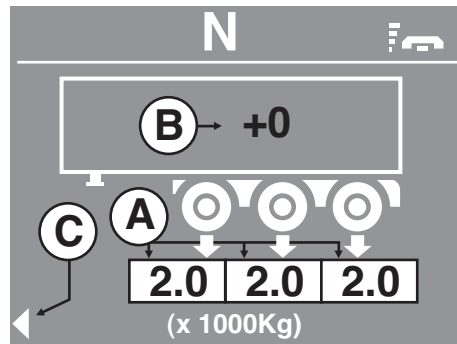
In order to display the axle loads on a semi-trailer, the following conditions have to be met: The semi-trailer must have an EBS brake system or air suspension that supports axle load monitoring.

On semi-trailers with axle load monitoring, all individual axle loads are shown.

On semi-trailers without axle load monitoring but with EBS, only the overall axle load of all axles is shown in the display.

On semi-trailers with neither EBS nor axle load monitoring only the axle load of the prime mover is shown.

If a small arrow (C) is shown in the bottom left-hand corner of the display, the menu selection switch can be used to retrieve information on the prime mover.



D001154

BODYBUILDERS' GUIDELINES

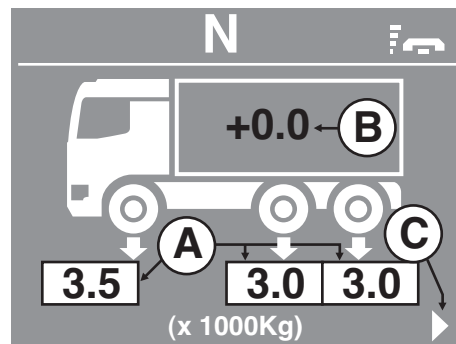
Electrical system

FA vehicles

When the 'axle load information' function is selected in the menu, a number of axle loads (A) are either or not shown, depending on the vehicle configuration. The value (B) which is displayed in the vehicle, indicates the weight of the load.

It depends on the type of the vehicle whether or not the axle load values are shown. For instance, the axle load on a leaf-sprung front axle is not shown. All the axle loads on a fully air suspended prime mover are always shown.

If a small arrow (C) is shown in the bottom right-hand corner of the display, the menu selection switch can be used to retrieve information on the semi-trailer.



D001151

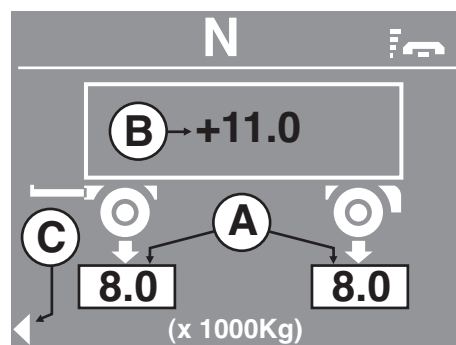
Trailer

In order to display the axle loads on a trailer, the following conditions have to be met: The trailer must have an EBS brake system or air suspension that supports axle load monitoring. On a trailer with axle load monitoring, all individual axle loads are shown.

On a trailer without axle load monitoring but with EBS, only the overall axle load of all axles is shown in the display.

On a trailer with neither EBS nor axle load monitoring only the axle load of the prime mover is shown.

If a small arrow (C) is shown in the bottom left-hand corner of the display, the menu selection switch can be used to retrieve information on the prime mover.



D001155

Reset loading weight

When the 'reset loading weight' function is selected, the actual axle load (A) will be used as a reference.

In this way it can be determined how much weight has been added or removed. Reset will put the loading weight (B) on 0.0. When the vehicle is loaded or unloaded, the indicate loading weight will increase or decrease.

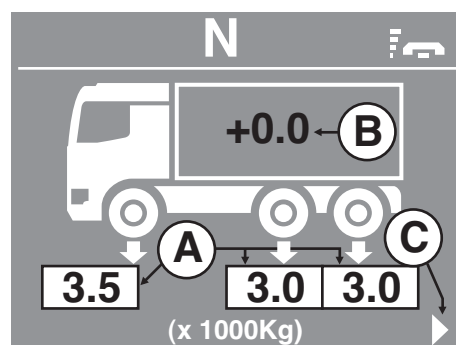
Axle overload warning

When the maximum load for an axle is exceeded, a warning will be shown on the master display. This warning can be suppressed by pressing the menu selection switch.

Each time the warning is suppressed by means of the menu selection switch, the value for the maximum load is increased by 500 kg.

It is advised to set the value for the maximum axle load somewhat below the legal maximum axle load.

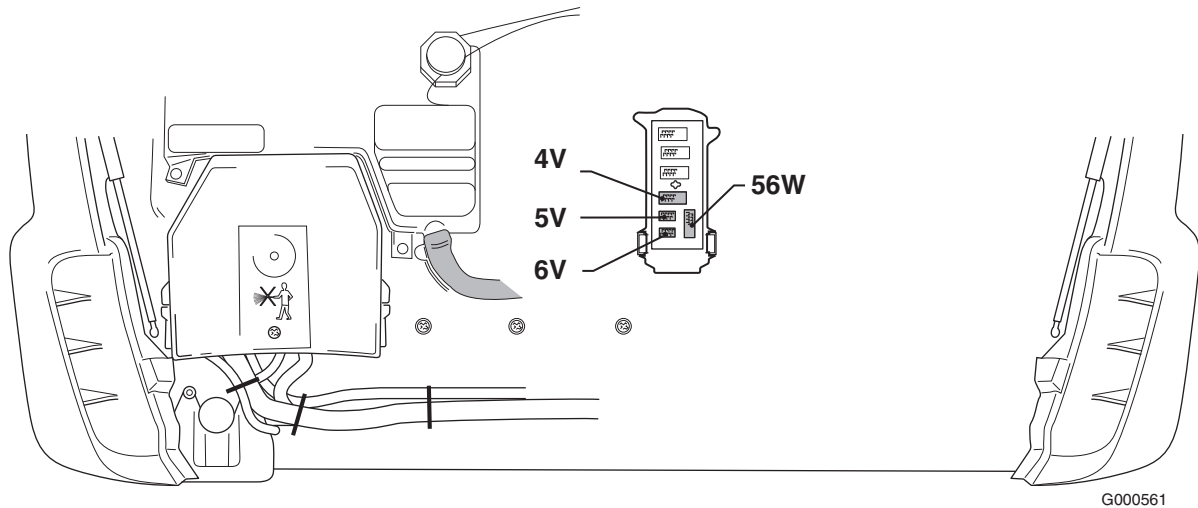
The DAF Service dealer can set the value for the maximum axle load.



D001151

7.49 REFUSE PREPARATION LF SERIES

The LF series can be specified with Selco 9240, which will offer 4 connectors in the narrow sized bulkhead lead through located in the middle of the cab front panel. Signal processing is carried out in a BBM (Body Builder Module) application.



BODYBUILDERS' GUIDELINES

Electrical system

Refuse preparation connector 4V

Connector	Pin	Wire	Description	BBM Pin INPUT / OUTPUT	Active Low ⁽¹⁾ Active High ⁽²⁾	Related CP in BBM unit
4V	1	3215	PTO ACTIVE Gives the status signal of PTO-1 from chassis	D21 OUTPUT	AH	tbd
4V	2	3211	HIGH RPM REQUEST Request signal from the superstructure to activate high RPM	D24 INPUT	AH	tbd
4V	3	3039	FOOTBOARD PROTECTION / Vmax APPLICATION SPEED When this input is high, and gearbox is switched into reverse, engine stop and park brake becomes active. When this input is high, "Vmax application" will be active when Gearbox in Drive.	C17 INPUT	AH / AL ⁽³⁾	--
4V	4	3249	DRIVE LINE ENGAGED If the output of the function gearbox state is drive line engaged.	D22	AH	
4V	5	--	--	--	--	--
4V	6	4591	REVERSE INDICATOR Active when gearbox is switched into reverse (relay G350).	C09 INPUT	AH	
4V	7	3248	REVERSE GEAR INDICATOR Active when reverse gear is engaged (relay G350)	D36	AH	
4V	8	3402	PARK BRAKE ACTIVE Active when park brake is engaged	D310 lite - C30	n/a	

(1) AL = Active Low: function is activated if pin is grounded.

(2) AH = Active High: function is activated if pin is connection to battery plus (12V minimum).

(3) Fault detection on pin C17 depending on footboard switch.

Refuse preparation connector 5V

Connector	Pin	Wire	Description	BBM Pin INPUT / OUTPUT	Active Low ⁽¹⁾ Active High ⁽²⁾	Related CP in BBM unit
5V	1	1600	KL30 10A Power supply 24V before contact - Fuse E290 Other consumers also fed via this power supply.	--	--	tbd
5V	2	1600	KL30 10A Power supply 24V before contact - Fuse E290. Other consumers also fed via this power supply.	--	--	tbd
5V	3	--	--	--	--	tbd
5V	4	5439	Park Brake Control	--	--	tbd

(1) AL = Active Low: function is activated if pin is grounded.

(2) AH = Active High: function is activated if pin is connection to battery plus (12V minimum).

Refuse preparation connector 6V

Connector	Pin	Wire	Description	BBM Pin INPUT / OUTPUT	Active Low ⁽¹⁾ Active High ⁽²⁾	Related CP in BBM unit
6V	1	M	Ground	--	--	tbd
6V	2	M	Ground	--	--	tbd
6V	3	2161	KL15 15A. Power supply 24V after contact - Fuse E156. Other consumers also fed via this power supply.	--	--	tbd
6V	4	2161	KL15 15A. Power supply 24V after contact - Fuse E156. Other consumers also fed via this power supply.	--	--	tbd

(1) AL = Active Low: function is activated if pin is grounded.

(2) AH = Active High: function is activated if pin is connection to battery plus (12V minimum).

BODYBUILDERS' GUIDELINES

Electrical system

Refuse preparation connector 56W

Connector	Pin	Wire	Description	BBM Pin INPUT / OUTPUT	Active Low ⁽¹⁾ Active High ⁽²⁾	Related CP in BBM unit
56W	1	3412	Unlatched cabin Active at open cabin lock (except at fully turned over cabin)	F009	AH	tbd
56W	2	--	--	--	--	--
56W	3	3238	ENGINE RUNNING Active when engine speed > 400 RPM. Output signal 24V.	A08	AH	--
56W	4	3215	VEHICLE SPEED >5 KM/H Active when vehicle > 5 km/h.	D31	AH	--
56W	5	3214	VEHICLE SPEED >10 KM/H Active when vehicle > 10 km/h.	D32	AH	--
56W	6	3212	ENGINE SPEED >1400 RPM Active when engine speed > 1400 RPM.	D23	AH	--
56W	7	3210	BODY ACTIVE body active signal from superstructure. 24V input.	C12	AH	--
56W	8	3213	BODY RELEASE Active if body active signal is high and all switch on conditions are met.	D34	AH	--

(1) AL = Active Low: function is activated if pin is grounded.

(2) AH = Active High: function is activated if pin is connection to battery plus (12V minimum).

7.50 REFUSE PREPARATION CF75 - CF85 SERIES

The CF series can be specified with Selco 9240, which will offer a 12 pole application connector for lighting and a 21 pole application connector for Refuse collector bodies. Signal processing is carried out in a BBM (Body Builder Module) application. Additional a modified rear overhang can be specified by selecting an AE of 740, 920 or 1000 mm. The electrical connections are positioned in the bulkhead lead through and can be made by means of the standard DAF connectors.

12 Pole lighting connector - Bulkhead position 8A

Pin	Wire	Description	INPUT / OUTPUT	Current	Inactive	Active
1	M	Ground	Output	10A	Open	24V
2	M	Ground	Output	10A	Open	24V
3	4601	brake lights	Output	5A	0V	24V
4	2102A	Marker light left	Output	5A	0V	24V
5	2103A	Marker lights right	Output	5A	0V	24V

BODYBUILDERS' GUIDELINES

Electrical system

Pin	Wire	Description	INPUT / OUTPUT	Current	Inactive	Active
6	2008	Indicator left	Output	2A	0V	24V
7	2009	Indicator right	Output	2A	0V	24V
8	-	-	-	-	-	-
9	-	-	-	-	0V	-
10	2152	Rear fog light	Output	5A	0V	24V
11	-	-	-	-	-	-
12	-	-	-	-	-	-

BODYBUILDERS' GUIDELINES

Electrical system

21 Pole Refuse preparation connector - Bulkhead position 78B

Pin	Wire	Description	BBM Pin INPUT / OUTPUT	Current	Active Low ⁽¹⁾ Active High ⁽²⁾	Related CP in BBM unit
1	3216	PTO ACTIVE Gives the status signal of PTO-1 from chassis	D21 OUTPUT	0,5A	AH	1-94
2	3211	HIGH RPM REQUEST Request signal from the superstructure to activate high RPM	D24 INPUT	5mA	AH	2-28 / 2-29 2-30 / 2-31
3	--	--	--	--	--	--
4	3039	FOOTBOARD PROTECTION / Vmax APPLICATION SPEED When this input is high, and gearbox is switched into reverse, engine stop and park brake becomes active. When this input is high, "Vmax application" will be active when Gearbox in Drive.	C17 INPUT	5mA	AH or AL ⁽³⁾	1-128 ⁽³⁾ 2-10
5	1113	KL30 15A, power supply 24V before contact for Work lights, fuse E048.	OUTPUT	15A	n/a	n/a
6	1240	KL15 15A, power supply 24Volt, fuse E091. Other consumers are also connected via this power supply.	SUPPLY	15A	n/a	n/a
7	4591	REVERSE GEAR INDICATOR Active when reverse gear is engaged (relay G350)	OUTPUT	5A	n/a	n/a
8	M571	GROUND	SUPPLY	20A	n/a	n/a
9	1154	KL30 15A, power supply Hazard beacon lights. 24V, fuse E142.	SUPPLY	15A	n/a	n/a
10	4722	CAB UNLOCKED Active at open cab lock via relay G351. (except when cab fully tilted)	OUTPUT	1,5A	n/a	n/a
11	1258	KL15 15A, supply voltage 24 V, fuse E163.	OUTPUT	15A	n/a	n/a
12	3238	ENGINE RUNNING Active when engine speed > 400 RPM. OUTPUT: 1,5A, <5V, 24V.	A08 OUTPUT	1,5A	AH	n/a
13	3215	VEHICLE SPEED >5KM/H Active when vehicle speed > 5 km/h.	D31 OUTPUT	0,5A	AH	n/a
14	3214	VEHICLE SPEED >10 KM/H Active when vehicle speed > 10 km/h.	D32 OUTPUT	0,5A	AH	n/a

BODYBUILDERS' GUIDELINES

Electrical system

Pin	Wire	Description	BBM Pin INPUT / OUTPUT	Current	Active Low ⁽¹⁾ / Active High ⁽²⁾	Related CP in BBM unit
15	3212	ENGINE SPEED >1400 RPM Active when engine speed > 1400 RPM.	D23 OUTPUT	0,5A	AH	n/a
16	M572	GROUND SUPPLY	OUTPUT	20A	AH	n/a
17	3213	BODY RELEASE Active if body active signal is high and all switch on conditions are met.	D34 OUTPUT	1,0A	AH	1-99 / 1-100 1-101 / 1-102 1-103 / 1-104
18	3249	GEARBOX DRIVE ENGAGED Active when gearbox is not in Neutral position	D22 OUTPUT	0,5A	AH	n/a
19	3402	PARKING BRAKE SIGNAL Active when Parking brake is applied.	OUTPUT	1,5A	n/a	n/a
20	3248	AUXILIARY STOP (emergency) Stop signal from the superstructure.	D36 INPUT	5mA	AH	n/a
21	3210	BODY ACTIVE Body active signal from superstructure. 24V input.	C12 INPUT	5mA	AH	1-99

(1) AL = Active Low: function is activated if pin is grounded.

(2) AH = Active High: function is activated if pin is connection to battery plus (12V minimum).

(3) CP 1-128 = fault detection on pin C17 depending on footboard switch (switch to 24V or ground).

Customer parameter list in BBM unit

Customer Parameter ID	Customer Parameter Name	Value (Recommended)
	PTO status out	
1-94	PTO input	NO PTO PTO 1 status PTO 2 status PTO 1 and 2 status

	Body Release Refuse	
1-99	Body release	DEACTIVATED
1-101	Driveline engaged	NOT ACTIVE
1-102	Maximum engine speed	Rpm
1-103	Park Brake	APPLIED / RELEASED
1-104	Maximum vehicle speed	Km/h

	Engine running	
1-105	Engine running	ENABLED

BODYBUILDERS' GUIDELINES

Electrical system

Remote engine start/stop parameters		
1-86	Engine start enable	ENABLED
1-87	Engine stop maximum speed	0 km/h

Speed switches		
1-95	RPM switch	1400 Rpm
1-96	Vehicle speed switch 1	5 km/h
1-97	Vehicle speed switch 2	10 Km/h

Stop & Go Allison		
1-127	External auto neutral request	DISABLED

CVSG (Gauges)		
1-120	Coolant temperature	DISABLED
1-121	Oil pressure	DISABLED
1-122	Oil temperature	DISABLED
1-123	Fuel level	DISABLED
1-124	Transmission oil temperature	DISABLED
1-125	Air pressure circuit 1	DISABLED
1-126	Air pressure circuit 2	DISABLED

Fault detection Vmax Application pin C17		
1-128	Fault detection pin C17	Open circuit / Short circuit ground

Customer parameter list in DMCI unit

Customer Parameter ID	Customer Parameter Name	Value (Recommended)
LIMITERS		
2-10	Vmax APPLICATION SPEED	30 Km/h
2-11	vmax ESC	30 Km/h
2-37	TORQUE REDUCTION ESC	0 %
2-12	MAX. CRUISE CONTROL SPEED	85 Km/h

ENGINE SPEED CONTROL		
2-14	MAX. ESC-SPEED	1500 Rpm
2-15	MIN. ESC-SPEED	600 Rpm
2-18	ACCELERATION RAMP CONTINUOUS UP ESC	200 Rpm/s
2-19	ACCELERATION RAMP CONTINUOUS DOWN ESC	200 Rpm/s
2-20	ACCELERATE UP PER TIP	25 Rpm/tip
2-38	DEACCELERATE DOWN PER TIP	25 Rpm/tip

ENGINE SPEED CONTROL		
2-22	ACCELERATE FROM IDLE TO TARGET SPEED IN ESC	1000 Rpm/s
2-39	DEACCELERATE FROM TARGET SPEED IN ESC TO IDLE	1000 Rpm/s
2-16	ESC CAB N1	600 Rpm
2-17	ESC CAB N2	600 Rpm
2-28	ESC CHANGE APPLICATION CONN. N2	850 Rpm
2-29	ESC CHANGE APPLICATION CONN. N3	1100 Rpm

ENGINE SPEED CONTROL CONDITIONS		
2-30	ACCEL. PEDAL	ACTIVE
2-31	MAX. RPM ACCEL. PEDAL	1500 Rpm
2-32	PARK BRAKE	NOT ACTIVE
2-33	BRAKE	NOT ACTIVE

Note:

Activating the auxiliary STOP input on pin 20, forces the body release output to be switch off. In case this function is used, the high RPM request coming from the body also has to be disabled.

Note:

On the majority of input and outputs diagnosis on short circuit to ground or +24V is carried out. In case pins of the 21pole connector are not used, it may result in an BBM warning on the dashboard display. Using pull-down resistors (1k Ω , ¼ Watt) to vehicle ground (in case of BBM reports error - short circuit to +24V) or pull-up resistors (1k Ω , ¼ Watt) to KL15 switched power supply (in case of BBM reports error - short circuit to ground) will solve the problem.

Note:

For minimum currents applicable see chapter 7.9: "EMC compatibility"

Note:

Depending on the application of the vehicle (rearloader, side loader etc.) one or more functions could have to be modified. Please prepare a clear list of desired functionality and contact the local sale engineering department so we can advise you on how to make the vehicle+superstructure working as desired.

BODYBUILDERS' GUIDELINES

Electrical system

7.51 HYDRAULIC PLATFORM CF75 SERIES

The CF series can be specified with Selco 2950, which will offer a 9 and a 21 pole application connector for Hydraulic platform bodies. Signal processing is carried out in a BBM (Body Builder Module) application. Additionally an automatic gearbox and air suspension on the rear axle is required. The electrical connections are positioned in the bulkhead lead through and can be made by means of the standard DAF connectors.

9 Pole Hydraulic Platform connector - Bulkhead position 8A

Pin	Wire	Description	BBM Pin INPUT / OUTPUT	Active Low ⁽¹⁾ / Active High ⁽²⁾	Related CP in BBM unit
1	3883	BODY NOT SECURED	D01 OUTPUT	AH	
2	3893	CLOSET OPEN direct relation to body secured	NA		
3					
4	3879	VEHICLE SPEED 1 Vehicle Speed>parameter value vehicle speed 1 level, then Vehicle Speed 1 output must be active. At set speed – 3 km/h of parameter value the output must be deactivated	D31 OUTPUT	AH	1-129
5	3880	VEHICLE SPEED 2 Vehicle Speed>parameter value vehicle speed 2 level, then Vehicle Speed 2 output must be active. At set speed – 3 km/h of parameter value the output must be deactivated	D32 OUTPUT	AH	1-130
6	3881	VEHICLE SPEED 3 Vehicle Speed>parameter value vehicle speed 3 level, then Vehicle Speed 3 output must be active. At set speed – 3 km/h of parameter value the output must be deactivated	D23 OUTPUT	AH	1-131
7	3882	VEHICLE SPEED 4 Vehicle Speed>parameter value vehicle speed 4 level, then Vehicle Speed 4 output must be active. At set speed – 3 km/h of parameter value the output must be deactivated	D34 OUTPUT	AH	1-132
8		-	-		
9		-	-		

(1) AL = Active Low: function is activated if pin is grounded

(2) AH = Active High: function is activated if pin is connected to Ubat (12V minimum)

21 Pole Hydraulic Platform preparation connector (A123) - Bulkhead position 78B

Pin	Wire	Description	BBM Pin INPUT / OUTPUT	Active Low ⁽¹⁾ Active High ⁽²⁾	Related CP in BBM unit
1	M1	GROUND SUPPLY	SUPPLY	n/a	n/a
2	3884	ENGINE RUNNING Active when engine speed > 400 RPM. OUTPUT: 1,5A, <5V, 24V.	A08 OUTPUT	AH	2-28 / 2-29 2-30 / 2-31
3	5463	SURROUND LIGHT Active if body release is active and all switch on conditions are met.	A03 OUTPUT	AH	n/a
4	3886	BODY RELEASED Active if body active signal is high and all switch on conditions are met.	D21 OUTPUT	AH	1-128 2-10
5	3887	VARIABLE ENGINE SPEED (VES) Range from 0,5 – ≤ 2,5 Volt = VES is inactive Range from > 2,5 – 5 Volt = VES is standby Range from ≥ 5 – 15 Volt = VES is active between idle (1000 RPM) and 3000 RPM	D29 INPUT	n/a	n/a
6	3888	WALL CONNECTION when active starting the engine is inhibited.	D36 INPUT	AH	n/a
7	3889	SAFETY FEEDBACK when active in combination with body release function engine will stall.	D26 INPUT	AL	n/a
8	3890	HIGH RPM REQUEST Request signal from the superstructure to activate high RPM	D24 INPUT	n/a	n/a
9	3891	BODY SECURED Body secured signal from superstructure. 24V input.	D35 INPUT	n/a	n/a
10	3893	CLOSET OPEN Active at open closet via relay G351.	n/a	AH	n/a
11	3892	REMOTE START STOP The function will generate depending on the pulse (rising edge) of the switch an internal start or an internal stop signal depending on the engine speed condition.	C12 INPUT	AH	n/a
12	1258	KL15 15A, supply voltage 24 V, fuse E163.	SUPPLY	n/a	n/a
13	--	--	--	--	--
14	--	--	--	--	--
15	--	--	--	--	--
16	--	--	--	--	--
17	--	--	--	--	--
18	--	--	--	--	--

BODYBUILDERS' GUIDELINES

Electrical system

Pin	Wire	Description	BBM Pin INPUT / OUTPUT	Active Low ⁽¹⁾ Active High ⁽²⁾	Related CP in BBM unit
19	--	--	--	--	--
20	--	--	--	--	--
21	--	--	--	--	--

(1) AL = Active Low: function is activated if pin is grounded.

(2) AH = Active High: function is activated if pin is connection to battery plus (12V minimum).

21 Pole Connector Hydraulic Platform(125) feed through

Pin	Wire	Description	BBM Pin INPUT / OUTPUT	Active Low ⁽¹⁾ Active High ⁽²⁾	Related CP in BBM unit
1					
2					
3					
4					
5					
6					
7	1258	KL15 15A, supply voltage 24V, fuse E162.	(input)	n/a	(D26) ⁽³⁾
8					
9	1258	KL15 15A, supply voltage 24V, fuse E163.	(input)	n/a	(D35) ⁽³⁾
10					
11					
12	1258	KL15 15A, supply voltage 24V, fuse E163.	OUTPUT	n/a	n/a
13					
14					
15					
16					
17					
18					
19					
20					
21					

(1) AL = Active Low: function is activated if pin is grounded.

(2) AH = Active High: function is activated if pin is connection to battery plus (12V minimum).

(3) Feed through for testing end of line

Customer parameter list in BBM unit

Customer ⁽¹⁾ Parameter ID	Customer Parameter Name	Value (Recommended)
	PTO status out	
1-94	PTO input	NO PTO PTO 1 status PTO 2 status PTO 1 and 2 status

(1) For changing default parameter settings see chapter 7.52: "Guideline for the Customer Parameter Change Form"

	Engine running	
1-105	Engine running	ENABLED

	Remote engine start/stop parameters	
1-86	Engine start enable	ENABLED
1-87	Engine stop maximum speed	0 km/h

	Speed switches	
1-95	RPM switch	1400 Rpm
1-96	Vehicle speed switch 1	5 km/h
1-97	Vehicle speed switch 2	10 Km/h

	CVSG (Gauges)	
1-120	Coolant temperature	DISABLED
1-121	Oil pressure	DISABLED
1-122	Oil temperature	DISABLED
1-123	Fuel level	DISABLED
1-124	Transmission oil temperature	DISABLED
1-125	Air pressure circuit 1	DISABLED
1-126	Air pressure circuit 2	DISABLED

Customer parameter list in DMCI unit

Customer ⁽¹⁾ Parameter ID	Customer Parameter Name	Value (Recommended)
	LIMITERS	
2-10	Vmax APPLICATION SPEED	30 Km/h
2-11	vmax ESC	30 Km/h
2-37	TORQUE REDUCTION ESC	0 %
2-12	MAX. CRUISE CONTROL SPEED	85 Km/h

(1) For changing default parameter settings see chapter 7.52: "Guideline for the Customer Parameter Change Form"

BODYBUILDERS' GUIDELINES

Electrical system

	ENGINE SPEED CONTROL	
2-14	MAX. ESC-SPEED	1500 Rpm
2-15	MIN. ESC-SPEED	600 Rpm
2-18	ACCELERATION RAMP CONTINUOUS UP ESC	200 Rpm/s
2-19	ACCELERATION RAMP CONTINUOUS DOWN ESC	200 Rpm/s
2-20	ACCELERATE UP PER TIP	25 Rpm/tip
2-38	DEACCELERATE DOWN PER TIP	25 Rpm/tip
2-22	ACCELERATE FROM IDLE TO TARGET SPEED IN ESC	1000 Rpm/s
2-39	DEACCELERATE FROM TARGET SPEED IN ESC TO IDLE	1000 Rpm/s
2-16	ESC CAB N1	600 Rpm
2-17	ESC CAB N2	600 Rpm
2-28	ESC CHANGE APPLICATION CONN. N2	850 Rpm
2-29	ESC CHANGE APPLICATION CONN. N3	1100 Rpm

	ENGINE SPEED CONTROL CONDITIONS	
2-30	ACCEL. PEDAL	ACTIVE
2-31	MAX. RPM ACCEL. PEDAL	1500 Rpm
2-32	PARK BRAKE	NOT ACTIVE
2-33	BRAKE	NOT ACTIVE

Note:

Activating the auxiliary STOP input on pin 20, forces the body release output to be switch off. In case this function is used, the high RPM request coming from the body also has to be disabled.

Note:

On the majority of input and outputs diagnosis on short circuit to ground or +24V is carried out. In case pins of the 21pole connector are not used, it may result in an BBM warning on the dashboard display. Using pull-down resistors (1k Ω , ¼ Watt) to vehicle ground (in case of BBM reports error - short circuit to +24V) or pull-up resistors (1k Ω , ¼ Watt) to KL15 switched power supply (in case of BBM reports error - short circuit to ground) will solve the problem.

7.52 GUIDELINE FOR THE CUSTOMER PARAMETER CHANGE FORM

This information highlights the existence and purpose of the customer parameter change form(s) that can be used by bodybuilders to inform a DAF dealer of changes that have to be made in the customer parameter list in order to effectively store this information. Please note that the parameter change forms list only a few of the Customer Parameter ID's available within the different ECU units. Contact the DAF Dealer for more information.

Demonstrated in the illustration at the end of this section is that by completing the ID-card change procedure all changed parameter information will be stored in the DAF After Sales RAPIDO parts file system.

Purpose of the parameter change form

The customer parameter change form aims to support the communication between bodybuilder and DAF Dealer by providing a standardised form wherein all wishes and implemented changes can be documented and made ready for easy archiving into the After Sales RAPIDO parts file system.

Using the customer parameter change form is strongly advised to ensure that the service settings of these parameters are not lost and always available for the complete DAF service network.

Work method

DAF dealers, being the actual ECU programmers via the DAVIE-XD service analyzing tool, receive the completed parameter change form from the bodybuilder/customer. The here mentioned issues are to be considered before submitting the form:

- Choose the right parameter change form for the vehicle series at hand as both forms list different customer parameter ID's and ECU designations. The empty tables at the end of the parameter change form can be used for expanding the list of changes if needed.
The parameter change forms can be downloaded from the "Information Sheet" webpage that is part of the Bodybuilder webpages.
(The Internet URL for the corporate DAF website is: www.daf.com -> follow the main menu item: "Products" -> Bodybuilder guidelines webpage -> Information Sheet webpage).
- All parties involved should sign the parameter change form to confirm correct communication and programming of the ECU units and preferably store a copy of it at the dealership, the bodybuilder and in the serviced vehicle itself.
- It is strongly advised to add a detailed description of the changes that are proposed to enable better understanding of the chosen parameter settings/values by all parties. Important: DAF headquarters can archive your settings but will not evaluate the created parameter configuration; this remains at all time the responsibility of the DAF dealer and bodybuilder/customer.
- Enabling specific functionality may require changed values/settings for several customer parameters simultaneously within the same or possibly another ECU unit.
- Please use the "√" symbol to clearly indicate your choices.

ID-card change procedure

The changed parameter settings can be communicated to DAF headquarters by the DAF Dealer with the 'MESSAGE' form that is part of the After Sales RAPIDO parts file system. The submitted 'MESSAGE' form will initiate the RAPIDO database file update and distribution to the DAF dealer network.

Important:

- Changed customer parameter settings/values that are communicated to DAF will be stored in free text fields within the RAPIDO parts file system and DO NOT REPLACE the factory default parameter settings within the database file itself.
- During reprogramming of a ECU unit a choice must be made whether to overwrite **all** (changed and unchanged) customer parameters present in the ECU's with the default values as they were ex-factory or only **the unchanged** ones.

BODYBUILDERS' GUIDELINES

Electrical system

7

PART NUMBERS

	Page	Date
8.1 Mountings	359	200849
8.2 Flange bolts	362	200849
8.3 Electric connector parts	362	200849
8.4 Electric connector parts cabine (CF75-85 and XF Series)	364	200849
8.5 Electric cable contour lights chassis	365	200849
8.6 Extension piece for the LF mud guard	366	200849
8.7 Indication lamps	367	200849
8.8 Switches	368	200849
8.9 CVSG Gauges	368	200849
8.10 Adapters air system	369	200849
8.11 Lowered drawbar components	371	200849
8.12 Miscellaneous parts	373	200849

BODYBUILDERS' GUIDELINES

Part numbers

8

8. PART NUMBERS

8.1 MOUNTINGS

Part numbers

Tie rod		
Item	Part number	Quantity
A	1240928	1
B	1321533	1
C	1202089	1
D	0523917	1

Attachment plate		
Item	Part number	Quantity
A	0290591 ⁽¹⁾	1
B	1231056	3
C	1231051	3

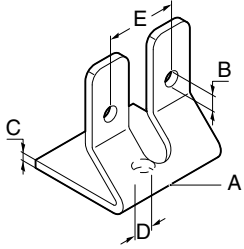
(1) Items A, B and C also available in set with DAF partnumber: 0370729.

Attachment plate		
Item	Part number	Quantity
A	0654833	1
B	1231064	3
C	1669590	3

BODYBUILDERS' GUIDELINES

Part numbers

Mounting bracket ⁽²⁾					
Set ⁽¹⁾	A	B	C	D	E
-	MAK8208	14	5	13	55
-	1212965	13	7	17	60
0591092	0290590	-	7	17	-
-	1403668	13	5	13	50

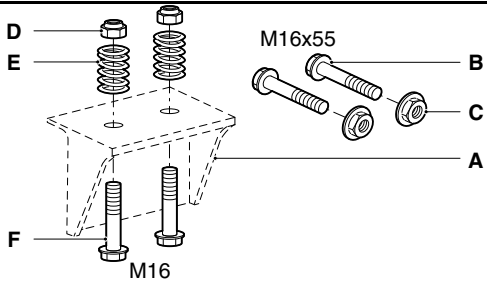


20070604-009

(1) Set = bracket with flange bolts and nuts.

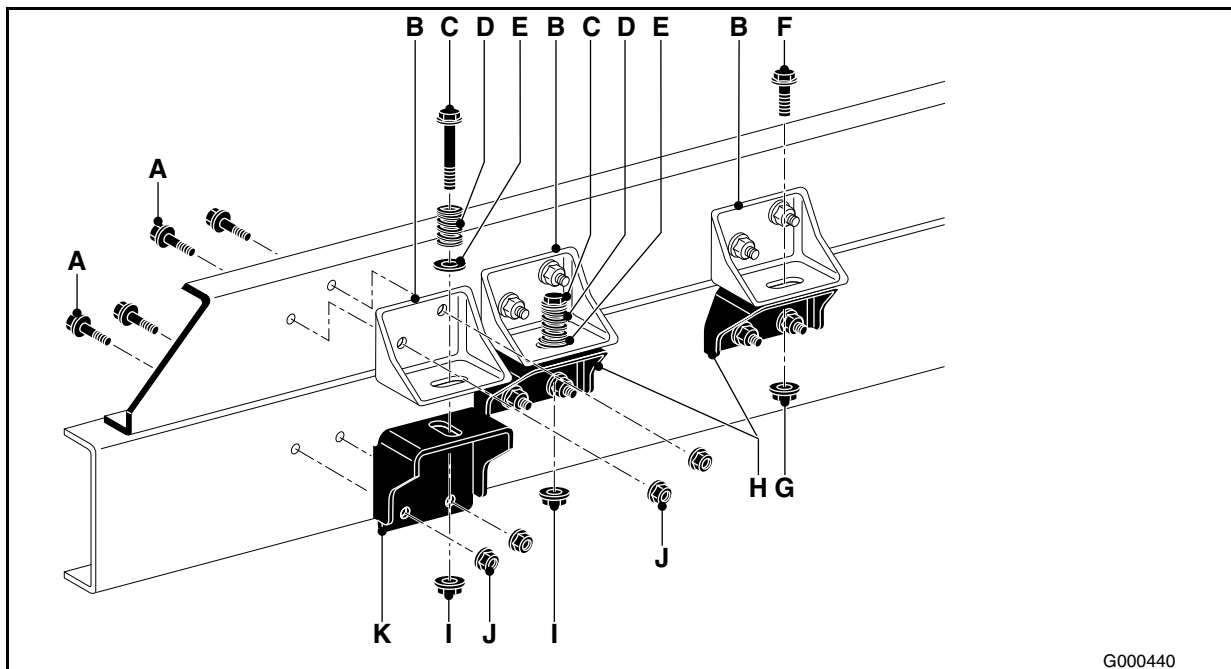
(2) For more information also see sub section "Tie rods" in: 3.2: "BAM's - body attachment methods"

Mounting console (for tanker)		
Item	Part number	Quantity
A	n/a	1
B	1231066	3
C	0282263	3
D	1243045	2
E	0274020	2
F	1321533	2

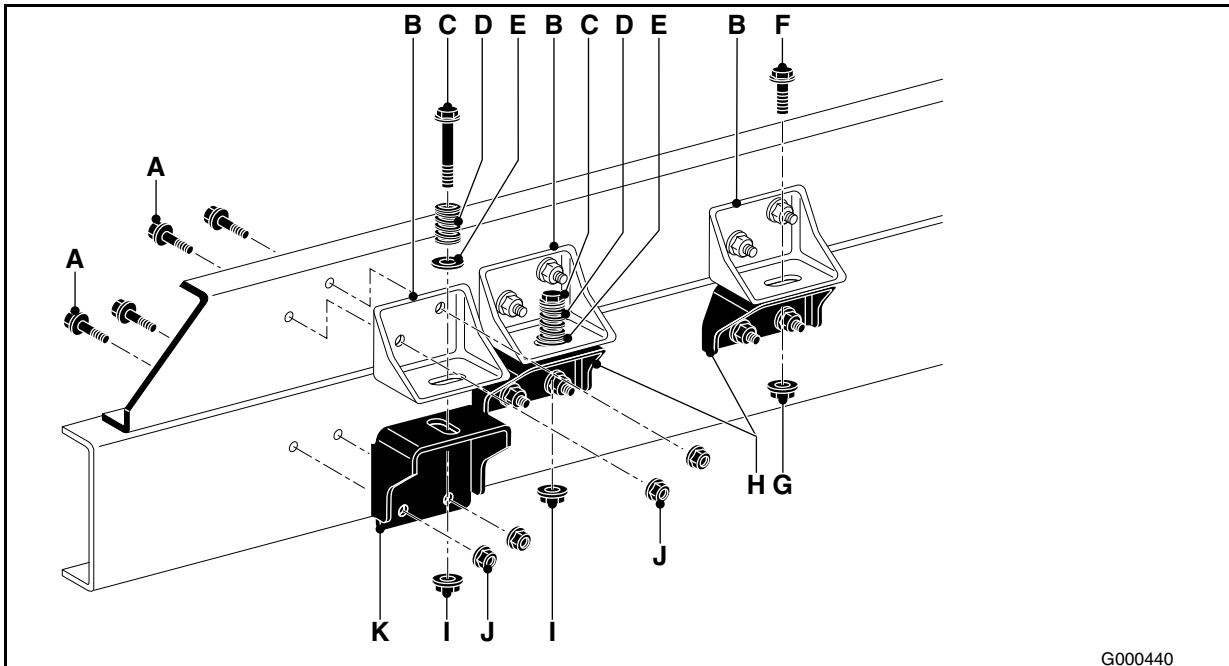


G000301

8



Item	Description	Quantity	Part number	Notes
A	Flanged bolt	x	1231054 1231055	M12-10.9 x 30 mm (single chassis frame) M12-10.9 x 35 mm (double chassis frame)
B	Console	2	1409881	Upper console for sub-frame
C	Flanged bolt	x	1243046	M16-10.9 x 110 mm



Item	Description	Quantity	Part number	Notes
D	Spring	x	0274020	
E	Washer	x	0640205	∅ 35 x 17 x 4 mm (295 - 350 HV)
F	Flanged bolt	x	1243050	M16-10.9 x 35 mm
G	Flanged nut	x	1231052	M16-10.9
H	Console	x	1409358	Console
I	Flanged nut	x	1321533	Prevailing torque M16 flanged nut
J	Flanged nut	x	1231051	M12-10.9
K	Console	x	1409372	Console

Chassis cross connecting member			
Item ⁽¹⁾	Part number	L [mm]	
A	1662797	766	
	1439638	776	

(1) Cross member assy to be installed with M16 flange bolts

Cab suspension springs in combination with top sleeper mounting, CF series

Cab type	Quantity	Part number	Cab suspension
Day cab	2	1265278	Front
	2	1451155	Rear

BODYBUILDERS' GUIDELINES

Part numbers

Sleeper Cab	2	1265278	Front
	2	1265272	Rear

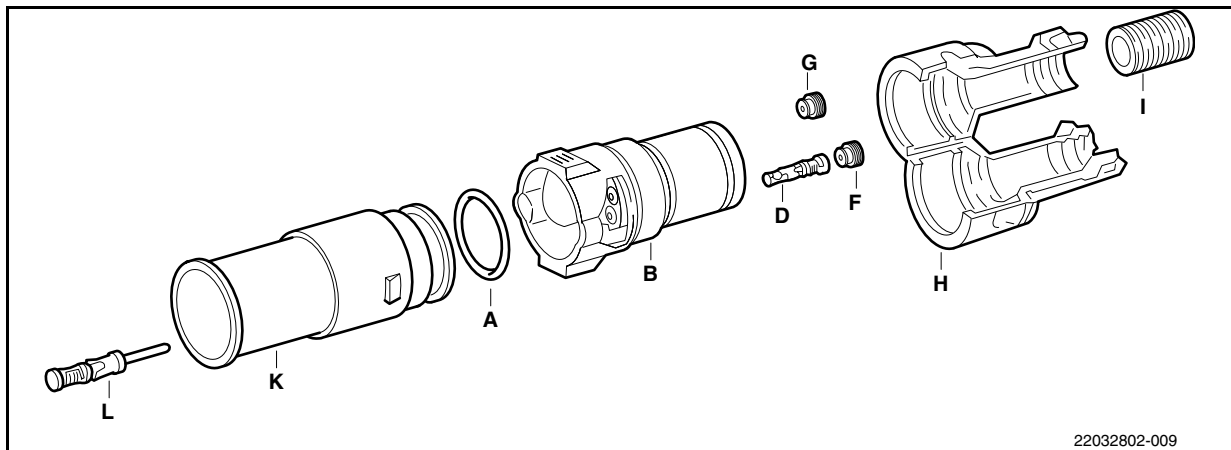
8.2 FLANGE BOLTS

<p>The property class of the flange bolts ⁽¹⁾ used in the chassis of the CF and XF Series is 10.9. The part numbers for the different length versions of these flange bolts are given in the table below.</p>							
a: Flange bolt property class 10.9	l = 30	l = 35	l = 40	l = 45	l = 50	l = 55	b: Flange nut property class 10
M12x1.75 (c: 5,25 mm)	1231054	1231055	1231056	1231057	1231058	1231059	1231051
M14x2 (c: 6,00 mm)	1243041	1243061	1243060	1243059	1243058	1243057	1243043
M16x2 (c: 6,00 mm)	-	1243050	1231063	1231064	1231065	1231066	1231052

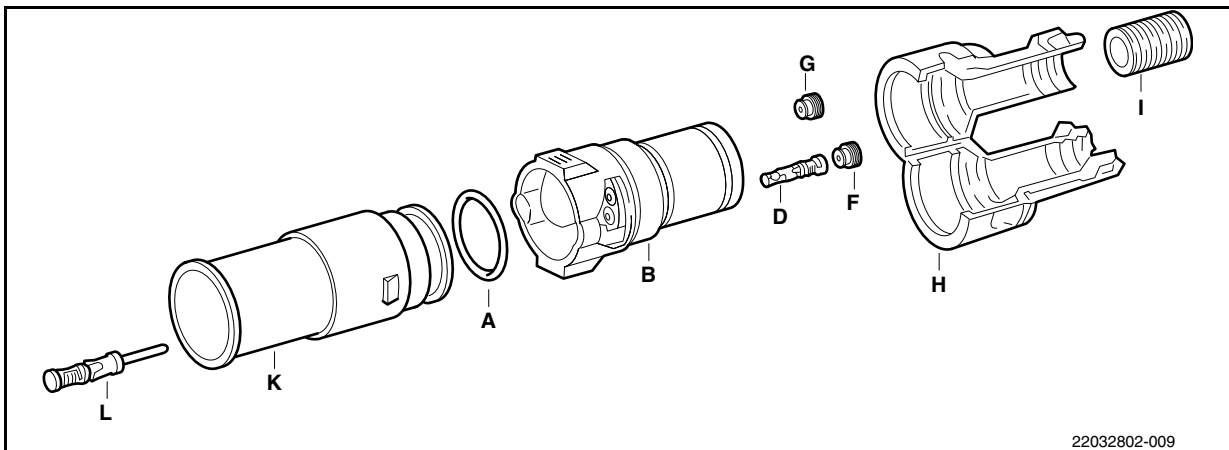
(1) For the flange bolt tightening torques, see section 2.6: "Attachment of components to the chassis".

8

8.3 ELECTRIC CONNECTOR PARTS



Item	Description	Quantity	Part number	Notes
A	Sealing ring	x	1305193	Blind sealing plug
B	Connector	1	1261638	4-pin connector housing
		1	1261636	8-pin connector housing
		1	1278100	12-pin connector housing
D	Contact pin	x	1261640	0.5 - 1.0 mm ²
		x	1267698	1.5 - 2.5 mm ²



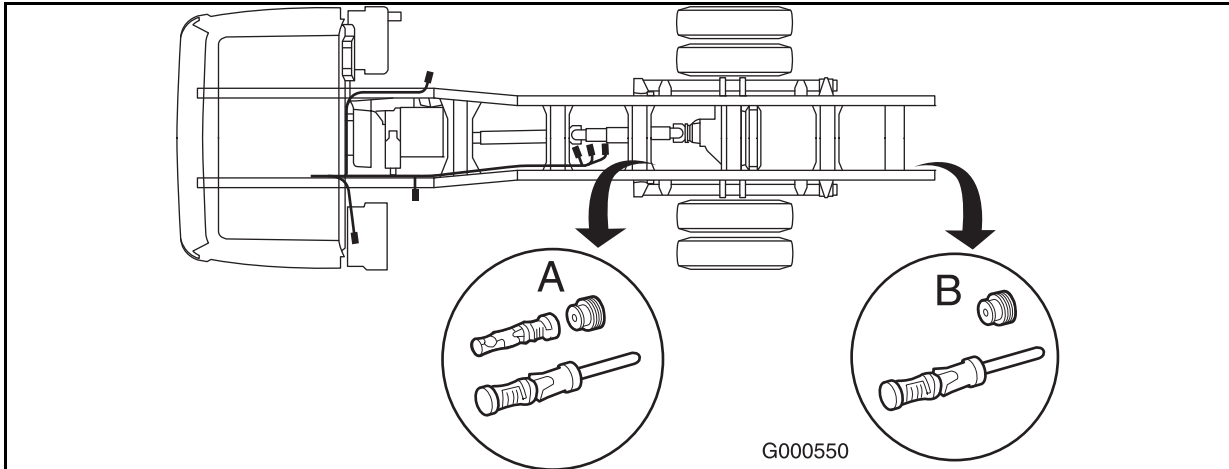
22032802-009

Item	Description	Quantity	Part number	Notes
F	Sealing plug	x	1258968	0.5 - 1.0 mm ²
		x	1258969	1.5 - 2.5 mm ²
G	Sealing plug	x	1258970	Blind sealing plug
H	Connector	1	1226724	For 4-pin connector and 10 mm hose (pos. I)
		1	1278520	For 8-pin connector and 13 mm hose (pos. I)
		1	1278099	For 12-pin connector and 17 mm hose (pos. I)
I	Protective hose	x	0090863	∅ 13 mm
		x	0090862	∅ 10 mm
		x	0090865	∅ 17 mm
K	Connector	1	1261637	For 4-pin connector
		1	1261635	For 8-pin connector
		1	1278101	For 12-pin connector
L	Contact pin	x	1261641	0.5 - 1.0 mm ²
		x	1267697	1.5 - 2.5 mm ²

BODYBUILDERS' GUIDELINES

Part numbers

Electrical contact kit supplied with the LF chassis



Kit	Description	Quantity	Part number	Notes
A (1)	Contact pin (female)	14	1261641	0.5 - 1.0 mm ²
		1	1267697	1.5 - 2.5 mm ²
	Contact pin (male)	5	1261640	0.5 - 1.0 mm ²
		3	1267698	1.5 - 2.5 mm ²
	Sealing plug	19	1258968	0.5 - 1.0 mm ² (color: blue)
4		1258969	1.5 - 2.5 mm ² (color: white)	
B (2)	Contact pin (male)	7	1261640	0.5 - 1.0 mm ²
		1	1267698	1.5 - 2.5 mm ²
	Sealing plug	7	1258968	0.5 - 1.0 mm ² (color: blue)
		1	1258969	1.5 - 2.5 mm ² (color: white)

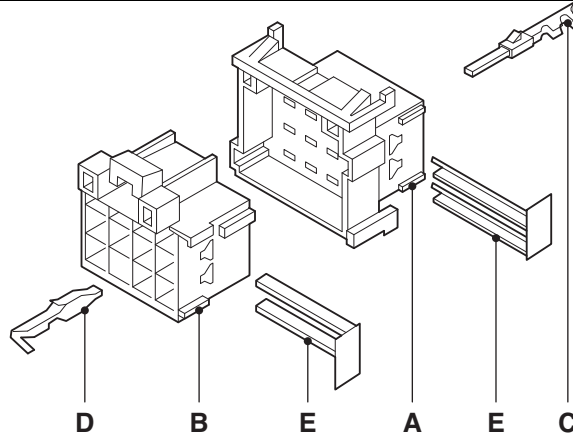
(1) kit A = plastic bag strapped against standard chassis wiringloom if chassis is ordered with the ESC system (= selection code 9231).

(2) kit B = plastic bag strapped against standard chassis wiringloom (always supplied).

8.4 ELECTRIC CONNECTOR PARTS CABINE (CF75-85 AND XF SERIES)

Cab / bulkhead connectors (CF75-85 and XF Series)

Cab connectors (male and female type); for pins see following table



connector (female type) A ⁽¹⁾					connector (male type) B ⁽¹⁾				
Qty of Pins	DAF number and color				Qty of Pins	DAF number and color			
	Grey	Blue	Yellow	Green		Grey	Blue	Yellow	Green
6	1313845	1313846	1313847	1354021	6	1306709	1315071	1315072	1364069
9	1312604	1312611	1313806	1365784	9	1306710	1313809	1313838	1364299
12	1312605	1312610	1313804	1354022	12	1306711	1313808	1313812	1364070
18	1312607	1312609	1313803	1354023	18	1306713	1313807	1313811	1364071
21	1312606	1312612	1313805	1354024	21	1306714	1313810	1313839	1364072

- (1) locking device E for connector with :
- 6 pins: 1317004
 - 9 pins: 1317005
 - 12 pins: 1317006
 - 18 pins: 1317008
 - 21 pins: 1317009

Pins to be used in:

connector C:	
JPT male contact for 0.5 - 1.0 mm wire diameter	1315076
JPT male contact for 0.5 - 1.0 mm wire diameter or 2x 1.0 mm diameter	1325801
Connector D:	
JPT female contact for 0.5 - 1.0 mm wire diameter	1315077
JPT female contact for 0.5 - 1.0 mm wire diameter or 2x 1.0 mm diameter	1315078

8.5 ELECTRIC CABLE CONTOUR LIGHTS CHASSIS

LF, CF and XF chassis

BODYBUILDERS' GUIDELINES

Part numbers

Electric cable			
Item	Part number	Total quantity of LED lights	
A (1)	1697589	4x	
	1697590 (illustrated)	6x	
	1697591	8x	
B	1731959	1x (color: amber)	<p>L₁ = 3000 mm L₂ = 4200 mm</p> <p>G000538</p>

(1) Part number = kit with 2 separate (identical) electric cables.

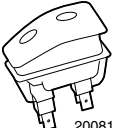












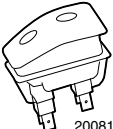
8.6 EXTENSION PIECE FOR THE LF MUD GUARD

Extension piece for the LF cab mud guard to enable repositioning of the indicator lights.

Extension piece (1)			
Item	Part number	Quantity	
A	1453911 (RH)	1	
	1453912 (LH)	1	
B	1453909 (RH)	1	
	1453910 (LH)	1	
C	1453913	2	<p>G000548</p>

(1) The approximate overall width over the cab mud guards is for: the LF45 = 2190mm; LF55 12-15t = 2350mm and LF55 18t = 2420mm. The standard wiring loom of the indicator lamps has sufficient length to allow repositioning.

8.7 INDICATION LAMPS

Drawing	Designation	Part number ⁽¹⁾	Lens colour
 20081102-003	Lamp holder (suitable for two lenses)	1395972	
 20070604-020	Loading crane not locked	1399886	Red
 20070604-021	Tail lift open	1399887	Red
 20070604-022	Doors in superstructure open	1399888	Red
 20070604-020	Loading crane active	1399889	Green
 20070604-021	Tail lift active	1399890	Green
 20070604-023	Lock not locked	1399891	Yellow
 20070604-024	PTO 2	1399892	Yellow
 20070604-025	Superstructure lighting	1399893	Yellow
 20070604-026	Spotlights	1399894	Yellow
 20070604-028	Rotating beam	1399895	Yellow
 20070604-027	Trailer lifting gear	1399768	Yellow
 DSYM0254	Tipper body up	1645053	Yellow
	Unmarked lens	0069816	Yellow
	Unmarked lens	0069817	Green
	Unmarked lens	0069818	Red
	Plug (in cases when only one lens is mounted)	1329779	Black
	Holder (Switch like shape) ⁽²⁾ (could be modified to carry a LED lamp)	1409558	-
 20081102-003	Holder + 1 LED Standard suited for 12 V With an additional resistor (470 Ohm) suitable for 24V	1427990	Red

(1) Part numbers suitable for switch locations in CF and XF dashboard and overhead console of the XF105 Super Space Cab.

(2) Part numbers suitable for switch locations in header shelf of LF chassis.

BODYBUILDERS' GUIDELINES

Part numbers

8.8 SWITCHES

Part number ⁽¹⁾	Number of Positions	Description	Colour
1435592	2	switch, on/off	Amber
1339010	2	switch, on/off	Green
1435600	2	switch, on/off with blocking (for PTO), spring-loaded	Amber
1366100	2	switch, on/off with blocking (for PTO), spring-loaded	Green
1435596	3	switch, on1/off/on2	Amber
1339014	3	switch, on1/off/on2	Green
1435597	3	switch, fog lamp, front (and rear)	Amber
1675749	2	switch, on/off + green LED for function indication (pin 9 & 10, 9=+24V)	Amber
1700905 ⁽²⁾	2	switch, on/off for rotating beacons	Amber
1700780 ⁽²⁾	3	switch, on1/off/on2 for sunroof hatch	Amber
1409968 ⁽²⁾	2	switch on/off for night heater	Amber
1322402		lens, PTO	No colour
1322399		lens, work lamp	No colour
1686102		lens, work lamp on roof. For CF and XF series (Comfort and Space cab only)	No colour
1686103		lens, work lamp on roof XF105 series (Super Space Cab only)	No colour

(1) Part numbers suitable for switch locations in the LF, CF and XF dashboard and overhead console of the XF105 Super Space Cab.

(2) Part numbers suitable for switch locations in the LF header shelf.

8

8.9 CVSG GAUGES

Gauges to be connected on the CVSG data communication bus of the BBM module. For electrical components see chapter 8.12: "Miscellaneous parts".

Metric units (supported by the BBM module)

DAF Part number	Internal reference	Description	Range
1736187	Q43-6002-201C	Primary air pressure	0 - 10 bar
1736188	Q43-6002-202C	Secondary air pressure	0 - 10 bar
1736190	Q43-6002-204C	Engine oil pressure	0 - 7 bar
1736191	Q43-6002-205C	Engine coolant temperature	40 - 120 °C
1736192	Q43-6002-206C	Engine oil temperature	40 - 150 °C
1736193	Q43-6002-207C	Main trans oil temperature	65 - 150 °C

Metric units (not supported by the BBM module)

DAF Part number	Internal reference	Description	Range
1736189	Q43-6002-203C	Application air pressure	0 - 10 bar
1736195	Q43-6002-216C	Transfer case oil temperature	40 - 150 °C

DAF Part number	Internal reference	Description	Range
1736196	Q43-6002-217C	General oil temperature	40 - 150 °C
1736197	Q43-6002-221C	PTO oil temperature	40 - 150 °C

Imperial units (supported by the BBM module)

DAF Part number	Internal reference	Description	Range
1736198	Q43-6002-101C	Primary air pressure	0 - 150 psi
1736207	Q43-6002-102C	Secondary air pressure	0 - 150 psi
1736209	Q43-6002-104C	Engine oil pressure	0 - 100 psi
1736210	Q43-6002-105C	Engine coolant temperature	100 - 250 °F
1736211	Q43-6002-106C	Engine oil temperature	100 - 300 °F
1736212	Q43-6002-107C	Main trans oil temperature	150 - 300 °F

Imperial units (not supported by the BBM module)

DAF Part number	Internal reference	Description	Range
1736208	Q43-6002-103C	Application air pressure	0 - 150 psi
1736213	Q43-6002-121C	PTO oil temperature	100 - 300 °F

General (not supported by the BBM module)

DAF Part number	Internal reference	Description	Range
1736214	Q20-1000	Clamping ring 52mm (pos 1)	
1736921	A2C53094855	Connector (pos 2)	
1736221	Not available yet	Engine RPM	0 - 3000 RPM
1736216	Q43-6002-118C	Fuel level #1	E - 1/2 - F
1736222	Not available yet	Voltmeter	18V-36V
1736217	Q43-6002-302C	Ampere	-150A - +150A
1736218	Q43-6002-301C	Hourmeter	0 - 999999 hours
1736219	Q43-6004-301C	Clock	Analog
1736220	Q43-6006-301C	Transmission display (Allison gear-box)	

8.10 ADAPTERS AIR SYSTEM

Screw-in adapter for straight and right-angled pipe fittings	
<p>NG12: ø 15 NG 8: ø 9,5</p> <p>22032802-025</p>	<p>NG12: ø15,3 SV232 NG 8: ø 9,8 SV232</p> <p>20070604-004</p>

BODYBUILDERS' GUIDELINES

Part numbers

Screw-in adapter for straight and right-angled pipe fittings				
Model B			Model A	
Type of connection	NG8	NG12	NG8 type SV232	NG12 type SV232
Screw thread	M16 x 1.5	M22 x 1.5	M16 x 1.5	M22 x 1.5
Adapter (A)	0090182	0537162	1377738	1377743
+ clip (B)	0090181	0537161	-	-
+ ring (C)	0090183	0537163	-	-

Straight and right-angled quick-release coupling (pipe fitting) ⁽¹⁾							
Air pipe diameter [mm]	Type of connection	Model A	Model B	Air pipe diameter [mm]	Type of connection	Model A	Model B
6 x 1	NG 8	0090286	1377739	6 x 1	NG 8	0090290	1377741
6 x 1	NG 12	0537169	1377744	6 x 1	NG 12	0537177	1377748
8 x 1	NG 8	1207062	1377757	8 x 1	NG 8	1207061	1377756
8 x 1	NG 12	0537170	1377745	8 x 1	NG 12	0537178	1377749
10 x 1.25	NG 12	0537176	1377747	10 x 1.25	NG 12	0537181	1377751
12 x 1.5	NG 12	0537175	1377746	12 x 1.5	NG 12	0537179	1377750
16 x 2	NG 12	1206819	1377740	16 x 2	NG 12	0090292	1377742

(1) See the product range documentation for any other models.

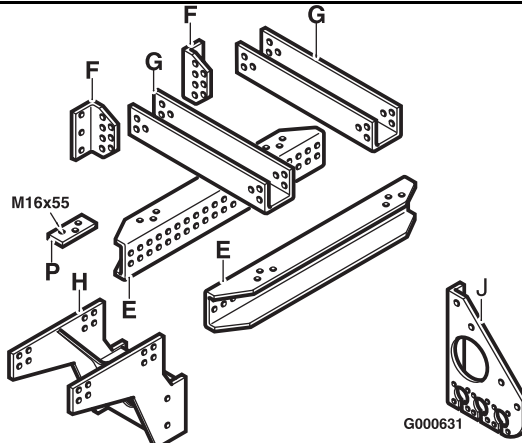
Straight and right-angled coupling (for LF series APU air governor)			
Air pipe diameter [mm]		Air pipe diameter [mm]	

Straight and right-angled coupling (for LF series APU air governor)			
6	1409391	6	1408395
8	-	8	1409686
10	1408340	10	1408507

Quick-release tee couplings for various applications	
<p>Tee coupling for: Governor/air distribution unit</p> <p>DAF number: 1377753</p>	
<p>For horn:</p> <p>DAF number: 0529656</p>	

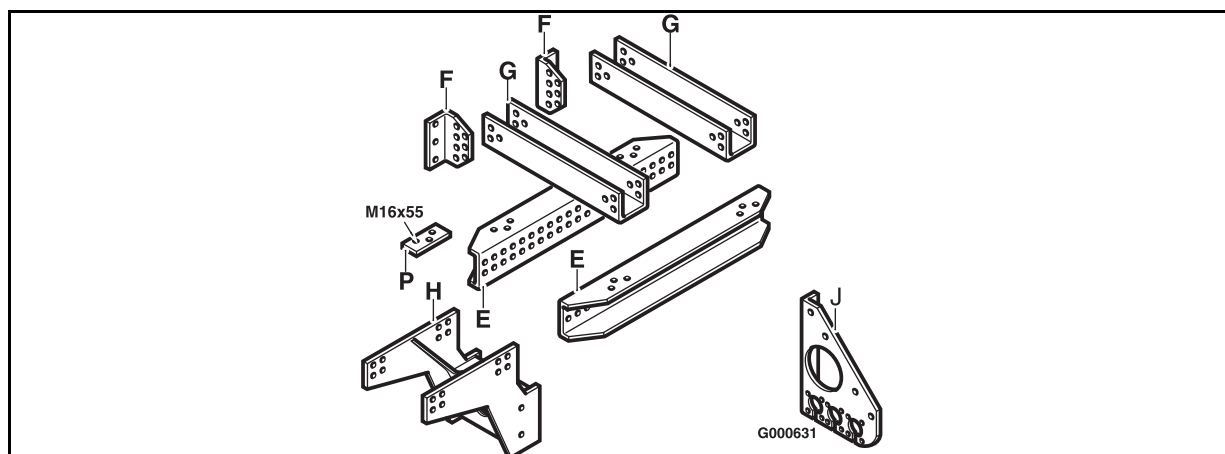
8.11 LOWERED DRAWBAR COMPONENTS

Item	Description	Quantity	Part number	Notes
E	U-shaped profile	2x	1396942	Profile length: 960mm (2x 19 holes)



BODYBUILDERS' GUIDELINES

Part numbers



Item	Description	Quantity	Part number	Notes
F	L-shaped support	x	1303464	Used in chassis with inner reinforcement at the rear. Chassis Selco: 4004 (7.0/VA) or 4005 (7.0/DL)
		x	1303465	
		x	1326987	Used in chassis without inner reinforcement at the rear. Chassis Selco: 4000 (7.0/00) or 4002 (7.0/V0)
		x	1326986	
G	Cross member	2x	1303469	U- shape profile
H	Support	1x	1434960	Carrier of drawbar coupling
J	Support	1x	1445143	Chassis support for air and electrical connectors
P	Plate	4x	1314647	Dimensions: 170x 65x 10 mm
-	Flanged nut	76x	1669590	M16 (class 10.9)
-	Flanged bolt	64x	1231064	M16 x 45 mm (class 10.9)
-		3x	1231065	M16 x 50 mm (class 10.9)
		12x	1231066	M16 x 55 mm (class 10.9)

8.12 MISCELLANEOUS PARTS

Chassis sections for chassis extensions: - 45 series 192 x 71 x 4.5 x 3000 - LF 45 series 192 x 66,5x 4.5 x 3000 180 x 47/62 x 4 x 3000 (inner reinforcement) - 55 series 260 x 75 x 6 x 3000 (inner radius: 14 mm) - LF 55 and CF65 ⁽¹⁾ series 260 x 75 x 6 x 3000 (inner radius: 12 mm) - CF65 ⁽²⁾, CF75, CF85 and XF series 260 x 75 x 7 x 3000 245 x 65 x 5 x 3600 (inner reinforcement) 310 x 75 x 7 x 3000 295 x 65 x 5 x 3000 (inner reinforcement) - CF85 and XF series 310 x 75 x 8.5 x 3000 292 x 65 x 8.5 x 3000 (inner reinforcement)	KF460 KF460 KF460 KF460 KF460 KF 375 KF 375 KF 375 KF 375 KF 375 KF 375	n/a 1425161 1455544 1308229 1674216 0513777 0668604 0513922 0513926 0793178 n/a
Fuel system: - Quick-release coupling for connecting extra fuel consumers to the fuel tank float. - Air pipe to be used if twin fuel tanks are mounted; length = 10 metres	8 mm PVC (∅ 8 mm internal)	1318421 1399869
Electrical system: Electrical components, converters - 24/12 volts converter - 24/12 volts converter Electrical components for connecting extra batteries - Diode - Mini control relay - Divider relay Electrical components for connecting CVSG gauges - Timer relay (relay switch off after 10 seconds) - Dc-DC converter	max. 10A max. 20A 24V; 20A 24V; 150A 24V; max. 5A 24V-12V / 10 Amp	1368353 1368354 0629678 1745069 1347161 1651907 1726283
PTO flanges: - Flange, 6-hole (DIN 75) for ZF PTO - Flange, 4-hole (DIN 90) for ZF PTO - Flange, 6-hole (DIN 100) for ZF PTO - Flange, 8-hole (DIN 120) for ZF PTO - Flange, 6-hole (DIN 100) for Chelsea PTO		0586358 0208296 0140796 0258518 1408266
Fifth wheel base plates: - Base plate (pre-drilled) ⇒ KA dimension adjustment pitches of 25 mm	Height 12 mm Height 26 mm Height 40 mm Height 80 mm Height 120 mm	1377195 1377193 1377192 1377186 (1x) 1377185 (1x) 1377592 (1x) 1377593 (1x)
- Fifth wheel base plate (pre-drilled) ⇒ 3 KA dimensions are possible: KA = 470, 520 and 570 mm	Height 12 mm (FT Low Deck)	1377194

BODYBUILDERS' GUIDELINES

Part numbers

- (1) CF65 chassis produced from week 0513 onwards (V.I.N. code: XLRAE65CC0E677039).
- (2) CF65 chassis produced up to and including week 0512.

REACTION FORM

	Page	Date
Feedback form.....	377	200849

BODYBUILDERS' GUIDELINES

Reaction form

9. REACTION FORM

Feedback form

To help maintain the present level of quality and user-friendliness of the DAF Bodybuilders' Guidelines and the information given in this manual, I would like to submit the following recommendations and/or suggestions.

Section:

.....
.....
.....
.....
.....
.....
.....
.....

Subject:

.....
.....
.....
.....
.....
.....
.....
.....

Suggestions:

.....
.....
.....
.....
.....
.....
.....
.....

Please send to:

DAF Trucks N.V.
Truck Logistics, Sales Engineering dept.
Building C0801100
Hugo van der Goeslaan
PO Box 90065
5600 PT
Eindhoven

Fax: +31 (0) 40 2143924

Sender:

.....
.....
.....
.....
.....
.....
.....
.....

BODYBUILDERS' GUIDELINES

Reaction form

No rights can be derived from this publication.
DAF Trucks N.V. reserves the right to change
product specifications without prior notice.
Products and services comply with the European
Directives effective at the time of sale but may
vary depending on the country in which you are located.
For the most recent information
contact your authorized DAF Dealer

DAF Trucks N.V.
Hugo van der Goeslaan 1
P.O. Box 90065
5600 PT Eindhoven
The Netherlands
Tel.: +31 (0) 40 21 49 111
Fax: +31 (0) 40 21 44 325
www.daf.com

driven by quality



Environmental
Management
System

DAF
A **PICCAR** COMPANY